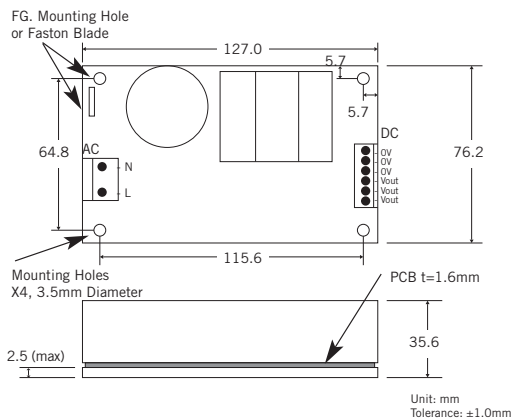


ALS50 Series

TUV Cert. No.: 50200771
UL File: E204980



50 Watt Single Output Open Frame Switching Power Supply for General Purpose Applications



:: Specifications (@25°C)

Input Characteristics

Input Voltage: 90 - 264 VAC / 120-370 VDC
 Input Frequency Range: 47 - 63 Hz
 Max Input Current: 1.0 / 0.5 A @ 110 / 220 VAC (max)
 Max Inrush Current: 30A @ 220 VAC (cold start)

Output Characteristics

Minimum Load: No minimum load
 Adjustable Output Range: ±10%
 Ripple/Noise (pk-pk 20MHz): 3.3/5/12/24 V = 50/75/120/240 mV
 Regulation: ±2.0% Load / ±1% Line
 Hold-up Time: 17 ms min, 100% Load @ 110 VAC
 Rise-up Time: 500 ms max @ 110 VAC
 Over Current Protection: >120% (Auto-recovery)
 Over Voltage Protection: >105% (Auto-recovery)

General Specifications

Dimension (LxWxH): 5.00 x 3.00 x 1.40" / 127 x 76.2 x 35.6 mm
 Weight: 300 g
 Warranty: 2 years

Environmental Specifications

Operating Temperature: 0~50°C Full Load, derate 3.0%/°C up to 60°C
 Storage Temperature: -25~+85°C
 Cooling: Convection Cooled Operation
 Humidity: 10~95% RH, non-condensing
 Vibration: 0 - 55 Hz, 2G 1min / cycle, period of 60min, each axis
 Reliability: >195,000 Hours MTBF

EMC & Safety Specifications

EMC Emissions: EN55022,VCCI,CISPR22 Class A (Conducted & Radiated); IEC-61000-4-2, 61000-4-4, 61000-4-5, 61000-4-11

Safety Approval: UL 60950 (UL File No: E204980)
 TUV EN60950 (TUV No: 50070245)

Dielectric Strength: Input-Output 3 kVAC / 1 min
 Input-Ground 2 kVAC / 1 min

Insulation Resistance: Output-Ground: >100 Mohm / 500 VDC

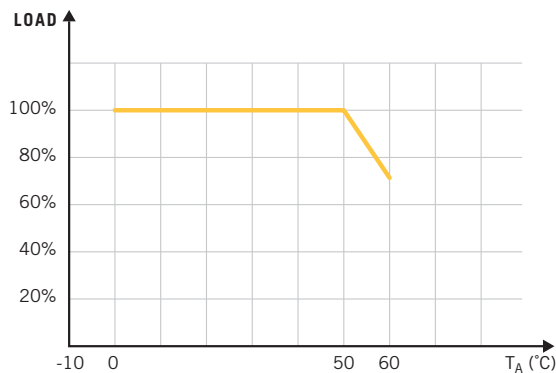
:: Connector Types

Input: Housing = Molex 09-50-3031 / Terminal = Molex 08-50-0105
 Output: Housing = Molex 09-50-3061 / Terminal = Molex 08-50-0105

:: Mounting Recommendation

7mm Standoff-spacers (X4)
 Located under Mounting-holes

:: Derating Curve



Part Number	Voltage	Current	Efficiency
ALS50-3.3	3.3V	9.1A	70%
ALS50-5	5.0V	9.0A	70%
ALS50-12	12V	4.2A	70%
ALS50-24	24V	2.1A	70%