

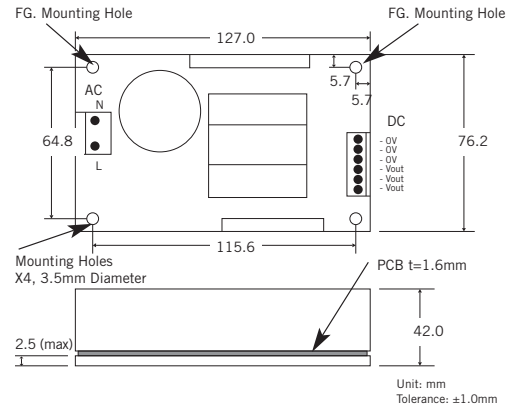
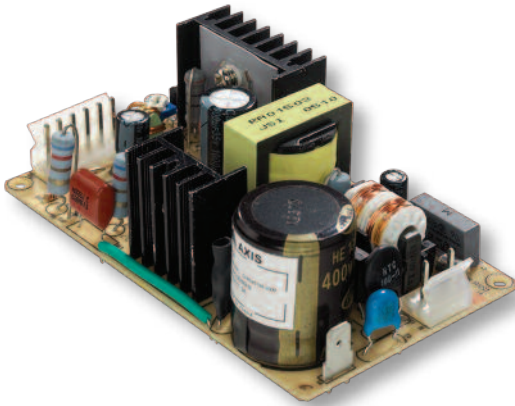
ALS75 Series

TUV Cert. No.: 50200771

UL File: E204980



75 Watt Single Output Open Frame Switching Power Supply for General Purpose Applications



:: Specifications (@25°C)

Input Characteristics

Input Voltage:	90 - 264 VAC / 120-370 VDC
Input Frequency Range:	47 - 63 Hz
Max Input Current:	1.8 / 0.9 A @ 110 / 220 VAC (max)
Max Inrush Current:	30 A @ 220 VAC (cold start)

Output Characteristics

Minimum Load:	No minimum load
Adjustable Output Range:	±10%
Ripple/Noise (pk-pk 20MHz):	100 mv
Regulation:	±2.0% Load / ±1% Line
Hold-up Time:	17 ms min, 100% Load @ 110 VAC
Rise-up Time:	500 ms max @ 110 VAC
Over Current Protection:	>120%, recycle AC to reset
Over Voltage Protection:	>105% (Zener Diode)

General Specifications

Dimension (LxWxH):	5.00 x 3.00 x 1.40" / 127 x 76.2 x 35.6 mm
Weight:	350 g
Warranty:	2 years

Environmental Specifications

Operating Temperature:	0~50°C Full Load, derate 3.0%/°C up to 60°C
Storage Temperature:	-25~+85°C
Cooling:	Convection Cooled Operation
Humidity:	30~90% RH, non-condensing
Vibration:	0 - 55 Hz, 2G 1 min / cycle, period of 60 min, each axis
Reliability:	>186,000 Hours MTBF

EMC & Safety Specifications

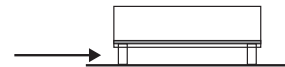
EMC Emissions:	EN55022,VCCI,CISPR22 Class A (Conducted & Radiated); IEC-61000-4-2, 61000-4-4, 61000-4-5, 61000-4-11
Safety Approval:	UL 60950 (UL File No: E204980) TUV EN60950 (TUV No: 50070245)
Dielectric Strength:	Input-Output 3 kVAC / 1 min Input-Ground 2 kVAC / 1 min
Insulation Resistance:	Output-Ground: >100M ohm / 500 VDC

:: Connector Types

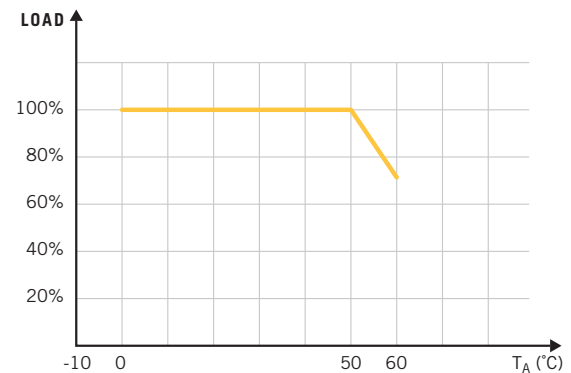
Input: Housing = Molex 09-50-3031 / Terminal = Molex 08-50-0105
Output: Housing = Molex 09-50-3061 / Terminal = Molex 08-50-0105

:: Mounting Recommendation

7mm Standoff-spacers (X4)
Located under Mounting-holes



:: Derating Curve



Part Number	Voltage	Current	Efficiency
ALS75-3.3	3.3V	12A	70%
ALS75-5	5.0V	12A	70%
ALS75-12	12V	6.2A	70%
ALS75-24	24V	3.1A	70%