

Commercial CCR-33M 75 Ohm DC-3GHz SPDT Switch Latching

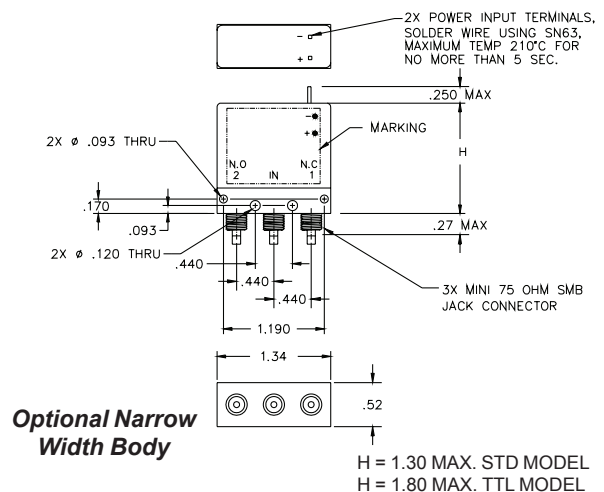
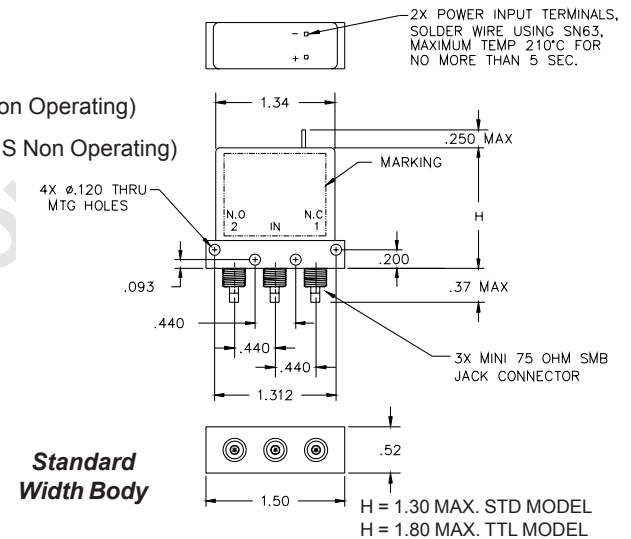
The CCR-33M switch is the first of its series, expanding our product line to include 75-Ohm designs. This SPDT is designed for optimum performance in 75-Ohm applications switching signals from a common input to either of two outputs. The characteristic impedance is 75 Ohms. The switches are small with connector spacing compatible with mini-SMB connectors.

The CCR-33M series switch is offered with either a failsafe or latching actuator. This design is compatible with the two most common mounting hole patterns.

Specifications

RF Contacts:	Break before make			
Actuator	Voltage (VDC) 20°C	12	15	28
	Current (mA)	140	115	65
Switching Time:	10 msec max			
Connectors:	mini-SMB 75 Ohm Jack. In accordance with IEC 169-10, CECC 22 130,			
	US MIL-C-39012			
Weight:	1.65 oz. max			
Temperature Range:	-40°C to +65°C (Operating)			
Shock:	MIL-STD-202 Method 213, Condition D (500G Non Operating)			
Vibration:	MIL-STD-202 Method 214, Condition D (10G RMS Non Operating)			
Humidity:	Moisture Seal Available			
MTBF:	7.3 Million Hours			
	(MIL-HDBK-217F Fixed, 25°C, <1 Cycle per hour)			

Specifications	DC-1 GHz	1-3 GHz
VSWR (max)	1.20:1	1.30:1
Insertion Loss (min)	0.20 dB	0.30 dB
Isolation (max)	80.0 dB	70.0 dB

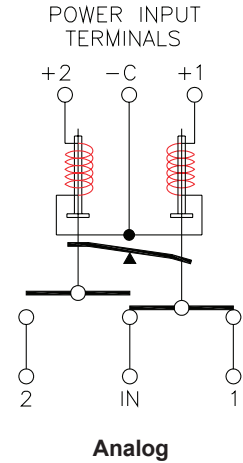
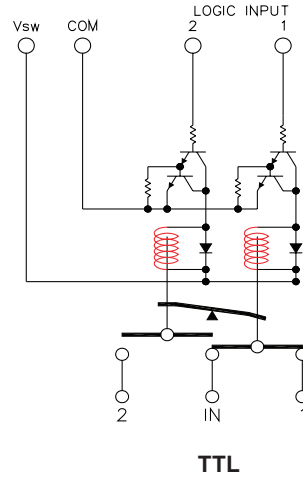
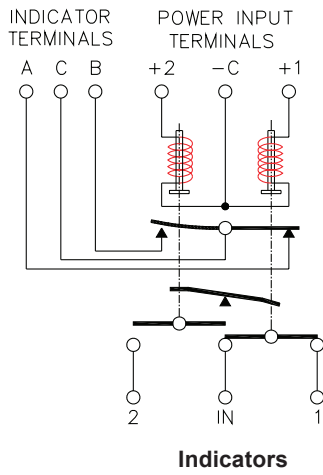


Specifications subject to change without notice.

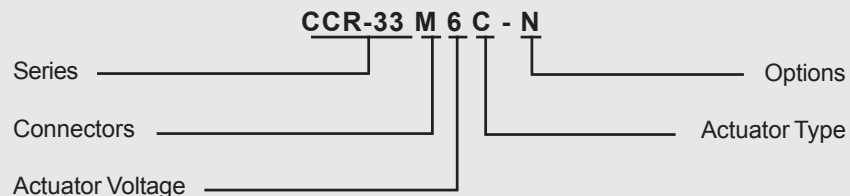
www.teledynecoax.com
email: coax@teledyne.com

Tel: (800) 351-7368
10/2007

Commercial CCR-33M 75 Ohm DC-3GHz SPDT Switch Latching



Part Numbering System for CCR-33M (Latching)



Connector

M: mini-SMB Female #

Actuator Voltage

6: 28Vdc Latching #
7: 15Vdc Latching
8: 12Vdc Latching

Actuator Type

O: No Indicator Contacts #
C: Indicator Contacts
D: Self Cutoff Only
E: Indicators and Self Cutoff

Options

T: TTL Drivers with Diodes
N: Narrow Body
R: Positive + Common

For other options contact Factory

#: Stock item subject to prior sale