



# Commercial CCR-53

## Miniature DC-26.5GHz SPDT Switch

### Failsafe

The CCR-53 Switch is a broadband, SPDT, electromechanical, coaxial switch designed to switch a microwave signal from a common input to either of two outputs. The characteristic impedance is 50 Ohms. The switches are small with connector spacing compatible with SMA connectors.

The CCR-53 series switch is offered with either a failsafe or latching actuator. This design is compatible with the two most common mounting hole patterns. The CCR-53 series switch is interchangeable with a variety of switches.

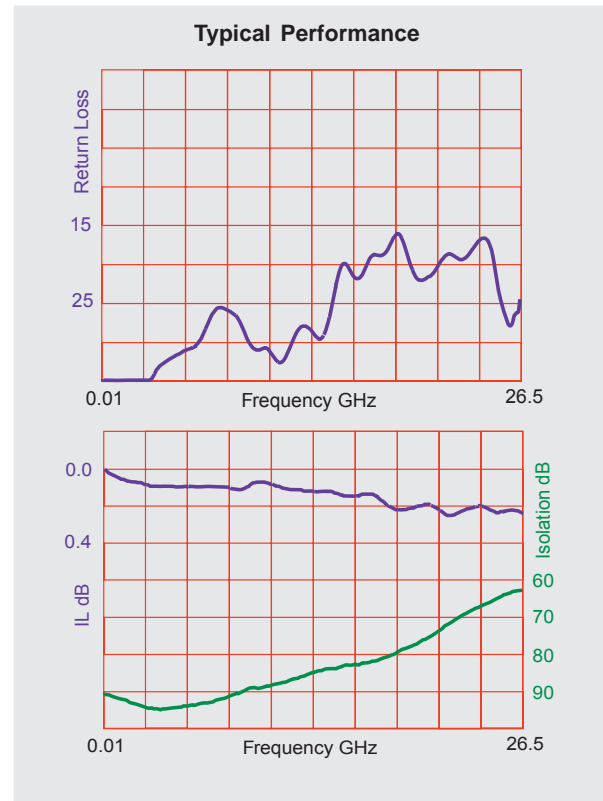
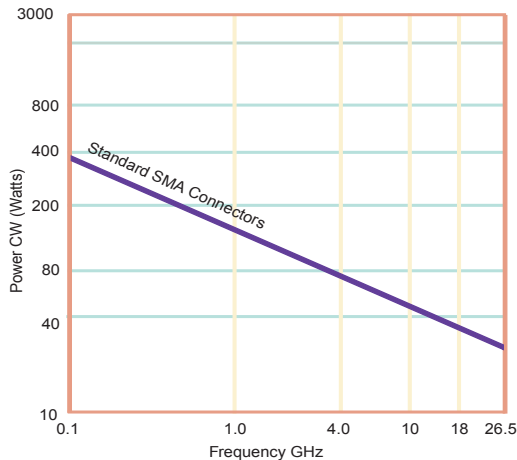
#### Specifications

<b>RF Contacts:</b>	Break before make			
<b>Actuator</b>	Voltage (VDC) 20°C	12	15	28
	Current (mA)	200	160	90
<b>Switching Time:</b>	20 msec max			
<b>Connectors:</b>	SMA (f)			
<b>Weight:</b>	1.65 oz. max			
<b>Temperature Range:</b>	-40°C to +65°C (Operating)			
<b>Shock:</b>	MIL-STD-202 Method 213, Condition D (500G Non Operating)			
<b>Vibration:</b>	MIL-STD-202 Method 214, Condition D (10G RMS Non Operating)			
<b>Humidity:</b>	Moisture Seal Available			
<b>Typical Contact Life:</b>	5 Million Cycles			
<b>RF Power Handling</b>				

Insertion Loss Repeatability (1 Million Cycles):

DC to 6 GHz: 0.05 dB

DC to 20 GHz: 0.1 dB



Specifications	DC-6 GHz	6-12 GHz	12-18 GHz	18-26.5GHz
VSWR (max)	1.25:1	1.40:1	1.50:1	1.80:1
Insertion Loss (max)	0.20 dB	0.40 dB	0.50 dB	0.70 dB
Isolation (min)	70.0 dB	60.0 dB	60.0 dB	50.0 dB



Specifications subject to change without notice.

www.teledynecoax.com  
email: coax@teledyne.com

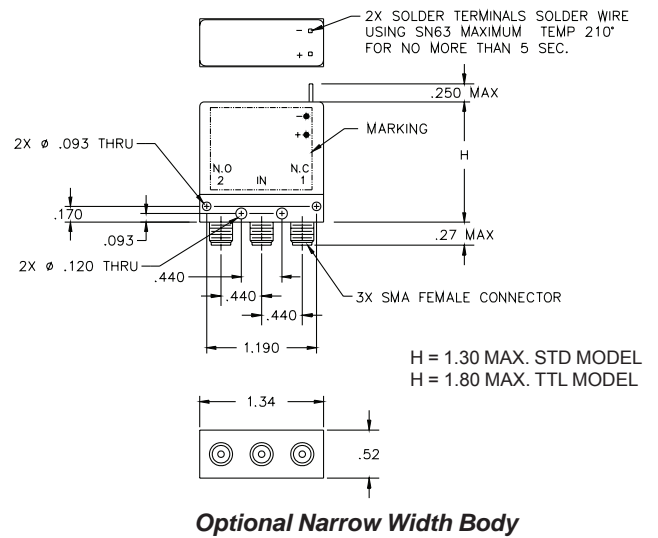
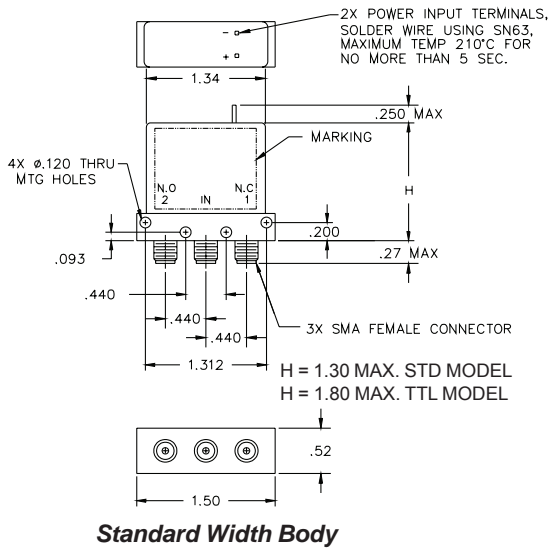
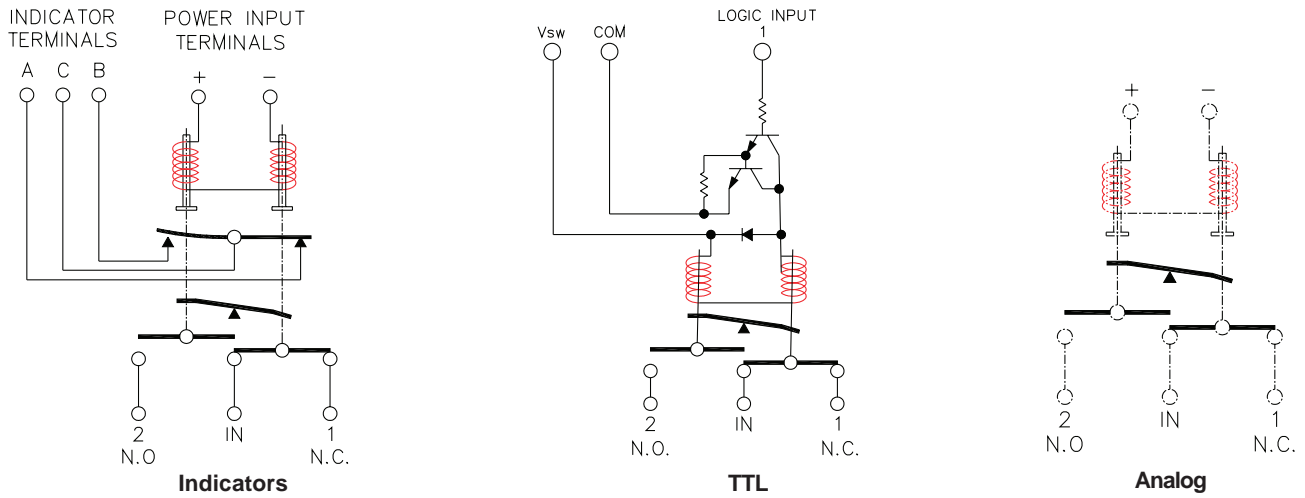
Tel: (800) 351-7368

10/2007

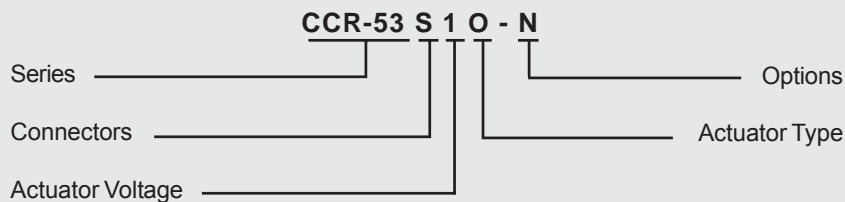
# Commercial CCR-53

## Miniature DC-26.5GHz SPDT Switch

### Failsafe



### Part Numbering System for CCR-53 (Failsafe)



**Connector**  
S: SMA Female #

**Actuator Voltage**  
1: 28Vdc Failsafe #  
2: 15Vdc Failsafe #  
3: 12Vdc Failsafe #

**Actuator Type**  
O: No Indicator Contacts #  
C: Indicator Contacts #

**Options**  
T: TTL Drivers with Diodes  
N: Narrow Body #  
R: Positive + Common

For other options contact Factory

#: Stock item subject to prior sale



Specifications subject to change without notice.

www.teledynecoax.com  
email: coax@teledyne.com

Tel: (800) 351-7368  
10/2007