

Interfaces

External Hinged Connector Interfaces — Deutsch® DT Series

Our single-junction straight and 90° elbow fittings provide high-integrity connections between Deutsch® DT connectors and Harnessflex® conduit systems.

These fittings are designed to snap together over all types of slit and unslit conduit, thus maintaining maximum conduit bore.

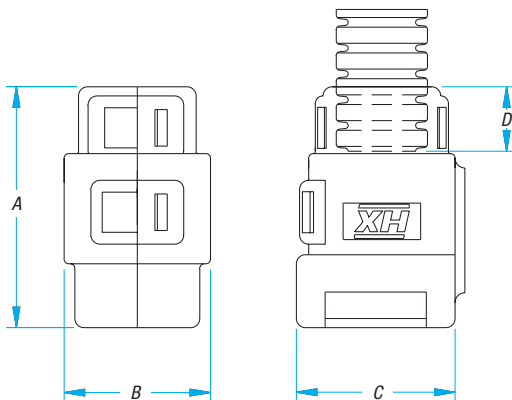
In addition, 90° elbow versions allow the conduit to swivel 360° around the connector housing, sufficient to avoid the problems associated with one-piece interfaces of overflexing due to movement or vibration.

The functionality of a connector when attached to a Harnessflex® product depends on the application, installation and operational criteria determined by the user.

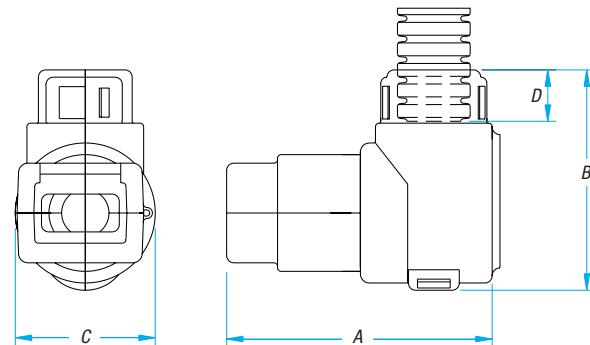
For connector part number reference table, see **page 50**.

NEW

Swivel elbows for NC16 (NW13) are now available for all connector interfaces. Contact Thomas & Betts Technical Support for full details.



Straight Connector



90° Connector

Configurations

| CAT. NO. STRAIGHT INTERFACE | CAT. NO. 90° ELBOW SWIVEL INTERFACE | CONDUIT SIZE | | CONNECTOR TYPE |
|-----------------------------------|---|--------------|------|----------------|
| | | (NC) | (NW) | |
| CI08-DT2 | CI08-90-DT2 | 08 | 7.5 | 2-Way |
| CI08-DT3 | CI08-90-DT3 | 08 | 7.5 | 3-Way |
| CI08-DT4 | CI08-90-DT4 | 08 | 7.5 | 4-Way |
| CI08-DT6 | CI08-90-DT6 | 08 | 7.5 | 6-Way |
| CI12-DT2 | CI12-90-DT2 | 12 | 10 | 2-Way |
| CI12-DT3 | CI12-90-DT3 | 12 | 10 | 3-Way |
| CI12-DT4 | CI12-90-DT4 | 12 | 10 | 4-Way |
| CI12-DT6 | CI12-90-DT6 | 12 | 10 | 6-Way |
| CI12-DT8 | CI12-90-DT8 | 12 | 10 | 8-Way |
| — | CI12-90-DT12 | 12 | 10 | 12-Way |
| — | CI16-90-DT8 | 16 | 13 | 8-Way |
| CI16-DT12 | CI16-90-DT12 | 16 | 13 | 12-Way |

Nominal Dimensions

| CAT. NO. STRAIGHT INTERFACE | DIMENSIONS (MM) | | | | CAT. NO. 90° ELBOW SWIVEL INTERFACE | DIMENSIONS (MM) | | | |
|-----------------------------------|-----------------|----|----|----|--|-----------------|----|----|----|
| | A | B | C | D | | A | B | C | D |
| CI08-DT2 | 26 | 16 | 18 | 7 | CI08-90-DT2 | 36 | 30 | 19 | 7 |
| CI08-DT3 | 30 | 22 | 24 | 12 | CI08-90-DT3 | 44 | 30 | 23 | 7 |
| CI08-DT4 | 42 | 18 | 27 | 12 | CI08-90-DT4 | 48 | 30 | 25 | 7 |
| CI08-DT6 | 42 | 22 | 27 | 12 | CI08-90-DT6 | 48 | 34 | 25 | 7 |
| CI12-DT2 | 26 | 16 | 18 | 7 | CI12-90-DT2 | 36 | 30 | 19 | 7 |
| CI12-DT3 | 29 | 22 | 24 | 7 | CI12-90-DT3 | 44 | 30 | 23 | 7 |
| CI12-DT4 | 40 | 18 | 27 | 7 | CI12-90-DT4 | 48 | 30 | 25 | 7 |
| CI12-DT6 | 40 | 22 | 27 | 10 | CI12-90-DT6 | 48 | 34 | 25 | 7 |
| CI12-DT8 | 40 | 25 | 30 | 10 | CI12-90-DT8 | 63 | 37 | 30 | 10 |
| — | — | — | — | — | CI12-90-DT12 | 68 | 36 | 38 | 10 |
| — | — | — | — | — | CI16-90-DT8 | 63 | 37 | 30 | 10 |
| CI16-DT12 | 44 | 24 | 40 | 10 | CI16-90-DT12 | 68 | 36 | 38 | 10 |

Deutsch is a registered trademark of Deutsch Group.

Interfaces

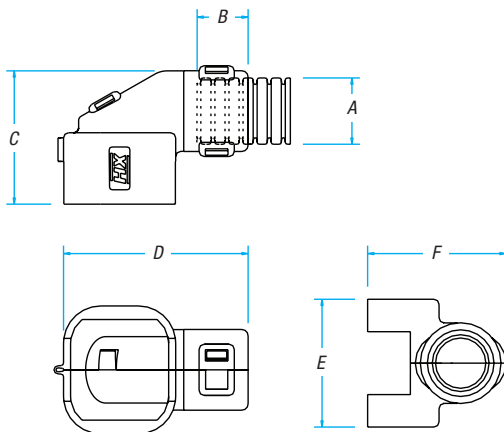
External Hinged Connector Interfaces — Deutsch® DTP04 Series

Our compact 90° elbow fittings provide a dual orientation high-integrity connection between the Deutsch® DTP04 and Harnessflex® conduit systems.

These fittings are designed to snap together over all types of slit and unslit conduit, thus maintaining maximum conduit bore.

The 16-90-DTP04 adapter will snap into the outlet of a 16mm hinged fitting, including types “Y” (YPS), “T” (TPS), elbows (EPS) and joiners (JPS).

For connector catalog number reference table, see **page 50**.

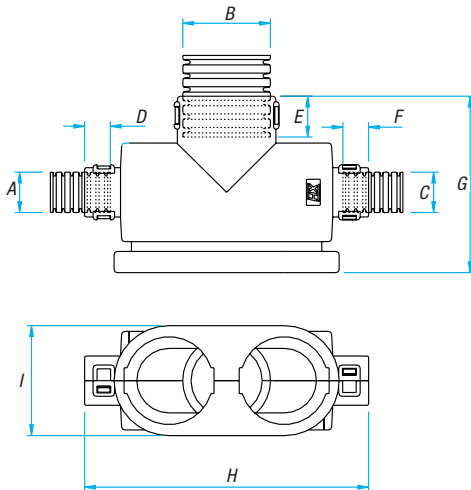


| CAT. NO. | CONDUIT SIZE A | | NOMINAL DIMENSIONS (MM) | | | | |
|---------------|----------------|------|-------------------------|----|----|----|----|
| | (NC) | (NW) | B | C | D | E | F |
| C112-90-DTP04 | 12 | 7.5 | 10 | 27 | 37 | 25 | 28 |
| 16-90-DTP04 | — | — | — | 27 | 35 | 25 | 27 |

External Hinged Connector Interfaces — Deutsch® DRC50 Series

Two identical half shells snap together onto the twin outlets of the Deutsch® DRC50 interface, creating a three-way conduit fitting.

These fittings are designed to snap together over all types of slit and unslit conduit, thus maintaining maximum conduit bore.



| CAT. NO. | CONDUIT SIZES | | | | | | | | | | | |
|----------------|---------------|----|----|------|----|----|-------------------------|----|----|----|----|----|
| | (NC) | | | (NW) | | | NOMINAL DIMENSIONS (MM) | | | | | |
| | A | B | C | A | B | C | D | E | F | G | H | I |
| C1121212-DRC50 | 12 | 12 | 12 | 10 | 10 | 10 | 8 | 8 | 8 | 50 | 92 | 36 |
| C1122812-DRC50 | 12 | 28 | 12 | 10 | 23 | 10 | 8 | 10 | 8 | 58 | 92 | 36 |
| C1201220-DRC50 | 20 | 12 | 20 | 17 | 10 | 17 | 10 | 8 | 10 | 50 | 92 | 36 |
| C1202820-DRC50 | 20 | 28 | 20 | 17 | 23 | 17 | 10 | 10 | 10 | 58 | 92 | 36 |
| C1251225-DRC50 | 25 | 12 | 25 | 22 | 10 | 22 | 10 | 8 | 10 | 50 | 92 | 36 |
| C1252825-DRC50 | 25 | 28 | 25 | 22 | 23 | 22 | 10 | 10 | 10 | 58 | 92 | 36 |

Deutsch is a registered trademark of Deutsch Group.