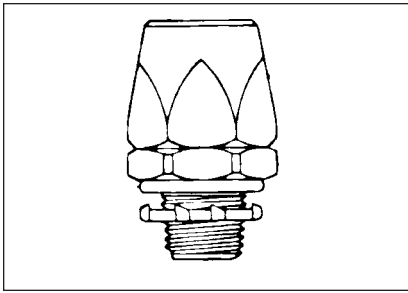


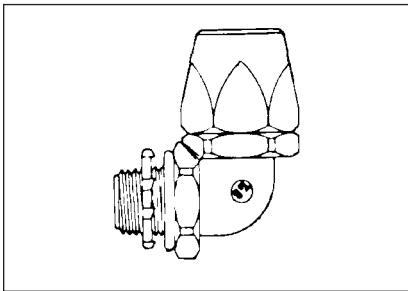
T&B Conduit Fittings

Liquidtight Flexible Nonmetallic Conduit Fittings

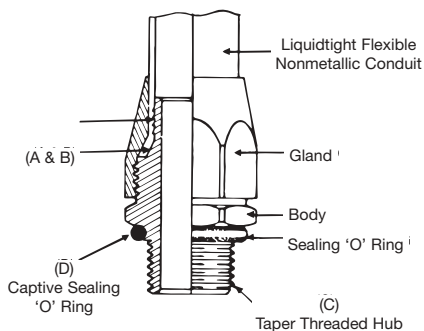
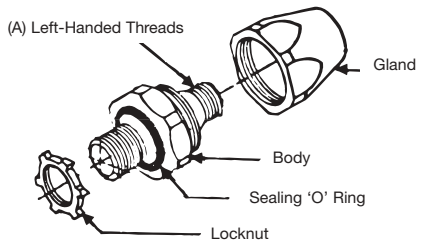
Specifications—Type A Conduit Fittings



Series 6302
Liquidtight Flexible Nonmetallic
Conduit Fittings



Series 6322
Liquidtight Flexible Nonmetallic
Conduit Fittings



Application

- To provide a liquidtight, dusttight connection between flexible, nonmetallic conduit and a box or an enclosure.

Features

- Serrated design provides high mechanical pullout strength (A).
- Unique component parts (body/gland) design insures positive seal between conduit and fitting (B).
- Tapered thread hub and sealing 'O' ring provide a liquidtight/dust tight seal to a box or an enclosure (C).
- High strength, chemical resistant, nonburning, nondripping thermoplastic construction.
- Smooth insulated body throughout for maximum dielectric strength.
- Captive 'O' ring and reduced number of parts save installation time (D).

Standard Material

Body	Thermoplastic
Gland	Thermoplastic
'O' Ring	Neoprene
Locknut	Steel (Case Hardened)

Standard Finish

Body, Gland & 'O' Ring	As Molded
Locknut	Electro Zinc

Range

- Conduit Size 1/2" thru 1-1/4"
- Hub Size 1/2" thru 1-1/4" N.P.T.

Suggested Specifications for Type A Conduit and Fittings

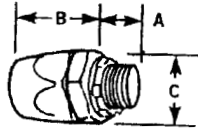
- Type A Liquidtight Flexible Nonmetallic Conduit shall be seamless type adequately reinforced with one or more layers of flexible braided reinforcing cords. Conduit jacket shall be of non-kinking oil resistant/water resistant flame retardant material suitable for ambient environmental conditions.
- Where Type A Flexible Nonmetallic Conduit terminates into a threaded or threadless opening, the conduit shall be cut square, deburred, installed with sufficient slack to reduce effects of vibration and assembled with approved fittings such as series 6302 or 3720 manufactured by

Thomas & Betts. Fittings shall be of malleable iron/steel/thermoplastic construction with taper-threaded hub and:

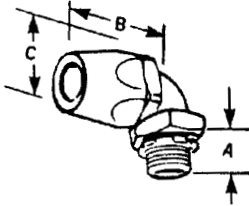
- (1) Ferrous metallic fittings shall be electro-zinc plated inside outside and equipped with a nylon insulated throat.
- (2) Thermoplastic fittings shall be of high impact chemical resistant, nonburning, nondripping thermoplastic.
- (3) Fittings shall be provided with a captive, moisture resistant/oil resistant synthetic rubber gasket.

T&B Conduit Fittings

Liquidtight Flexible Nonmetallic Conduit Fittings



Straight Fitting

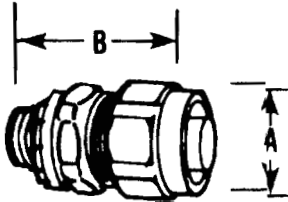


90° Angle Fitting

Designed especially for the Type A, all-plastic raceways now in use for dynamic machine tool applications.

Fittings are constructed of a high-strength, chemically resistant thermoplastic tougher than the raceway itself.

Neoprene sealing ring is furnished with fitting providing a liquidtight seal for knockout applications.



- Nylon insulated throat.
- T&B Sealing Ring to seal knockouts.
- Steel or malleable iron.
- U.L. Listed.
- NPT hub threads to seal in female threads.
- High mechanical pull-out strength.
- Provides positive seal against water, oil and dust.

Thermoplastic Fittings for Liquidtight Flexible Nonmetallic Conduit Type A



Cat. No.	Conduit Size	Dimensions (in.)		
		A	B	C Cross Corners
Straight Fitting				
6302	1/2"	.60	1.68	1.48
6303	3/4"	.61	1.85	1.76
6304	1"	.77	1.89	2.10
6305	1-1/4"	.79	2.30	2.67
90° Angle Fitting				
6322	1/2"	.60	1.56	1.48
6323	3/4"	.61	1.74	1.76
6324	1"	.77	1.78	2.10
6325	1-1/4"	.79	2.13	2.67

Corrosion Resistant Applications

Meets Coast Guard CG293

*Use with our LNM-P Conduit on p. 144

Liquidtight Flexible Nonmetallic Conduit Type A



Cat. No.	Conduit Size	Hub Thread	Dimensions (in.)	
			A	B
3720-TB*	3/8	1/2-14 NPT	1-5/32	2
3721-TB	1/2	1/2-14 NPT	1-3/8	2-1/8
3722-TB	3/4	3/4-14 NPT	1-5/8	2-1/4
3723	1	1-11-1/2 NPT	1-7/8	2-1/2
3724-TB	1-1/4	1-1/4-11-1/2 NPT	2-3/8	2
3725	1-1/2	1-1/2-11-1/2 NPT	2-3/4	3-3/8
3726	2	2-11-1/2 NPT	3-17/32	3-5/8

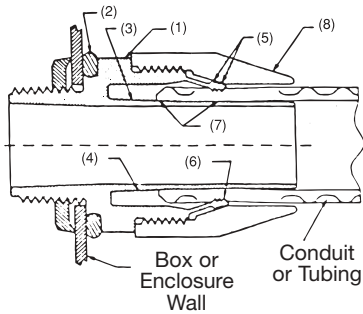
* Not U.L. Listed

For Dura-Plate™ Finish, add prefix 040- to Cat. No. Consult Customer Service for details.

T&B Conduit Fittings

Liquidtight Flexible Nonmetallic Conduit Fittings

Specification Sheet—Bullet® Liquidtight Fittings for Liquidtight Flexible Nonmetallic Conduit and Tubing



Application:

A series of nonmetallic fittings designed to provide a liquidtight seal when terminating liquidtight nonmetallic conduit (U.L. Type B) or liquidtight nonmetallic tubing to a box or enclosure with knockout opening or a threaded hub.

Plastic Bullet Liquidtight Fittings Feature:

- Fitting assembles to conduit without disassembly and is designed to be installed with positive installation criteria (gland bottoms on body shoulder).
- Rugged low profile nonmetallic body and gland construction (1); the fitting is equipped with a steel locknut to firmly secure fitting to box or an enclosure and a sealing “O” ring.
- Captive sealing “O” ring (2) with predetermined compression for a reliable seal at enclosure.
- Fitting ferrule designed to accept variations in conduit inside diameter and is tolerant of field conduit cuts (3).
- Ferrule profile designed to reduce friction between conduit I.D. and ferrule (4) allowing conduit to seat properly for an effective seal.
- Outer surface of clamping fingers provided with friction reducing ridges (5) for ease of installation; the inner surface is designed with conduit biting teeth to enhance clamping and sealing action (6).
- Performance of fittings tested to simulate adverse installation conditions.
- Provides a double sealing action (7).
- Elongated gland nut profile (8) designed to provide additional strain relief for 90° pull and an easy hand grip.

- Performance of fitting unaffected by exposure to detergents, cleaners, and sanitizers commonly encountered in food processing plants and typical industrial environment; also unaffected by cutting fluids, wiring pulling compounds and Marine environment.

- Meets industry standards for cold impact and simulated hammer blow.

Standard Material/Finish:

- Body Gland—weather stabilized thermoplastic (black).
- “O” Ring—nitrile (blue)
- Locknut—Steel/electro-zinc plated
- Material temperature rating—thermoplastic -40°C to 105°C.

Material Flammability Rating:

U.L.94-V2.

Conformity

- CSA C22.2 #227.2 & CSA C22.2 #227.3
- U.L.514B
- Watertight requirements of NEMA Type 4 and Type 4X.
- Federal Standard H-28 (NPT threads)
- There is no CEC Rule to use Nonmetallic liquidtight conduit and fittings in Class I, Zone 2 or Class I, Division 2; Rule 18-202 (4) (b) Class II, Division 1; Rule 18-252 (4) Class II, Division 2; Rule 18-302 (4) Class III, Division 1.

T&B Conduit Fittings

Liquidtight Flexible Nonmetallic Conduit Fittings

Plastic Bullet® Liquidtight Fittings for T&B NMC Nonmetallic Liquidtight Conduit Type B and T&B NMT Flexible Tubing



Cat. No.	Fig.	Trade Size	A ±.015 (.040) in. (mm)	*B ±.035 (0.90) in. (mm)	C ±.015 (0.40) Across Corners in. (mm)	Min. Throat Dia. D in. (mm)	E Thread NPT	F* (in.) (mm) Approx.
LT38P	1		.570	1.595 (40.51)	1.354	.417		—
LT438P	2	3/8	(14.48)	2.012 (51.10)	(34.39)	(10.59)	1/2-14	1.534 (38.95)
LT938P	3			1.380 (35.05)				1.880 (47.75)
LT50P	1		.570	1.636 (41.55)	1.448	.550		—
LT450P	2	1/2	(14.48)	2.092 (53.14)	(36.78)	(13.97)	1/2-14	1.590 (40.39)
LT950P	3			1.489 (37.82)				1.986 (50.44)
LT75P	1		.582	1.757 (44.63)	1.740	.740		—
LT475P	2	3/4	(14.78)	2.452 (62.28)	(44.20)	(18.80)	3/4-14	1.821 (46.25)
LT975P	3			1.790 (45.47)				2.212 (56.00)
LT100P	1		.726	1.923 (48.84)	2.068	.940		—
LT4100P	2	1	(18.44)	2.684 (68.17)	(52.53)	(23.88)	1-11-1/2	2.034 (51.66)
LT9100P	3			2.104 (53.44)				2.508 (63.70)
LT125P	1		.750	2.164 (54.97)	2.494	1.257		—
LT4125P	2	1-1/4	(19.05)	3.264 (82.91)	(63.35)	(31.93)	1-1/4-11-1/2	2.385 (60.58)
LT9125P	3			2.564 (65.13)				2.856 (72.54)
LT150P	1		.767	3.353 (85.77)	2.784	1.453		—
LT4150P	2	1-1/2	(19.48)	3.605 (91.57)	(70.71)	(36.91)	1-1/2-11-1/2	2.604 (66.14)
LT9150P	3			2.854 (72.49)				3.144 (79.86)
LT200P	1		.794	2.605 (66.17)	3.362	1.883		—
LT4200P	2	2	(20.17)	4.210 (106.93)	(85.39)	(47.83)	2-8	3.050 (77.47)
LT9200P	3			3.432 (87.17)				3.675 (93.34)

* After Assembly

Suggested Specification:

Where liquidtight flexible nonmetallic conduit (U.L. and CSA Type B) or liquidtight flexible nonmetallic tubing is terminated to a box or enclosure, the nonmetallic fittings used shall be able to be installed without disassembly and provide a positive installation criteria. In

the installed condition, the fitting must provide a seal meeting watertight requirements of NEMA Type 4 and Type 4X. The performance of fittings shall be unaffected by exposure to detergents, sanitizers, cutting fluids, wire pulling compounds and oil-based industrial

paints. The fitting must also be capable of withstanding marine environment and cold impact simulating a hammer blow. Installed fittings shall be of the elongated gland type as manufactured by Thomas & Betts LT38P series.

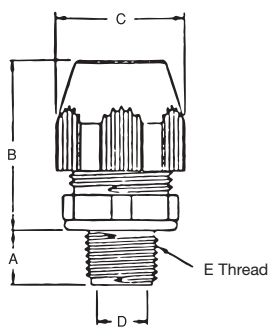


Figure 1

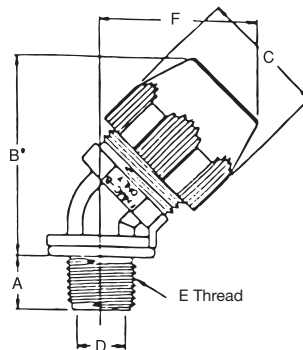


Figure 2

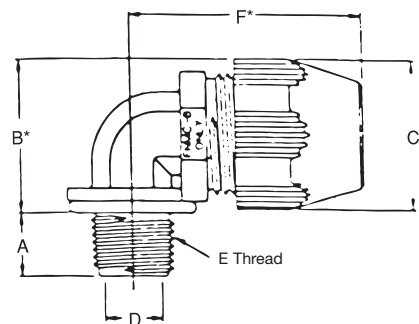


Figure 3