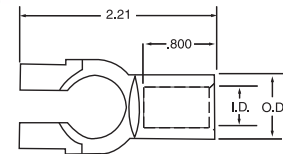
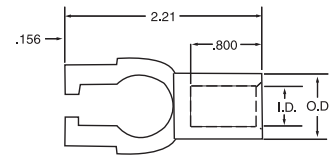


Heavy-Duty Battery Connectors

Tin-Plated Straight Battery Connectors

Material: High-Conductivity Copper
 Finish: Electro-Tin Plate
 Installing Tools: TBM5-SV, TBM5V, TBM8250S

CAT. NO.	BULK CAT. NO.	SAE Cable Size	Description	I.D.	O.D.	Pkg. Qty	Bulk Pkg. Qty	Color Code
BAC4SUBT	BAC4SUBT-C	4 Gauge	Straight Universal	0.261	0.430	5	100	Grey
BAC2SUBT	BAC2SUBT-C	2 Gauge	Straight Universal	0.340	0.550	5	100	Green
BAC1SUBT	BAC1SIBT-C	1 Gauge	Straight Universal	0.340	0.550	5	100	Pink
BAC10SUBT	BAC10SUBT-C	1/0 Gauge	Straight Universal	0.455	0.625	5	100	Black
BAC20SUBT	BAC20SUBT-C	2/0 Gauge	Straight Universal	0.502	0.676	5	100	Orange
BAC30SUBT	BAC30SUBT-C	3/0 Gauge	Straight Universal	0.530	0.730	5	100	Purple
BAC40SUBT	BAC40SUBT-C	4/0 Gauge	Straight Universal	0.600	0.844	5	100	Yellow
BAC4SPBT	BAC4SPBT-C	4 Gauge	Straight Positive	0.261	0.430	5	100	Grey
BAC4SNBT	BAC4SNBT-C	4 Gauge	Straight Negative	0.261	0.430	5	100	Grey
BAC2SPBT	BAC2SPBT-C	2 Gauge	Straight Positive	0.340	0.550	5	100	Green
BAC2SNBT	BAC2SNBT-C	2 Gauge	Straight Negative	0.340	0.550	5	100	Green
BAC1SPBT	BAC1SPBT-C	1 Gauge	Straight Positive	0.340	0.550	5	100	Pink
BAC1SNBT	BAC1SNBT-C	1 Gauge	Straight Negative	0.340	0.550	5	100	Pink
BAC10SPBT	BAC10SPBT-C	1/0 Gauge	Straight Positive	0.455	0.625	5	100	Black
BAC10SNBT	BAC10SNBT-C	1/0 Gauge	Straight Negative	0.455	0.625	5	100	Black
BAC20SPBT	BAC20SPBT-C	2/0 Gauge	Straight Positive	0.502	0.676	5	100	Orange
BAC20SNBT	BAC20SNBT-C	2/0 Gauge	Straight Negative	0.502	0.676	5	100	Orange
BAC30SPBT	BAC30SPBT-C	3/0 Gauge	Straight Positive	0.530	0.730	5	100	Purple
BAC30SNBT	BAC30SNBT-C	3/0 Gauge	Straight Negative	0.530	0.730	5	100	Purple
BAC40SPBT	BAC40SPBT-C	4/0 Gauge	Straight Positive	0.600	0.844	5	100	Yellow
BAC40SNBT	BAC40SNBT-C	4/0 Gauge	Straight Negative	0.600	0.844	5	100	Yellow



C o m p r e s s i o n

Heavy-Duty Battery Connectors

Tin-Plated Flag Battery Connectors

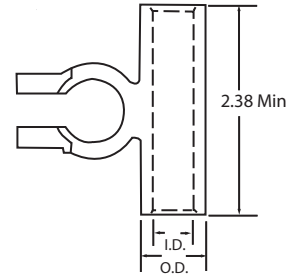
Material: High-Conductivity Copper

Finish: Electro-Tin Plate

Installing Tools: TBM5-SV, TBM5V, TBM8250S

C o m p r e s s i o n

CAT. NO.	BULK CAT. NO.	SAE Cable Size	Description	I.D.	O.D.	Pkg. Qty	Bulk Pkg. Qty	Color Code
BAC10FU	BAC10FNBL	1/0 Gauge	Flag Universal	0.455	0.625	5	100	Black
BAC20FU	BAC20FNBL	2/0 Gauge	Flag Universal	0.502	0.676	5	100	Orange
BAC30FU	BAC30FNBL	3/0 Gauge	Flag Universal	0.530	0.730	5	100	Purple
BAC40FU	BAC40FNBL	4/0 Gauge	Flag Universal	0.600	0.844	5	100	Yellow
BAC10FPBT	BAC10FPBT-C	1/0 Gauge	Flag Positive	0.455	0.625	5	100	Black
BAC10FNBT	BAC10FNBT-C	1/0 Gauge	Flag Negative	0.455	0.625	5	100	Black
BAC20FPBT	BAC20FPBT-C	2/0 Gauge	Flag Positive	0.502	0.676	5	100	Orange
BAC20FNBT	BAC20FNBT-C	2/0 Gauge	Flag Negative	0.502	0.676	5	100	Orange
BAC30FPBT	BAC30FPBT-C	3/0 Gauge	Flag Positive	0.530	0.730	5	100	Purple
BAC30FNBT	BAC30FNBT-C	3/0 Gauge	Flag Negative	0.530	0.730	5	100	Purple
BAC40FPBT	BAC40FPBT-C	4/0 Gauge	Flag Positive	0.600	0.844	5	100	Yellow
BAC40FNBT	BAC40FNBT-C	4/0 Gauge	Flag Negative	0.600	0.844	5	100	Yellow



Heavy-Duty Battery Connectors

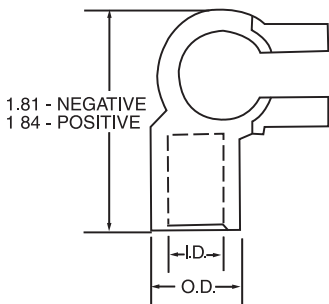


Tin-Plated Elbow Battery Connectors

Material: High-Conductivity Copper

Finish: Electro-Tin Plate

Installing Tools: TBM5-SV, TBM5V, TBM8250S



CAT. NO.	BULK CAT. NO.	SAE Cable Size	Description	I.D.	O.D.	Pkg. Qty	Bulk Pkg. Qty	Color Code
BAC10ERNBT	BAC10ERNBT-C	1/0 Gauge	Right Elbow-Negative	0.455	0.625	5	100	Black
BAC10ERPBT	BAC10ERPBT-C	1/0 Gauge	Right Elbow-Positive	0.455	0.625	5	100	Black
BAC20ERNBT	BAC20ERNBT-C	2/0 Gauge	Right Elbow-Negative	0.502	0.676	5	100	Orange
BAC20ERPBT	BAC20ERPBT-C	2/0 Gauge	Right Elbow-Positive	0.502	0.676	5	100	Orange
BAC30ERNBT	BAC30ERNBT-C	3/0 Gauge	Right Elbow-Negative	0.530	0.730	5	100	Purple
BAC30ERPBT	BAC30ERPBT-C	3/0 Gauge	Right Elbow-Positive	0.530	0.730	5	100	Purple
BAC40ERNBT	BAC40ERNBT-C	4/0 Gauge	Right Elbow-Negative	0.600	0.844	5	100	Yellow
BAC40ERPBT	BAC40ERPBT-C	4/0 Gauge	Right Elbow-Positive	0.600	0.844	5	100	Yellow
BAC10ELNBT	BAC10ELNBT-C	1/0 Gauge	Left Elbow-Negative	0.455	0.625	5	100	Black
BAC10ELPBT	BAC10ELPBT-C	1/0 Gauge	Left Elbow-Positive	0.455	0.625	5	100	Black
BAC20ELNBT	BAC20ELNBT-C	2/0 Gauge	Left Elbow-Negative	0.502	0.676	5	100	Orange
BAC20ELPBT	BAC20ELPBT-C	2/0 Gauge	Left Elbow-Positive	0.502	0.676	5	100	Orange
BAC30ELNBT	BAC30ELNBT-C	3/0 Gauge	Left Elbow-Negative	0.530	0.730	5	100	Purple
BAC30ELPBT	BAC30ELPBT-C	3/0 Gauge	Left Elbow-Positive	0.530	0.730	5	100	Purple
BAC40ELNBT	BAC40ELNBT-C	4/0 Gauge	Left Elbow-Negative	0.600	0.844	5	100	Yellow
BAC40ELPBT	BAC40ELPBT-C	4/0 Gauge	Left Elbow-Positive	0.600	0.844	5	100	Yellow

C o m p r e s s i o n

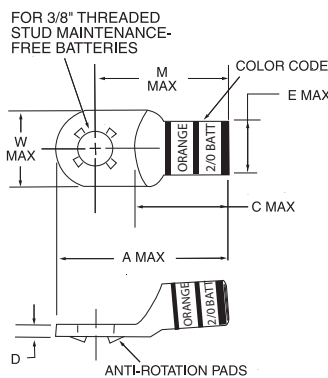
Stackable Battery Connector – Lead-Plated



Material: High-Conductivity Copper

Finish: Lead Plated

Installing Tools: TBM5-SV or TBM5V



CAT. NO.	BULK CAT. NO.	SAE Cable Size	A ±.040	M ±.020	W ±.020	C ±.020	E ±.010	Stud Size	Pkg. Qty	Bulk Pkg. Qty	Color Code
BAC438	273-31853-1	4 Gauge	1.46 (37.0)	1.14 (29.0)	0.62 (15.6)	0.75 (19.1)	0.37 (9.3)	3/8	10	100	Grey
BAC238	273-31853-2	2 Gauge	1.78 (45.1)	1.40 (35.6)	0.68 (17.1)	0.85 (21.6)	0.47 (11.9)	3/8	10	100	Green
BAC138	273-31853-3	1 Gauge	1.88 (47.6)	1.50 (38.1)	0.75 (44.5)	0.95 (24.1)	0.52 (13.2)	3/8	10	100	Pink
BAC1038	273-31853-4	1/0 Gauge	1.93 (48.9)	1.55 (39.4)	0.83 (21.0)	1.00 (25.4)	0.57 (14.5)	3/8	10	100	Black
BAC2038	273-31853-5	2/0 Gauge	2.11 (53.6)	1.65 (41.8)	0.93 (23.6)	1.10 (27.9)	0.63 (16.1)	3/8	10	100	Orange
BAC3038	273-31853-6	3/0 Gauge	2.03 (51.4)	1.65 (41.9)	1.03 (26.0)	1.10 (27.9)	0.70 (17.8)	3/8	10	100	Purple
BAC4038	273-31853-7	4/0 Gauge	2.23 (57.8)	1.90 (48.3)	1.03 (26.0)	1.35 (34.3)	0.77 (19.5)	3/8	10	100	Yellow

Heavy-Duty Battery Connectors

Starter Lugs – Tin Plated

Material: High-Conductivity Copper
 Finish: Electro Tin Plated
 Installing Tools: TBM5-SV or TBM5V



CAT. NO.	BULK CAT. NO.	SAE Cable Size	Stud Size (in.)	A ±04	B ±02	C ±02	D ±02	Pkg. Qty	Bulk Pkg. Qty	Color Code
BAL414	273-31852-1	4 Gauge	1/4	140	52	40	115	10	100	Grey
BAL4516	273-31852-2	4 Gauge	5/16	145	61	363	114	10	100	Grey
BAL438	273-31852-3	4 Gauge	3/8	145	61	6	114	10	100	Grey
BAL2516	-	2 Gauge	5/16	159	69	40	1258	10		Green
BAL238	273-31852-4	2 Gauge	3/8	178	67	55	140	10	100	Green
BAL212	273-31852-5	2 Gauge	1/2	177	76	54	140	10	100	Green
BAL1516	-	1 Gauge	5/16	183	76	49	150	10		Pink
BAL138	273-31852-6	1 Gauge	3/8	185	75	55	150	10	100	Pink
BAL112	273-31852-7	1 Gauge	1/2	220	75	75	170	10	100	Pink
BAL10516	-	1/0 Gauge	5/16	192	83	50	150	10		Black
BAL1038	273-31852-8	1/0 Gauge	3/8	193	83	55	155	10	100	Black
BAL1012	273-31852-9	1/0 Gauge	1/2	197	88	53	153	10	100	Black
BAL20516	-	2/0 Gauge	5/16	206	93	50	160	10		Orange
BAL2038	273-31852-10	2/0 Gauge	3/8	211	93	55	165	10	100	Orange
BAL2012	273-31852-11	2/0 Gauge	1/2	211	93	55	165	10	100	Orange
BAL30516	-	3/0 Gauge	5/16	216	103	55	165	10		Purple
BAL3038	273-31852-12	3/0 Gauge	3/8	203	103	55	165	10	100	Purple
BAL3012	273-31852-13	3/0 Gauge	1/2	235	103	75	185	10	100	Purple
BAL40516	-	4/0 Gauge	5/16	240	113	59	184	10		Yellow
BAL4038	273-31852-14	4/0 Gauge	3/8	228	112	55	190	10	100	Yellow
BAL4012	273-31852-15	4/0 Gauge	1/2	260	112	75	210	10	100	Yellow

Compression

Splices (Two-Way Connectors)



Material: High-Conductivity Copper
 Finish: Electro-Tin Plate
 Installing Tools: TBM5-SV or TBM5V

CAT. NO.	BULK CAT. NO.	SAE Cable Size	Pkg. Qty	Bulk Pkg. Qty	Color Code
BAS4	273-31852-16	4 Gauge	10	100	Grey
BAS2	273-31852-17	2 Gauge	10	100	Green
BAS1	273-31852-18	1 Gauge	10	100	Pink
BAS10	273-31852-19	1/0 Gauge	10	100	Black
BAS20	273-31852-20	2/0 Gauge	10	100	Orange
BAS30	273-31852-21	3/0 Gauge	10	100	Purple
BAS40	273-31852-22	4/0 Gauge	10	100	Yellow

“Y” Splices



Material: High-Conductivity Copper
 Finish: Electro-Tin Plate
 Installing Tools: TBM5-SV or TBM5V
 Installing Cover: AC5X3

CAT. NO.	Strip Cable Size	SAE Cable Size	Length (in.)	Color Code
BASY20	2/0-(2)2	2/0 Gauge	3/4	Orange
BASY3	3/0-(2)1	3/0 Gauge	3/4	Purple
BASY40	4/0-(2)1/0	4/0 Gauge	3/4	Yellow