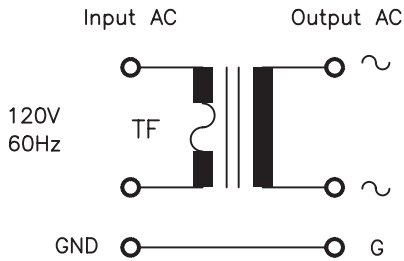


Linear Wall Plug Adapters



AC Output with Screw Terminal Connections

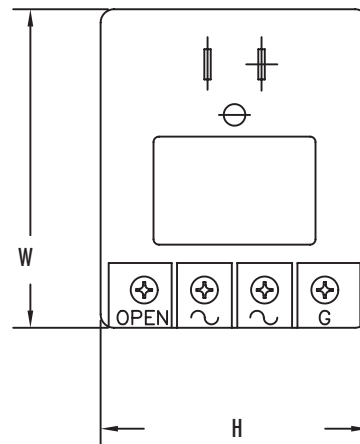
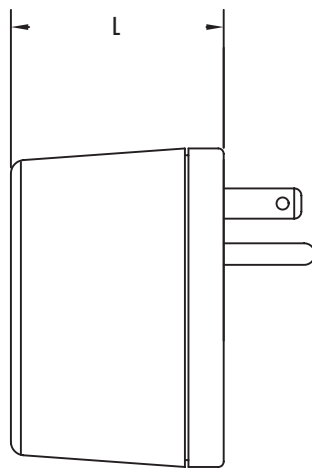
- Approved to UL1310 & CSA
- Operating Temp = 0°C to +40°C
- Withstand Voltage = 1,500V (input to output)
- High Quality Robust Design
- Class II Transformer
- Inherently Limited Design



Mechanical Dimension Table

SERIES PREFIX	LENGTH(L) MM(INCH)	WIDTH(W) MM (INCH)	HEIGHT(H) MM(INCH)
820A-03	75 (2.95)	63 (2.48)	50 (1.97)
830A-03	75 (2.95)	63 (2.48)	50 (1.97)

Part #	Rated Output at 100% Load		Output Type (AC/DC)
	Volts	mA	
820A0060-03	10	1200	AC
820A0061-03	12	1000	AC
820A0062-03	14	850	AC
820A0063-03	16	750	AC
820A0064-03	18	650	AC
820A0065-03	20	600	AC
820A0066-03	22	550	AC
820A0067-03	24	500	AC
830A0060-03	10	2000	AC
830A0061-03	12	1600	AC
830A0062-03	14	1430	AC
830A0063-03	16	1250	AC
830A0064-03	18	1110	AC
830A0065-03	20	1000	AC
830A0066-03	22	900	AC
830A0067-03	24	830	AC



TAMURA CORPORATION

43352 Business Park Drive. | P.O. Box 892230 Temecula, CA 92589-2230 | www.tamuracorp.com
 USA | Japan | United Kingdom | Hong Kong
 Tel: 800-872-6624 | Tel: 81 (0)3 3978-2111 | Tel: 44 (0) 1380 731 700 | Tel: 852-2389-4321
 Fax: 909-676-9482 | Fax: 81 (0)3 3923-0230 | Fax: 44 (0) 1380 731 702 | Fax: 852-2341-9689