

REV. Status

REVISION -
REVISED AND
REDRAWN ON
CAD/CAM
11/20/00 TS

REVISION A
REMOVED UL506
AND PENDING
FROM SAFETY.
01/09/01 TS

REVISION B
ADDED UL506
04/17/01 YS

REVISION C
SAFETY UPDATED
03/11/10 MP

THREE FLANGE DUAL PRIMARY 1.1VA PC BOARD POWER TRANSFORMER

A. Electrical Specifications (@ 25 °C)

1. Maximum Power: 1.1VA
2. Input Voltage and Frequency: 115/230V 50/60Hz
3. Secondary Voltage: See Table A
4. Voltage Regulation: 24% TYP @ full load to no load
5. Temperature Rise: 35°C TYP (45°C MAX allowed)
6. Insulation Resistance:
100MΩ MIN @ 500VDC, Pri to Sec, Pri to Core
100MΩ MIN @ 500VDC, Sec to Core
7. Hi-Pot: 2500Vrms 1 minute @ Pri to Sec
1500Vrms 1 minute @ Pri to Core
1500Vrms 1 minute @ Sec to Core
1900VDC 1 minute @ Sec to Sec

B. Marking: TAMURA, Tamura part number (see sheet 2), date code, country of origin, safety logos and input and output ratings

C. Safety:

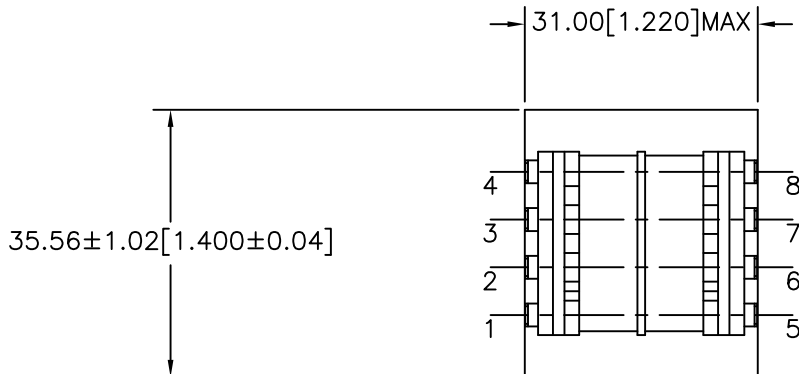
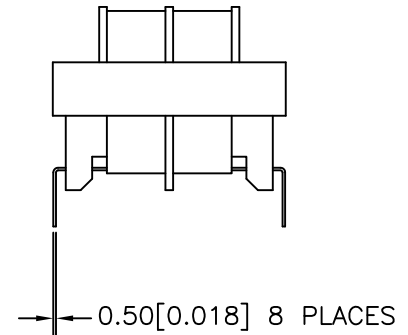
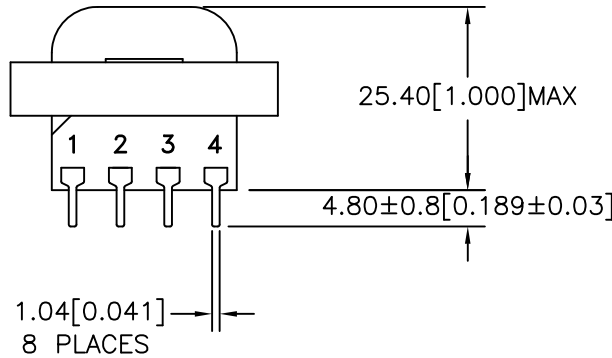
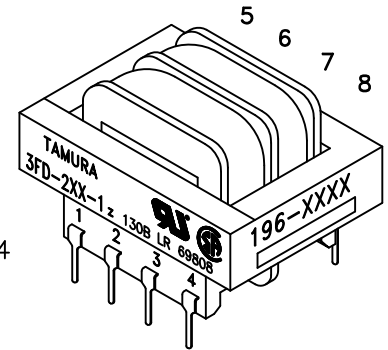
Insulation Class B (130°C) File No. E92957
CSA 22.2 No. 66-1988, File No. 069808
UL 1585, Class 2 and 3, Inherently Limited, File No. E95844
UL 506, General Purpose, File No. E91239

D. Mechanical Specifications:



MODEL NUMBER

3FD-2XX-1 SERIES



PREPARED BY:

C Poppe

ENGINEER:

M. Pitchai

SAFETY ENGINEER

B. Oconnell

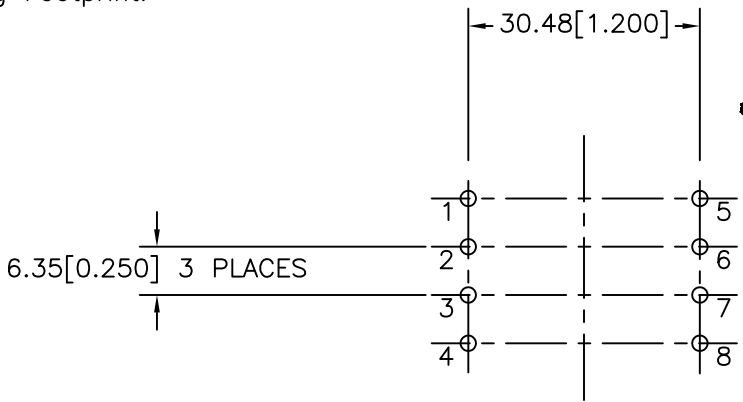
APPROVED:

P. Brune

DRAWING CONTROL NO. P-A1-12663 ACAD\3F\A1126631.DWG	REV C	MODEL DESCRIPTION SIZE 2 3FD-2XX-1 FAMILY POWER TRANSFORMER	MODEL SPECIFICATION 3FD-2XX-1 SERIES
CONTENTS OF THIS DRAWING ARE SUBJECT TO CHANGE WITHOUT PRIOR NOTICE		TAMURA CORPORATION OF AMERICA 43352 BUSINESS PARK DRIVE, TEMECULA, CA. 92590-6624 (951) 699-1270 FAX 9516769482	DIM: mm[In] SCL: NONE SH: 1 OF 2
PROPRIETARY NOTICE: THIS DRAWING PRINT OR DOCUMENT AND SUBJECT MATTER DISCLOSED HEREIN ARE PROPRIETARY ITEMS TO WHICH TAMURA RETAINS THE EXCLUSIVE RIGHT OF DISSEMINATION, REPRODUCTION, MANUFACTURE AND SALE. THIS DRAWING, PRINT OR DOCUMENT IS SUBMITTED IN CONFIDENCE FOR CONSIDERATION BY THE RECIPIENT ALONE UNLESS PERMISSION FOR FURTHER DISCLOSURE IS EXPRESSLY GRANTED IN WRITING.			

REV. Status
 REVISION –
 REVISED AND
 REDRAWN ON
 CAD/CAM
 SEE SHEET 1
 FOR REV STATUS

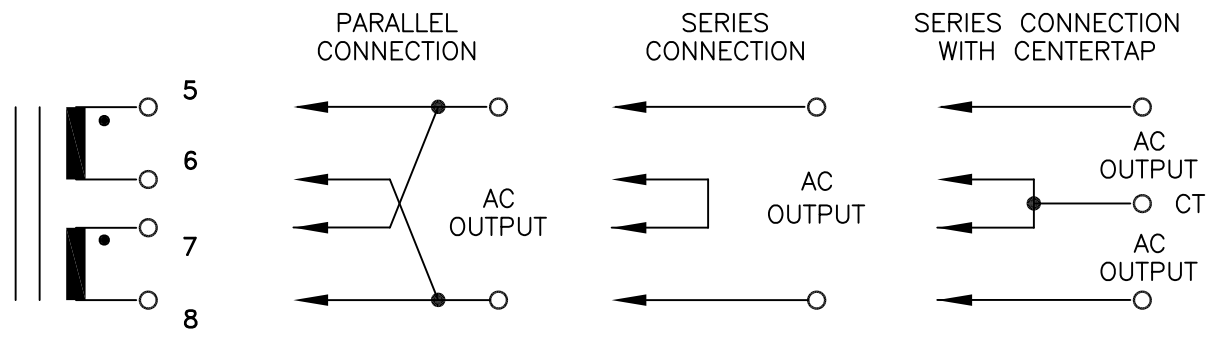
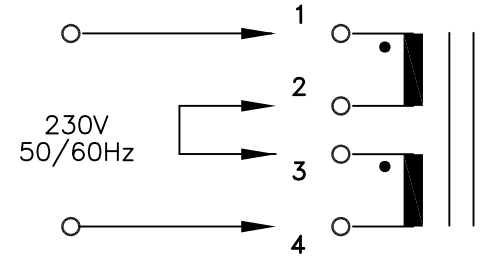
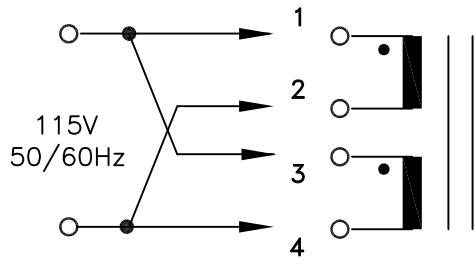
E. Mounting Footprint:



MODEL NUMBER
3FD-2XX-1 SERIES

F. Connection Diagram:

PRIMARY INPUT CONNECTIONS



*NOT UL-RECOGNIZED FOR SERIES CONNECT.

TAMURA PART NO.	PARALLEL CONNECTION		SERIES CONNECTION		SERIES CONNECTION WITH CT	
	AC VOLTS	RMS AMPS	AC VOLTS	RMS AMPS	AC VOLTS	RMS AMPS
3FD-210-1	5.0	0.220	10.0	0.110	5.0-CT-5.0	0.110
3FD-212-1	6.3	0.180	12.6	0.090	6.3-CT-6.3	0.090
3FD-216-1	8.0	0.140	16.0	0.070	8.0-CT-8.0	0.070
3FD-220-1	10.0	0.110	20.0	0.055	10.0-CT-10.0	0.055
3FD-224-1	12.0	0.090	24.0	0.045	12.0-CT-12.0	0.045
3FD-228-1	14.0	0.080	28.0	0.040	14.0-CT-14.0	0.040
3FD-236-1	18.0	0.060	36.0	0.030	18.0-CT-18.0	0.030
3FD-248-1	24.0	0.046	48.0	0.023	24.0-CT-24.0	0.023
3FD-256-1	28.0	0.040	56.0	0.020	28.0-CT-28.0	0.020
3FD-2120-1	60.0	0.020	120.0*	0.010	60.0-CT-60.0	0.010

PREPARED BY:
 C. Poppe
 ENGINEER:
 M. Pitchai
 SAFETY ENGINEER
 B. Oconnell
 APPROVED:
 P. Brune

DRAWING CONTROL NO. P-A1-12663 ACAD\3F\A1126632.DWG	REV C	MODEL DESCRIPTION SIZE 2 3FD-2XX-1 FAMILY POWER TRANSFORMER	MODEL SPECIFICATION 3FD-2XX-1 SERIES
CONTENTS OF THIS DRAWING ARE SUBJECT TO CHANGE WITHOUT PRIOR NOTICE		TAMURA CORPORATION OF AMERICA 43352 BUSINESS PARK DRIVE, TEMECULA, CA. 92590-6624 (951) 699-1270 FAX 9516769482	DIM: mm[In] SCL: NONE SH: 2 OF 2
PROPRIETARY NOTICE: THIS DRAWING PRINT OR DOCUMENT AND SUBJECT MATTER DISCLOSED HEREIN ARE PROPRIETARY ITEMS TO WHICH TAMURA RETAINS THE EXCLUSIVE RIGHT OF DISSEMINATION, REPRODUCTION, MANUFACTURE AND SALE. THIS DRAWING, PRINT OR DOCUMENT IS SUBMITTED IN CONFIDENCE FOR CONSIDERATION BY THE RECIPIENT ALONE UNLESS PERMISSION FOR FURTHER DISCLOSURE IS EXPRESSLY GRANTED IN WRITING.			