

REV. Status

UL/CSA CLASS 2 POWER SUPPLY DC 4.5V, 150mA

REVISION -
07/06/92 YN

- A. Electrical specifications
 1. Input voltage: AC 120V ±10% 60Hz ±0.5Hz
 2. Output voltage and current: DC 4.5V at 150mA

V _{in}	150mA Load	15mA Load
108	3.4 VDC MIN	-
120	4.2-4.8 VDC	7.2 VDC MAX
132	-	8.0 VDC MAX

NOTE: Specification applies after 10 minutes warm-up with 150mA load and at any operating temperature

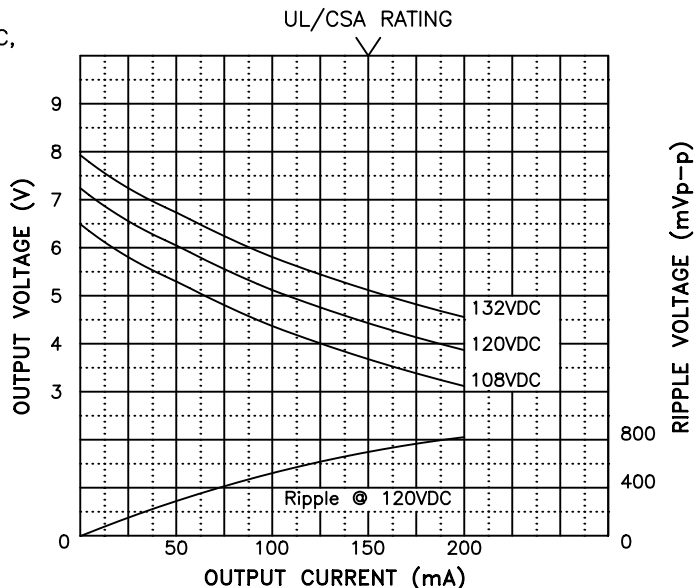
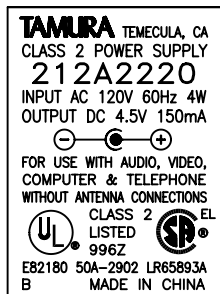
REVISION B
CHG'D PLUG DIM
ø3.5, ø3.0, 14.0
WAS ø2.5, ø2.3,
AND 11.0
11/30/98 DS

3. Operating temperature: 0°C to +40°C
 4. Storage temperature: -20°C to +85°C
 5. Operating and Storage Humidity: 0 to 95% without condensation
 6. Withstand voltage: AC 1500Vrms 1 minute @ input to output

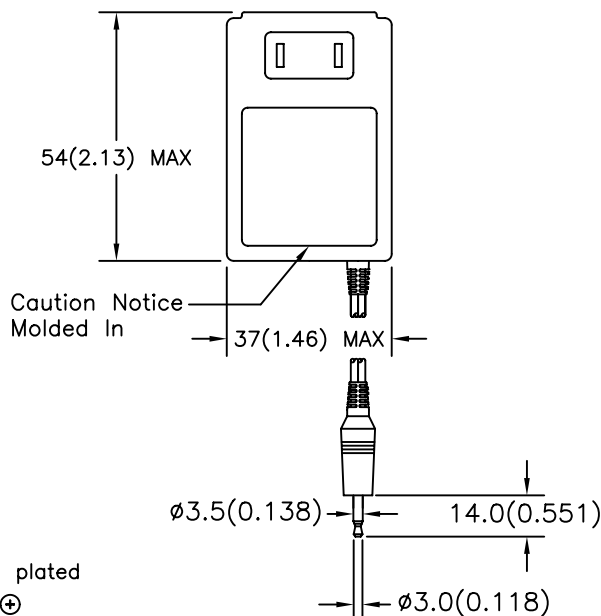
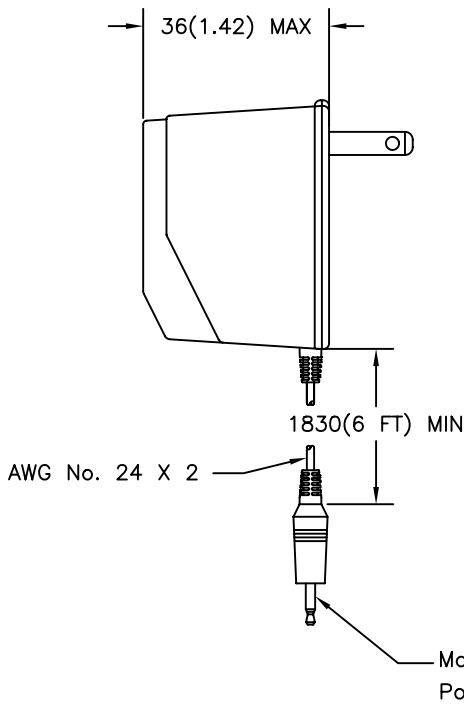
- B. Typical performance data test condition: Ta = +25°C, measured after 10 minute warm-up with input at 120V 60Hz

- C. Safety agencies
 UL File No. E82180
 Transformer UL1411, recognition No. 2902
 CSA File No. LR38236

- D. Nameplate: See drawing P-N1-11227 for detail



- E. Mechanical Specifications
 All dimensions shown are nominal unless otherwise specified



TOLERANCES (mm)
≤ 4 ± 0.2
4 ≤ 20 ± 0.3
20 ≤ 50 ± 0.4

PREPARED BY:

D. Kelley

ENGINEER:

D. Suzuki

QUALITY CONTROL:

D. Kelley

APPROVED:

D. Kelley

DWG CONTROL NO. P-A7-10713
 ACAD\PS\A7107131.DWG

REV B

UL/CSA DC 4.5V 150mA
 CLASS 2 POWER SUPPLY

TAMURA CORPORATION OF AMERICA
 43352 BUSINESS PARK DRIVE, TEMECULA, CA. 92590-6624
 (909) 699-1270 FAX 9096769482

212A2220

MODEL SPECIFICATION

DIM: mm(In) SCL: NONE SH: 1 OF 1

PROPRIETARY NOTICE: THIS DRAWING PRINT OR DOCUMENT AND SUBJECT MATTER DISCLOSED HEREIN ARE PROPRIETARY ITEMS TO WHICH TAMURA RETAINS THE EXCLUSIVE RIGHT OF DISSEMINATION, REPRODUCTION, MANUFACTURE AND SALE. THIS DRAWING, PRINT OR DOCUMENT IS SUBMITTED IN CONFIDENCE FOR CONSIDERATION BY THE RECIPIENT ALONE UNLESS PERMISSION FOR FURTHER DISCLOSURE IS EXPRESSLY GRANTED IN WRITING.