

ISSUE 3
REVISED AND
REDRAWN ON
CAD/CAM
12/8/94 TS

ISSUE 4
UPDATED FORMAT
4/7/94 TS

MODEL NUMBER

11B001H

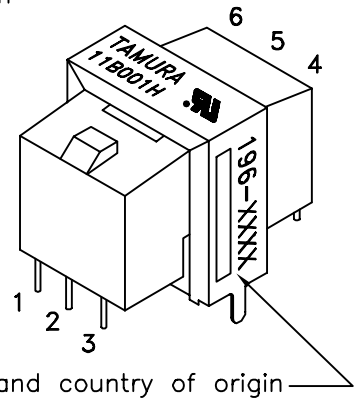
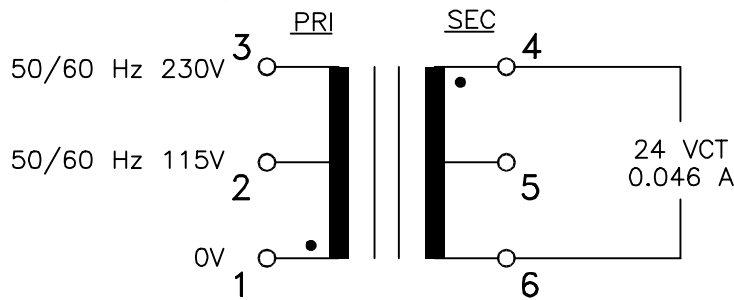
A. Electrical Specifications (Ta = +25 ° C)

1. Input voltage: 50/60 Hz 115 or 230V
2. Output voltage: AC 24V ±5% CT @ 0.046A load
3. Output Voltage Regulation:
25% MAX @ Input 50/60 Hz 115/230V 0-0.046A AC load
4. Exciting current: 20 mA MAX @ Input 115V 50 Hz
5. Temperature Rise: 35°C MAX
6. Insulation Resistance:
DC 500V 100MΩ MIN Pri to Sec, Pri to Core, Sec to Core
7. Hi-Pot: AC 4 KVrms 1 minute Pri to Sec, Pri to Core
AC 500 Vrms 1 minute Sec to Core

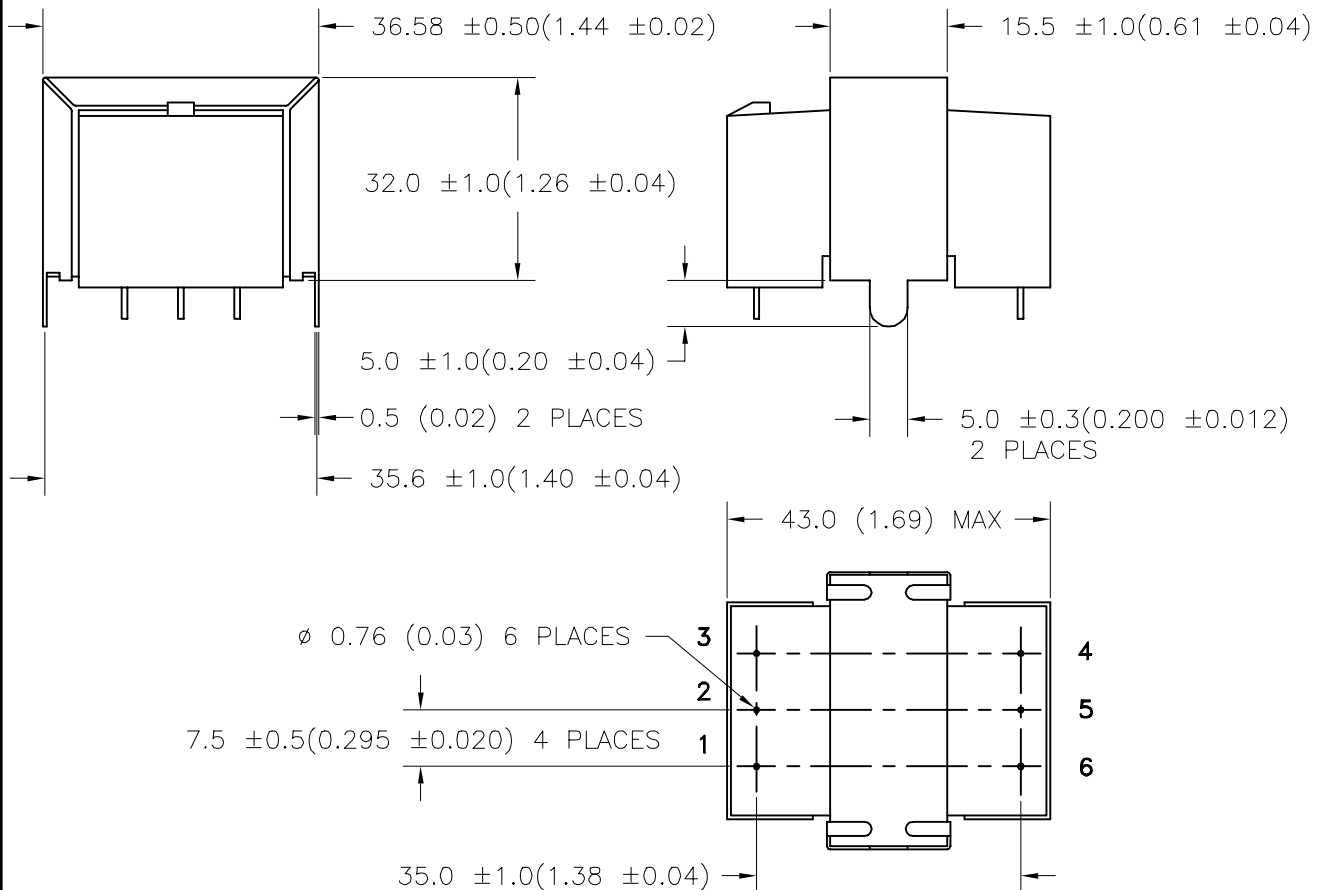
B. Marking: 11B001H, TAMURA, date code, and country of origin

C. Safety: UL1411 Class A File No. E98949

D. Schematic Diagram



D. Mechanical Specifications



PREPARED BY: K. Brennan	DWG CONTROL NO. P-A1-10077 ACAD\XFMR\A1100771.DWG	REV C	POWER TRANSFORMER (PEP35-14)	11B001H	
ENGINEER: T. Sasaki	TAMURA CORPORATION OF AMERICA 43352 BUSINESS PARK DRIVE, TEMECULA, CA. 92590-6624 (909) 699-1270 FAX 9096769482			MODEL SPECIFICATION	
APPROVED: V. Casey	PROPRIETARY NOTICE: THIS DRAWING PRINT OR DOCUMENT AND SUBJECT MATTER DISCLOSED HEREIN ARE PROPRIETARY ITEMS TO WHICH TAMURA RETAINS THE EXCLUSIVE RIGHT OF DISSEMINATION, REPRODUCTION, MANUFACTURE AND SALE. THIS DRAWING, PRINT OR DOCUMENT IS SUBMITTED IN CONFIDENCE FOR CONSIDERATION BY THE RECIPIENT ALONE UNLESS PERMISSION FOR FURTHER DISCLOSURE IS EXPRESSLY GRANTED IN WRITING.			DIM: mm(In)	SCL: 1/1
			SH: 1 OF 1		