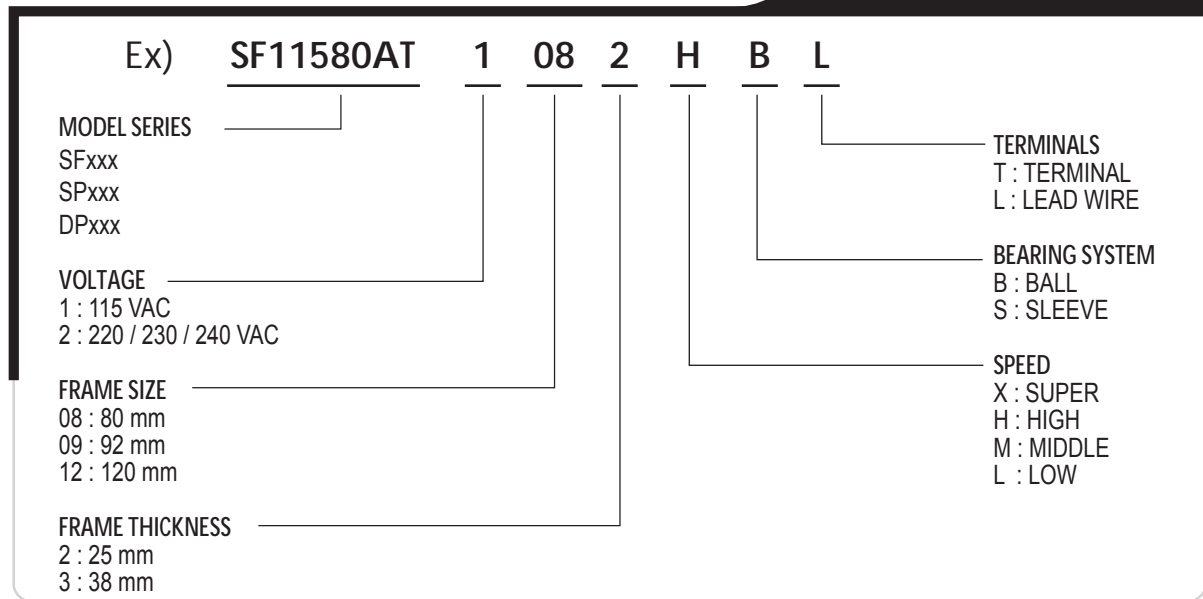
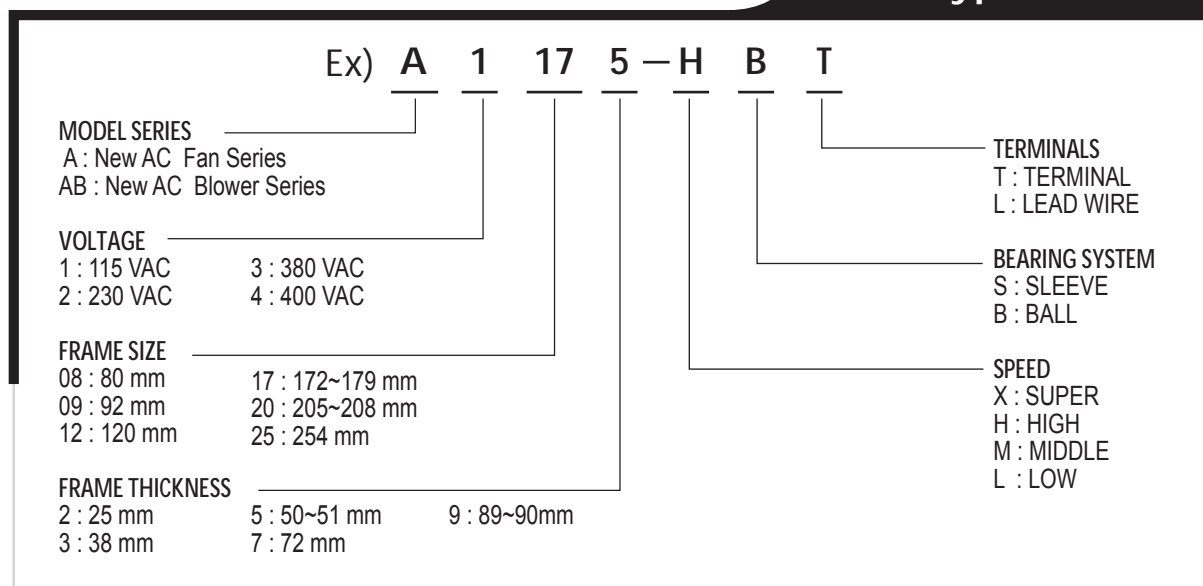


MODEL NUMBERING SYSTEM

General AC Fan



New Type AC Fan



P/N

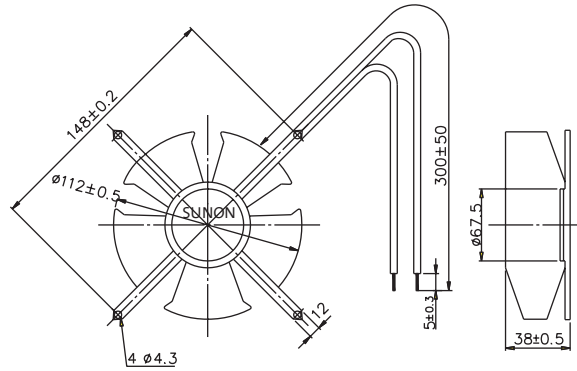
P/N Suffixes have the following significance :

- T : Thermal Cutout
- C : Capacitor
- TC : Alveolate Motor with Thermal Cutout and Capacitor
- R : Round Frame (Blank : Standard Frame)

* Alveolate Motor only available in P/N : TC model

120x38 mm (Skeleton AC Fan)

Bearing Type :Ball / Sleeve bearing
 Air Flow:80-112 CFM



AC Series

Model	P/N	Bearing ⊙ SLEEVE ○ BALL	Rating Voltage (VAC)	Freq. (Hz)	Power Current (AMP)	Power Consumption (WATTS)	Speed (RPM)	Air Flow (CFM)	Static Pressure (Inch-H ₂ O)	Noise (dBA)	Weight (g)
SP100-4F 1123XSL		⊙	115	50/60	0.26/0.24	22/20	2600/3000	92/110	0.32/0.36	43/48	435
SP100-4F 1123XBL		○	115	50/60	0.26/0.24	22/20	2700/3100	94/112	0.33/0.37	44/49	435
SP101-4F 1123HSL		⊙	115	50/60	0.21/0.18	14/13	2300/2800	80/105	0.25/0.32	39/45	435
SP101-4F 1123HBL		○	115	50/60	0.21/0.18	14/13	2400/2900	82/107	0.26/0.33	40/46	435
DP200-4F 2123XSL		⊙	220/240	50/60	0.14/0.12	22/21	2600/3000	92/110	0.32/0.36	43/48	435
DP200-4F 2123XBL		○	220/240	50/60	0.14/0.12	22/21	2700/3100	94/112	0.33/0.37	44/49	435
DP201-4F 2123HSL		⊙	220/240	50/60	0.125/0.11	20/19	2500/2800	82/107	0.26/0.33	39/45	435
DP201-4F 2123HBL		○	220/240	50/60	0.125/0.11	20/19	2500/2800	82/107	0.26/0.33	40/46	435

Frame : Aluminum alloy

Specifications subject to change without notice

