

8525 Series



Applications

For all general purposes in civil aeronautical applications

Standards

NFC 93422 - HE 302
NFL 54130 - NAS 1599
GAM T1 list
LN 29504



Description

- Light weight version of MIL-C 26482 Series II
- Intermateable and interchangeable with MIL-C 26482 Series I and II
- Environmental stainless steel version on request
- RFI shielding plug
- Gold plating crimp contacts # 20, # 16, # 12
- Minicoax contacts # 16
- Hermetic version available

Characteristics

Mechanical

- Endurance :
 - plug type 16 : 500 operations
 - plug type 36 : 250 operations
- Shock : as per NFC 93422 - HE 302
- Vibrations :
 - from 10 to 2000 Hz - acceleration : 20 G
- Contact retention in insert :
 - size 20 : 90 N size 16 : 115 N
 - size 12 : 136 N

Electrical

- Max current rating per contact :

| | environmental class | hermetic class |
|---------|---------------------|----------------|
| size 20 | 7,5 A | 5 A |
| size 16 | 13 A | 10 A |
| size 12 | 23 A | 17 A |

- Contact resistance :

| | environmental class | hermetic class |
|---------|---------------------|----------------|
| size 20 | ≤ 1 mΩ | ≤ 7 mΩ |
| size 16 | ≤ 0.55 mΩ | ≤ 3.8 mΩ |
| size 12 | ≤ 0.35 mΩ | ≤ 2.4 mΩ |

- Insulation resistance :
 - ≥ 5000 MΩ at 500 Vdc
- Dielectric withstanding voltage 2 classes :
 - services I and II

| Service | I | II |
|------------|-----------|-----------|
| at ground | 1500 Vrms | 2300 Vrms |
| at 21000 m | 375 Vrms | 550 Vrms |

- Shell continuity with plug type 36 :
 - environmental receptacle ≤ 5 mΩ
 - hermetic receptacle ≤ 50 mΩ
- Resistance to fluids :
 - fuel : Air 3405
 - hydraulic fluid : Oronite M2V
 - lubricant : Air 3517

Climatic

- Operating temperatures :
 - 55°C to +200°C (class R and N)
 - 55°C to +175°C (class G)
- Damp heat :
 - 56 days
- Salt spray :
 - 48 hours
- Leakage :
 - environmental version
 - low pressure immersion : 33 mbar
 - hermetic version
 - differential pressure of 1 bar air/helium, leakage is ≤ 2,8 mm³ / hr

Ordering information sealed connectors aluminum version

| basic series | 8525 - 10 | R | 18 B 32 | P | N | H | ••• |
|--------------------------|---|---|---------|---|---|---|-----|
| shell type | 10 - square flange receptacle 17 - jam nut receptacle 16 - plug 36 - RFI shielded plug | | | | | | |
| plating | R - black anodized (non conductive plating) N - nickel (conductive plating) G - yellow cadmium (conductive plating) | | | | | | |
| contact layout | - see table p 45 | | | | | | |
| contact type | P - male contact S - female contact | | | | | | |
| orientation | N - normal W, X, Y, Z - see table p 46 | | | | | | |
| obligatory suffix | H - 3 rear teeth at 120 degrees K - rear teeth over 360 degrees | | | | | | |
| specification | - connector supplied without backshell, without specification L - connector supplied without contact 008 - connector supplied with special contacts # 20 for 0.38 to 0.93 mm ² cable or # 16 for 0.93 to 1.91 mm ² cable 068 - mixed contact layouts (# 20 and # 16) connector supplied with special contacts # 20 for 0.38 to 0.93 mm ² cable, and standard contacts # 16 009 - receptacle 10 or 17 with straight spills contacts size 20 - Ø 0.60 mm - size 16 - Ø 1.00 mm - length max 7.30 mm connector supplied with backshells 001 - backnut 002 - straight cable clamp 003 - elbow cable clamp 011 - backnut* 013 - elbow cable clamp* | 007 - backshell for heatshrink sleeving 057 - backnut for heatshrink sleeving 012 - straight cable clamp* 017 - backshell for heatshrink sleeving* 018 - backshell for solder shield termination* | | | | | |

*Connector supplied with special contacts (large barrel)

8525 Series



Hermetic connectors

| | |
|--------------------------|--|
| basic series | 8525 - I H 18 B 32 P N H ... |
| shell type | <ul style="list-style-type: none"> I - solder fixing receptacle 02 - square flange receptacle 07 - jam nut receptacle |
| hermetic version | H - stainless steel |
| contact layout | - see table p 45 |
| contact type | P - male contact only |
| orientation | <ul style="list-style-type: none"> N - normal W, X, Y, Z - see table p 46 |
| obligatory suffix | |
| specification | 002 - large flange 02 H version |

Backshells aluminum version

| | |
|-----------------------|---|
| basic series | 852 - 01 A 18 |
| backshell type | <ul style="list-style-type: none"> 01 - backnut 02 - straight cable clamp 03 - elbow cable clamp 17 - backshell for heatshrink sleeving 57 - backnut for heatshrink sleeving 18 - backshell for solder shield termination |
| plating | <ul style="list-style-type: none"> A - black anodized R - black anodized with blue anodized backshell nut N - nickel J - yellow cadmium |
| shell size | 08-10-12-14-16-18-20-22-24 |

Backshells stainless steel version

| | |
|-----------------------|---|
| basic series | 8527 - 01 14 • |
| backshell type | <ul style="list-style-type: none"> 01 - backnut 02 - straight cable clamp |
| shell size | 08-10-12-14-16-18-20-22-24 |
| specification | A - obligatory suffix for backshell type 02 only |

8525 Series



Cross reference list

| ALUMINIUM VERSION / DESIGNATION | FCI SOURIAU | ASN-E | NSA | NFC 93422 - HE 302 | ABS | |
|---|--------------------|-----------------|---------------------|--------------------|--------------------|----------------|
| square flange receptacle | 8525-10 R | H008* | ASN-E 0053 R E | NSA 938001 R P S | | |
| | 8525-10 N | H008* | ASN-E 0053 N E | | | |
| | 8525-10 R | HL | ASN-E 0053 R F | NSA 938001 R P S C | | |
| | 8525-10 N | HL | ASN-E 0053 N F | | | |
| | 8525-10 R | H | | | HE 302-0R P 1F | |
| | 8525-10 N | H | | | HE 302-0R P 6F | |
| | jam nut receptacle | 8525-17 R | H008* | ASN-E 0054 R E | NSA 938002 R P S | |
| | | 8525-17 N | H008* | ASN-E 0054 N E | | |
| | | 8525-17 R | HL | ASN-E 0054 R F | NSA 938002 R P S C | |
| | | 8525-17 N | HL | ASN-E 0054 N F | | |
| | | 8525-17 R | H | | | HE 302-7R P 1F |
| | | 8525-17 N | H | | | HE 302-7R P 6F |
| plug | 8525-16 R | H008* | ASN-E 0052 R E | NSA 938000 R P S | | |
| | 8525-16 N | H008* | | | | |
| | 8525-16 R | HL | ASN-E 0052 R F | NSA 938000 R P S C | | |
| | 8525-16 N | HL | | | | |
| | 8525-16 R | H | | | HE 302-6R P 1F | |
| | 8525-16 N | H | | | HE 302-6R P 6F | |
| RFI shielded plug | 8525-36 N | H008* | ASN-E 0052 N E | | | |
| | 8525-36 N | HL | ASN-E 0052 N F | | | |
| | 8525-36 N | H | | | HE 302-8R P 6F | |
| STAINLESS STEEL VERSION | FCI SOURIAU | ASN-E | NSA | NFC 93422 - HE 302 | ABS | |
| square flange receptacle | 8525-10 K | H008* | | | | ABS 0595 S E |
| | 8525-10 K | HL | | | | ABS 0595 S F |
| jam nut receptacle | 8525-17 K | H008* | | | | ABS 0594 S E |
| | 8525-17 K | HL | | | | ABS 0594 S F |
| RFI shielded plug | 8525-36 K | H008* | | | | ABS 0592 S E |
| | 8525-36 K | HL | | | | ABS 0592 S F |
| square flange hermetic recep. | 8525-02 H | P H | | | HE 302-2H P 0F | |
| jam nut hermetic receptacle | 8525-07 H | P H | | | HE 302-7H P 0F | |
| solder mounting hermetic receptacle | 8525-1 H | P H | | | HE 302-1H P 0F | |
| ACCESSORIES | | | | | | |
| backnut | 852-01 R | ASN-E 0046-01 B | NSA 938 150 02 | HE 302-01R B1 | | |
| straight cable clamp | 852-01 A | ASN-E 0046-01 N | | HE 302-01G B6 | | |
| elbow cable clamp | 852-02 R | ASN-E 0047-01 B | NSA 938 150 03 | HE 302-02R B1 | | |
| | 852-02 A | ASN-E 0047-01 N | | HE 302-02G B6 | | |
| backshell for heatshrink sleeving | 852-03 R | ASN-E 0047-02 B | NSA 938 150 01 | HE 302-03R B1 | | |
| | 852-03 A | ASN-E 0047-02 N | | HE 302-03G B6 | | |
| backshell for solder shield termination | 852-17 R | | | HE 302-04R B1 | | |
| | 852-17 A | | | HE 302-04G B6 | | |
| thread protective nut | 852-18 R | | | HE 302-05R B1 | | |
| | 852-18 A | | | HE 302-05G B6 | | |
| male contacts | 852-04 R | ASN-E 0046-02 B | NSA 938 003 | | | |
| | 852-04 A | ASN-E 0046-02 N | | | | |
| | 8522-2349 A | | NSA 938 151 PA 2000 | | | |
| | 8526-1349 | | NSA 938 151 PA 1600 | | | |
| | 8526-1350 | | NSA 938 151 PA 1200 | | | |
| female contacts | 8522-6179 A | | NSA 938 151 PA 1601 | | | |
| | 8520-292 | | NSA 938 152 SA 2000 | | | |
| | 8526-1346 | | NSA 938 152 SA 1600 | | | |
| | 8526-1347 | | NSA 938 152 SA 1200 | | | |
| | 8526-1344 | | | | | |
| male thermocouple contacts | 8522-875 | | NSA 938 152 PB 2000 | | | |
| | 8522-876 | | NSA 938 152 PC 2000 | | | |
| female thermocouple contacts | 8522-877 | | NSA 938 152 SB 2000 | | | |
| | 8522-878 | | NSA 938 152 SC 2000 | | | |
| female mini coax. contacts | 8522-1-001 | | NSA 938 171 PL 1600 | | | |
| male mini coax. contacts | 8522-2-001 | | | | | |
| | 8522-2-002 | | NSA 938 172 SL 1600 | | | |
| cap for receptacle | 852 -R | | NSA 938 005 | HE 302-B00 AF | | |
| cap for plug | 852 -R | | NSA 938 007 | HE 302-B16 AF | | |

* 008 : for # 20 contact layouts - 068 : for mixed contact # 20 and # 16 - nothing : for # 16 or # 12 contact layouts

8525 Series



Contact layouts viewed from front face of male insulator

| shells | | | | | | | | |
|---------|---------|----------|-------------------|-------------------|------------------|-------------------|--------------------|-----------------------|
| 8 | 10 | 12 | 14 | 16 | 18 | 20 | 22 | 24 |
| 8 B 3A* | 10 B 6* | 12 B 10* | 14 B 19* | 16 B 26* | 18 B 32* | 20 B 41* | 22 B 55* | 24 B 61* |
| | | | | | | | | |
| 3 # 20 | 6 # 20 | 10 # 20 | 19 # 20 | 26 # 20 | 32 # 20 | 41 # 20 | 55 # 20 | 61 # 20 |
| 8 B 33* | SN 0394 | 12 B 3* | 14 B 15* | 16 B 8* | 18 B 11 | 20 B 39* | 22 B 41* | 24 B 31 |
| | | | | | | | | |
| 3 # 20 | 1 coax | 3 # 16 | 14 # 20 1 # 16 | 8 # 16 | 11 # 16 | 37 # 20 2 # 16 | 27 # 20 14 # 16 | 31 # 16 |
| | | | 14 B 12* | 16 B 21 | 18 B 8* | 20 B 16* | 22 B 21* | 24 B 19 |
| | | | | | | | | |
| | | | 8 # 20 4 # 16 | 16 # 20 5 # 16 | 8 # 12 | 16 # 16 | 21 # 16 | 19 # 12 |
| | | | 14 B 5* | | SN 0468 | 20 B 34 | 22 B 12 | SN 1229 |
| | | | | | | | | |
| | | | 5 # 16 | | 2 # 12 2 # 20 | 26 # 20 8 # 16 | 12 # 12 | 52 Ø 1 2 coax # 12 |
| | | | 14 B 4* | | | | | SN 0797 |
| | | | | | | | | |
| | | | 4 # 12 | | | | | 58 Ø 1 1 coax 50 Ω |

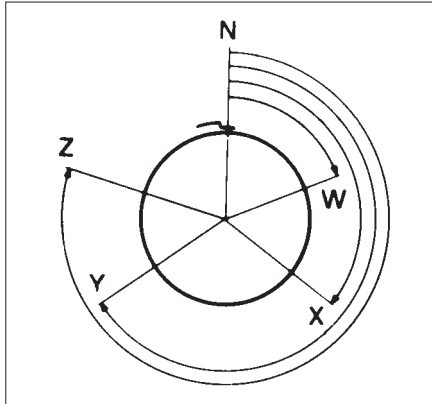
* hermetic receptacle available
 Specials (SHTP)

8525 Series



Polarization viewed from front face of male insulator

(insulator rotated inside metal body)



| shell size | layouts | service I 1500 Vrms | service II 2300 Vrms | number of contacts | | | angles in degrees | | | | |
|------------|---------|------------------------|-------------------------|--------------------|---------|---------|-------------------|-----|-----|-----|-----|
| | | | | size 20 | size 16 | size 12 | N | W | X | Y | Z |
| 08 | 8 B 3 A | X | | 3 | | | 0 | 60 | 210 | - | - |
| | 8 B 33 | X | | 3 | | | 0 | 90 | - | - | |
| 10 | 10 B 6 | X | | 6 | | | 0 | 90 | - | - | |
| 12 | 12 B 10 | X | | 10 | | | 0 | 60 | 155 | 270 | 295 |
| | 12 B 3 | | X | | 3 | | 0 | 140 | 220 | 180 | - |
| 14 | 14 B 19 | X | | 19 | | | 0 | 30 | 165 | 315 | - |
| | 14 B 15 | X | | 14 | 1 | | 0 | 17 | 110 | 155 | 234 |
| | 14 B 12 | X | | 8 | 4 | | 0 | 43 | 90 | - | - |
| | 14 B 5 | | X | | 5 | | 0 | 40 | 92 | 184 | 273 |
| | 14 B 4 | X | | | | 4 | 0 | 45 | - | - | - |
| 16 | 16 B 26 | X | | 26 | | | 0 | 60 | - | 275 | 338 |
| | 16 B 8 | | X | | 8 | | 0 | 54 | 152 | 180 | 331 |
| | 16 B 21 | X | | 16 | 5 | | 0 | - | - | - | - |
| 18 | 18 B 32 | X | | 32 | | | 0 | 85 | 138 | 222 | 265 |
| | 18 B 11 | | X | | 11 | | 0 | 62 | 119 | 241 | 340 |
| | 18 B 8 | X | | | | 8 | 0 | 180 | - | - | - |
| 20 | 20 B 41 | X | | 41 | | | 0 | 45 | 126 | 225 | - |
| | 20 B 39 | X | | 37 | 2 | | 0 | 63 | 144 | 252 | 333 |
| | 20 B 16 | | X | | 16 | | 0 | 238 | 318 | 333 | 347 |
| | 20 B 34 | X | | 26 | 8 | | 0 | - | - | - | - |
| 22 | 22 B 55 | X | | 55 | | | 0 | 30 | 142 | 226 | 314 |
| | 22 B 41 | X | | 27 | 14 | | 0 | 39 | 135 | 264 | - |
| | 22 B 21 | | X | | 21 | | 0 | 16 | 135 | 175 | 349 |
| | 22 B 12 | X | | | | 12 | 0 | - | - | - | - |
| 24 | 24 B 61 | X | | 61 | | | 0 | 90 | 180 | 270 | 324 |
| | 24 B 31 | X | | | 31 | | 0 | 90 | 225 | 255 | - |
| | 24 B 19 | | X | | | 19 | 0 | 30 | 165 | 315 | - |

Contacts

| contact size | # 20 standard | # 20 special | # 16 standard | # 16 special | # 12 standard | # 12 special |
|--------------|---------------|--------------|---------------|--------------|---------------|--------------|
|--------------|---------------|--------------|---------------|--------------|---------------|--------------|

Technical characteristics

| | | | | | | |
|--------------------|--------|--------|-----------|-----------|-----------|-----------|
| diameter | 1 mm | 1 mm | 1,6 mm | 1,6 mm | 2,4 mm | 2,4 mm |
| retention force | 90 N | 90 N | 115 N | 115 N | 136 N | 136 N |
| current rating | 7,5 A | 7,5 A | 13 A | 13 A | 23 A | 23 A |
| contact resistance | ≤ 1 mΩ | ≤ 1 mΩ | ≤ 0,55 mΩ | ≤ 0,55 mΩ | ≤ 0,35 mΩ | ≤ 0,35 mΩ |

Admissible wires

| | | | | | | |
|-----------------------------|------------------------------|------------------------------|------------------------------|------------------------------|------------------------------|------------------------------|
| external Ø over insulator | 0,98 to 2,11 mm | 0,98 to 2,11 mm | 1,34 to 2,62 mm | 1,34 to 2,62 mm | 2,45 to 4,01 mm | 0,98 to 2,11 mm |
| admissible section | 0,21 to 0,60 mm ² | 0,38 to 0,93 mm ² | 0,60 to 1,34 mm ² | 0,60 to 1,91 mm ² | 1,91 to 3,18 mm ² | 0,38 to 0,93 mm ² |
| wire gauge | 24 to 20 | 22 to 18 | 20 to 16 | 18 to 14 | 14 to 12 | 22 to 18 |
| reducing sleeve for wire of | 0,09 to 0,21 mm ² | - | - | - | - | - |

Part numbers

| | | | | | | |
|--|---------------|----------------|---------------|-------------|---------------|---------------|
| male contact | 8526-1348 | 8522-2349 A | 8526-1349 | 8522-6179 A | 8526-1350 | 8526-5041 |
| female contact | 8526-1344 | 8520-292 | 8526-1346 | 8522-6180 A | 8526-1347 | 8526-5591 A |
| colour code | red-red | red-violet | blue-blue | blue-orange | yellow-yellow | violet-yellow |
| male contact thermocouple - chromel | 8522-875 | 8522-3761 | 8522-881 | - | 8522-887 | - |
| colour code | yellow | yellow | yellow | - | yellow | - |
| thermocouple - alumel | 8522-876 | 8522-3760 | 8522-882 | - | 8522-888 | - |
| colour code | black (1 dot) | black (2 dots) | black (1 dot) | - | black (1 dot) | - |
| female contact thermocouple - chromel | 8522-877 | 8522-3770 | 8522-883 | - | 8522-889 | - |
| colour code | yellow | yellow | yellow | - | yellow | - |
| thermocouple - alumel | 8522-878 | 8522-3771 | 8522-884 | - | 8522-890 | - |
| colour code | black | black (2 dots) | black (1 dot) | - | black (1 dot) | - |
| reducing sleeve | 8522-2142 | - | - | - | - | - |

Minicoax contacts

minicoax installed instead of size 16 contacts

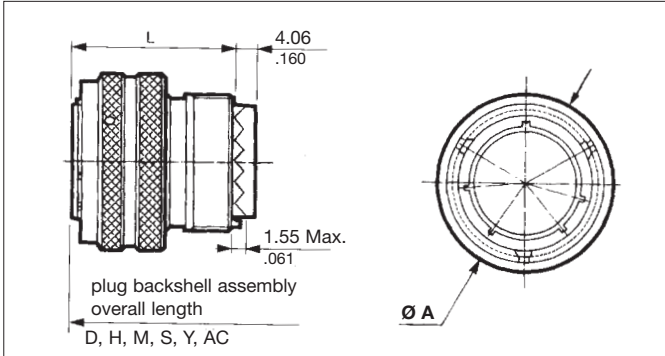
| | | | |
|-----------------|---|---|----------------------------------|
| male contacts | | 8522-2-001 | 8522-2-002 |
| female contacts | | 8522-1-001 | 8522-1-002 |
| cables accepted | - | RG 316 U KX 22 A RG 174 U KX 3 A RG 188 A/U RG 179 B/U | RG 178 B/U KX 21 A RG 196 A/U |

8525 Series



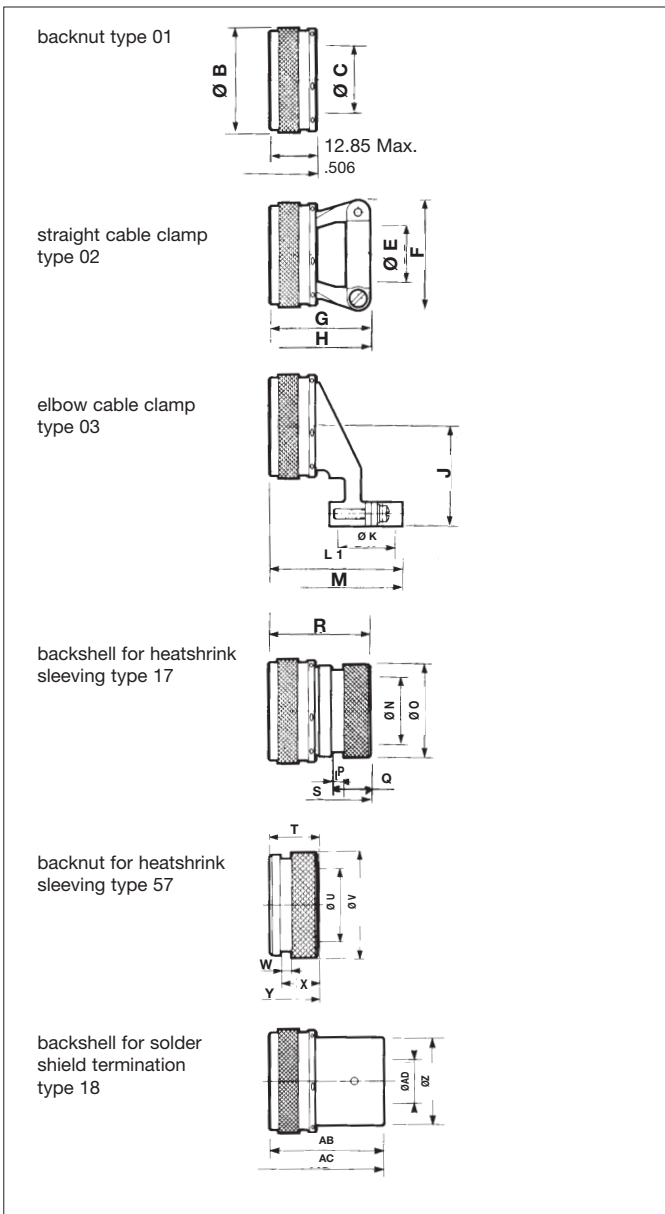
Dimensions

Plug type 16 and 36



| shell size | A Max | B Max | C | D Max | E Max | F Max | G Max | H Max | L Max |
|------------|----------------|----------------|----------------|----------------|----------------|----------------|----------------|----------------|----------------|
| 8 | 18.95 .746 | 15.65 .616 | 6.75 .266 | 31.40 1.236 | 5.85 .230 | 19.10 .752 | 22.25 .876 | 40.80 1.606 | 25.50 1.004 |
| 10 | 22.65 .892 | 18.60 .732 | 9.40 .370 | 31.40 1.236 | 8.70 .343 | 20.30 .799 | 22.25 .876 | 40.80 1.606 | 25.50 1.004 |
| 12 | 25.75 1.014 | 21.75 .856 | 12.80 .504 | 31.40 1.236 | 12.00 .472 | 23.50 .925 | 22.25 .876 | 40.80 1.606 | 25.50 1.004 |
| 14 | 29.75 1.171 | 24.95 .982 | 14.75 .581 | 31.40 1.236 | 16.75 .659 | 25.50 1.004 | 27.45 1.081 | 46.00 1.811 | 25.50 1.004 |
| 16 | 32.95 1.297 | 28.20 1.110 | 17.95 .707 | 31.40 1.236 | 20.55 .809 | 29.50 1.161 | 27.45 1.081 | 46.00 1.811 | 25.50 1.004 |
| 18 | 35.35 1.392 | 30.90 1.217 | 19.95 .785 | 31.40 1.236 | 22.55 .888 | 32.30 1.272 | 27.45 1.081 | 46.00 1.811 | 25.50 1.004 |
| 20 | 38.75 1.526 | 34.15 1.344 | 23.10 .909 | 32.70 1.287 | 25.75 1.014 | 36.00 1.417 | 27.45 1.081 | 47.30 1.862 | 27.00 1.063 |
| 22 | 41.85 1.648 | 37.25 1.467 | 26.30 1.035 | 32.70 1.287 | 28.95 1.140 | 39.00 1.535 | 27.45 1.081 | 47.30 1.862 | 27.00 1.063 |
| 24 | 45.05 1.774 | 40.45 1.593 | 29.20 1.150 | 32.70 1.287 | 32.05 1.262 | 42.70 1.681 | 27.45 1.081 | 47.30 1.862 | 27.00 1.063 |

Backshells



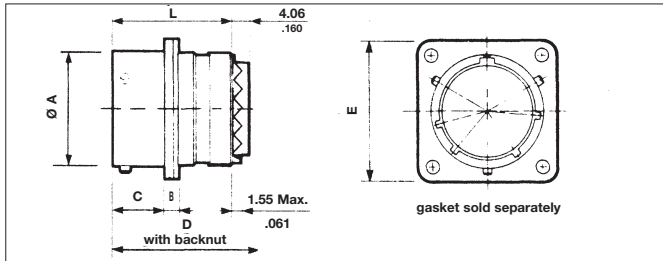
| shell size | J Max | K min. | K Max | L Max | M Max | N min. | O Max | P | Q Max | R Max |
|------------|----------------|----------------|----------------|----------------|----------------|----------------|----------------|--------------|---------------|----------------|
| 8 | 20.00 .787 | 4.00 .157 | 5.85 .230 | 25.00 .984 | 43.80 1.724 | 6.75 .266 | 13.50 .531 | 3.30 .130 | 10.60 .417 | 28.55 1.124 |
| 10 | 22.20 .874 | 6.85 .270 | 8.70 .343 | 27.90 1.098 | 46.70 1.839 | 9.40 .370 | 15.35 .604 | 3.30 .130 | 10.60 .417 | 28.55 1.124 |
| 12 | 24.00 .945 | 10.15 .400 | 12.00 .472 | 31.20 1.228 | 50.00 1.969 | 12.80 .504 | 19.65 .774 | 3.30 .130 | 10.60 .417 | 28.55 1.124 |
| 14 | 24.50 .965 | 11.70 .461 | 16.75 .659 | 32.80 1.291 | 51.60 2.031 | 14.75 .581 | 21.25 .837 | 3.30 .130 | 10.60 .417 | 28.55 1.124 |
| 16 | 27.00 1.063 | 15.50 .610 | 20.55 .809 | 36.50 1.437 | 55.30 2.177 | 17.93 .706 | 24.45 .963 | 3.30 .130 | 10.60 .417 | 28.55 1.124 |
| 18 | 28.60 1.126 | 17.50 .689 | 22.55 .888 | 38.50 1.516 | 57.30 2.256 | 19.94 .785 | 26.45 1.041 | 3.30 .130 | 10.60 .417 | 28.55 1.124 |
| 20 | 30.10 1.185 | 20.70 .815 | 25.75 1.014 | 41.80 1.646 | 61.90 2.437 | 23.11 .910 | 30.90 1.217 | 3.30 .130 | 10.60 .417 | 28.55 1.124 |
| 22 | 31.90 1.256 | 23.90 .941 | 28.95 1.140 | 45.00 1.772 | 65.10 2.563 | 26.29 1.035 | 34.40 1.354 | 3.30 .130 | 10.60 .417 | 28.55 1.124 |
| 24 | 33.40 1.315 | 27.00 1.063 | 32.05 1.262 | 48.00 1.890 | 68.10 2.681 | 29.20 1.150 | 36.65 1.443 | 3.30 .130 | 10.60 .417 | 28.55 1.124 |

| shell size | S Max | I | U min. | V Max | W | X Max | Y Max | Z | AB Max | AC Max | AD Max |
|------------|----------------|---------------|----------------|----------------|--------------|---------------|----------------|----------------|----------------|----------------|---------------|
| 8 | 46.90 1.846 | 13.72 .540 | 6.75 .266 | 17.48 .688 | 3.30 .130 | 10.50 .413 | 32.00 1.260 | 11.50 .453 | 27.55 1.085 | 45.90 1.807 | 6.50 .256 |
| 10 | 46.90 1.846 | 13.72 .540 | 9.40 .370 | 20.40 .803 | 3.30 .130 | 10.50 .413 | 32.00 1.260 | 15.00 .591 | 27.55 1.085 | 45.90 1.807 | 8.50 .335 |
| 12 | 46.90 1.846 | 13.72 .540 | 12.80 .504 | 23.83 .938 | 3.30 .130 | 10.50 .413 | 32.00 1.260 | 18.00 .709 | 27.55 1.085 | 45.90 1.807 | 12.50 .492 |
| 14 | 46.90 1.846 | 13.72 .540 | 14.75 .581 | 27.00 1.063 | 3.30 .130 | 10.50 .413 | 32.00 1.260 | 21.00 .827 | 31.55 1.242 | 49.90 1.965 | 13.50 .531 |
| 16 | 46.90 1.846 | 13.72 .540 | 17.93 .706 | 31.45 1.238 | 3.30 .130 | 10.50 .413 | 32.00 1.260 | 24.00 .945 | 31.55 1.242 | 49.90 1.965 | 17.50 .689 |
| 18 | 46.90 1.846 | 13.72 .540 | 19.94 .785 | 33.27 1.310 | 3.30 .130 | 10.50 .413 | 32.00 1.260 | 25.50 1.004 | 31.55 1.242 | 49.90 1.965 | 19.50 .768 |
| 20 | 48.20 1.898 | 13.72 .540 | 23.11 .910 | 36.47 1.436 | 3.30 .130 | 10.50 .413 | 33.30 1.311 | 28.50 1.122 | 35.55 1.400 | 55.20 2.173 | 23.00 .906 |
| 22 | 48.20 1.898 | 13.72 .540 | 26.29 1.035 | 39.62 1.560 | 3.30 .130 | 10.50 .413 | 33.30 1.311 | 32.00 1.260 | 35.55 1.400 | 55.20 2.173 | 23.00 .906 |
| 24 | 48.20 1.898 | 13.72 .540 | 29.20 1.150 | 42.82 1.686 | 3.30 .130 | 10.50 .413 | 33.30 1.311 | 35.00 1.378 | 35.55 1.400 | 55.20 2.173 | 23.00 .906 |

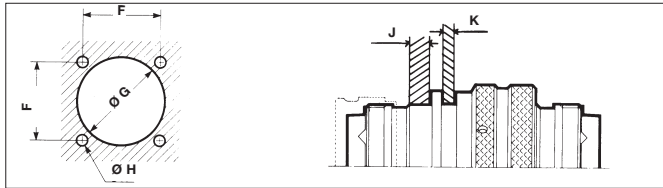
8525 Series



Square flange receptacle type 10

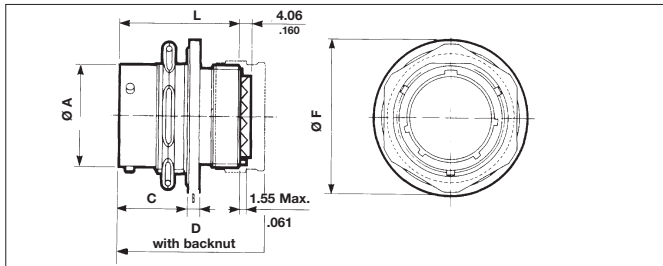


panel cut-out

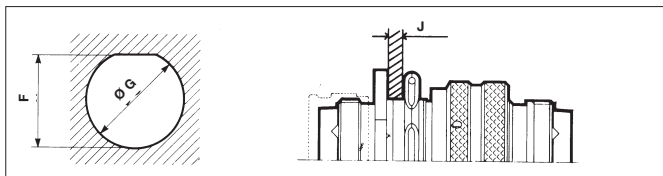


| shell size | A Max | B Max | C Max | D Max | E Max | F | G | H | J Max | K Max | L Max |
|------------|----------------|--------------|---------------|----------------|----------------|----------------|----------------|--------------|--------------|--------------|----------------|
| 8 | 12.03 .474 | 1.37 .054 | 11.70 .461 | 29.80 1.173 | 21.00 .827 | 15.09 .594 | 14.43 .568 | 3.05 .120 | 3.17 .125 | 2.21 .087 | 25.50 1.004 |
| 10 | 15.01 .591 | 1.37 .054 | 11.70 .461 | 29.80 1.173 | 24.25 .955 | 18.26 .719 | 17.40 .685 | 3.05 .120 | 3.17 .125 | 2.21 .087 | 25.50 1.004 |
| 12 | 19.07 .751 | 1.37 .054 | 11.70 .461 | 29.80 1.173 | 26.55 1.045 | 20.62 .812 | 21.95 .864 | 3.05 .120 | 3.17 .125 | 2.21 .087 | 25.50 1.004 |
| 14 | 22.25 .876 | 1.37 .054 | 11.70 .461 | 29.80 1.173 | 28.90 1.138 | 23.01 .906 | 25.12 .989 | 3.05 .120 | 3.17 .125 | 2.21 .087 | 25.50 1.004 |
| 16 | 25.42 1.001 | 1.37 .054 | 11.70 .461 | 29.80 1.173 | 31.30 1.232 | 24.61 .969 | 28.27 1.113 | 3.05 .120 | 3.17 .125 | 2.21 .087 | 25.50 1.004 |
| 18 | 28.60 1.126 | 1.37 .054 | 11.70 .461 | 29.80 1.173 | 33.70 1.327 | 26.97 1.062 | 31.45 1.238 | 3.05 .120 | 3.17 .125 | 2.21 .087 | 25.50 1.004 |
| 20 | 31.77 1.251 | 2.20 .087 | 14.35 .565 | 31.60 1.244 | 36.90 1.453 | 29.36 1.156 | 34.62 1.363 | 3.05 .120 | 3.17 .125 | 5.38 .212 | 27.30 1.075 |
| 22 | 34.95 1.376 | 2.20 .087 | 14.35 .565 | 31.60 1.244 | 40.00 1.575 | 31.75 1.250 | 37.80 1.488 | 3.05 .120 | 3.17 .125 | 5.38 .212 | 27.30 1.075 |
| 24 | 38.12 1.501 | 2.20 .087 | 14.35 .565 | 31.60 1.244 | 43.30 1.705 | 34.92 1.375 | 41.02 1.615 | 3.73 .147 | 3.17 .125 | 5.38 .212 | 27.30 1.075 |

Jam nut receptacle type 17

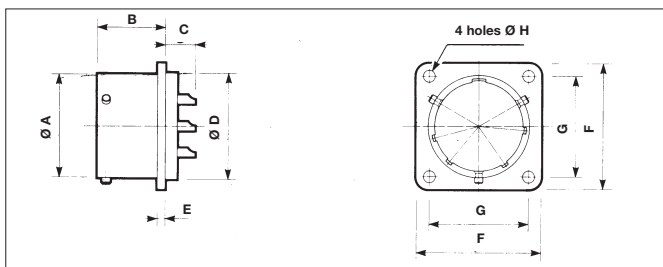


panel cut-out

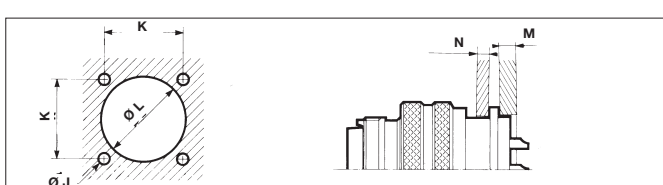


| shell size | A Max | B | C | D Max | F Max | G | H | J Max | L Max |
|------------|----------------|--------------|---------------|----------------|----------------|----------------|----------------|--------------|----------------|
| 8 | 12.03 .474 | 2.35 .093 | 17.35 .683 | 30.30 1.193 | 23.30 .917 | 14.53 .572 | 13.61 .536 | 4.75 .187 | 25.90 1.020 |
| 10 | 15.01 .591 | 2.35 .093 | 17.35 .683 | 30.30 1.193 | 26.60 1.047 | 17.70 .697 | 16.79 .661 | 4.75 .187 | 25.90 1.020 |
| 12 | 19.07 .751 | 2.35 .093 | 17.35 .683 | 30.30 1.193 | 31.35 1.234 | 22.73 .895 | 20.93 .824 | 4.75 .187 | 25.90 1.020 |
| 14 | 22.25 .876 | 2.35 .093 | 17.35 .683 | 30.30 1.193 | 34.55 1.360 | 25.65 1.010 | 24.08 .948 | 4.75 .187 | 25.90 1.020 |
| 16 | 25.42 1.001 | 2.35 .093 | 17.35 .683 | 30.30 1.193 | 37.70 1.484 | 28.83 1.135 | 27.23 1.072 | 4.75 .187 | 25.90 1.020 |
| 18 | 28.60 1.126 | 2.35 .093 | 17.35 .683 | 30.30 1.193 | 40.90 1.610 | 32.00 1.260 | 30.40 1.197 | 4.75 .187 | 25.90 1.020 |
| 20 | 31.77 1.251 | 2.55 .100 | 18.95 .746 | 32.00 1.260 | 45.65 1.797 | 35.18 1.385 | 33.58 1.322 | 6.35 .250 | 27.50 1.083 |
| 22 | 34.95 1.376 | 2.55 .100 | 18.95 .746 | 32.00 1.260 | 48.85 1.923 | 38.35 1.510 | 36.75 1.447 | 6.35 .250 | 27.50 1.083 |
| 24 | 38.12 1.501 | 2.55 .100 | 19.00 .748 | 32.00 1.260 | 52.00 2.047 | 41.53 1.635 | 39.93 1.572 | 5.55 .219 | 27.50 1.083 |

Square flange hermetic receptacle type 02 H



panel cut-out

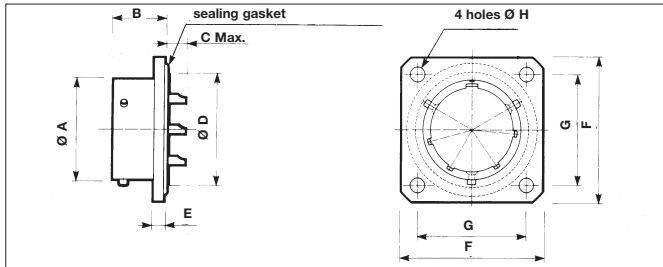


| shell size | A Max | B Max | C #20 | C #12-#16 | D Max | E Max | F Max | G | H | J | K | L | M | N Max |
|------------|----------------|---------------|--------------|--------------|----------------|--------------|----------------|----------------|--------------|--------------|----------------|----------------|--------------|--------------|
| 8 | 12.02 .473 | 12.78 .503 | 6.50 .256 | - | 14.27 .562 | 1.97 .078 | 21.02 .828 | 15.09 .594 | 3.10 .122 | 3.10 .122 | 15.10 .594 | 14.70 .579 | 3.50 .138 | 2.30 .091 |
| 10 | 14.99 .590 | 12.78 .503 | 6.50 .256 | - | 17.06 .672 | 1.97 .078 | 24.22 .954 | 18.26 .719 | 3.10 .122 | 3.10 .122 | 18.25 .719 | 17.50 .689 | 3.50 .138 | 2.30 .091 |
| 12 | 19.05 .750 | 12.78 .503 | 6.50 .256 | 7.75 .305 | 19.83 .781 | 1.97 .078 | 26.58 1.046 | 20.62 .812 | 3.10 .122 | 3.10 .122 | 20.60 .811 | 20.20 .795 | 3.50 .138 | 2.30 .091 |
| 14 | 22.23 .875 | 12.78 .503 | 6.50 .256 | 7.75 .305 | 23.01 .906 | 1.97 .078 | 28.96 1.140 | 23.01 .906 | 3.10 .122 | 3.10 .122 | 23.00 .906 | 23.40 .921 | 3.50 .138 | 2.30 .091 |
| 16 | 25.40 1.000 | 12.78 .503 | 6.50 .256 | 7.75 .305 | 26.18 1.031 | 1.97 .078 | 31.33 1.233 | 24.61 .969 | 3.10 .122 | 3.10 .122 | 24.60 .969 | 26.60 1.047 | 3.50 .138 | 2.30 .091 |
| 18 | 28.58 1.125 | 12.78 .503 | 6.50 .256 | 7.75 .305 | 29.36 1.156 | 1.97 .078 | 33.72 1.328 | 26.97 1.062 | 3.10 .122 | 3.10 .122 | 27.00 1.063 | 29.80 1.173 | 3.50 .138 | 2.30 .091 |
| 20 | 31.75 1.250 | 14.82 .583 | 6.10 .240 | 7.30 .287 | 31.74 1.250 | 2.38 .094 | 36.90 1.453 | 29.37 1.156 | 3.10 .122 | 3.10 .122 | 29.40 1.157 | 32.20 1.268 | 3.50 .138 | 5.40 .213 |
| 22 | 34.93 1.375 | 14.82 .583 | 6.10 .240 | 7.30 .287 | 34.92 1.375 | 2.38 .094 | 40.07 1.578 | 31.75 1.250 | 3.10 .122 | 3.10 .122 | 31.75 1.250 | 35.30 1.390 | 3.50 .138 | 5.40 .213 |
| 24 | 38.10 1.500 | 15.62 .615 | 5.40 .209 | 6.50 .256 | 38.09 1.500 | 2.38 .094 | 43.26 1.703 | 34.92 1.375 | 3.75 .148 | 3.80 .150 | 34.90 1.374 | 38.40 1.512 | 3.50 .138 | 5.40 .213 |

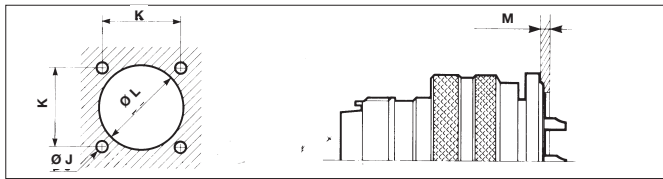
8525 Series



Square flange hermetic receptacle type 02 H specif. 002

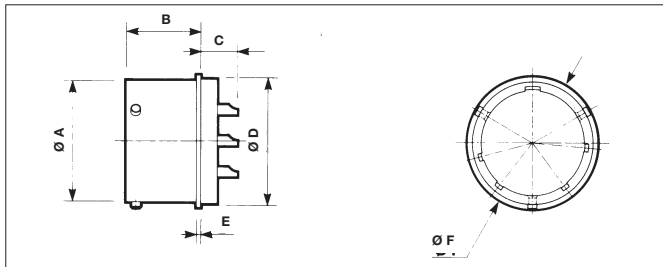


panel cut-out

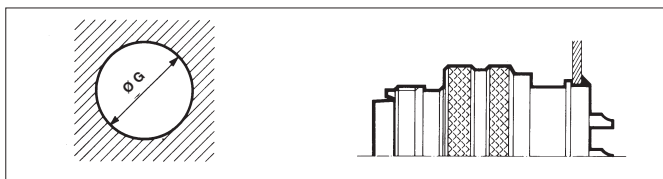


| shell size | A | B | C | | D | E | F | G | H | J | K | L | M |
|------------|----------------|---------------|--------------|--------------|----------------|--------------|----------------|----------------|--------------|--------------|----------------|----------------|--------------|
| | Max | Max | #20 | #12-#16 | Max | Max | Max | | | | | | |
| 8 | 12.02 .473 | 13.56 .534 | 5.75 .226 | - - | 14.27 .562 | 2.75 .108 | 26.40 1.039 | 18.10 .713 | 3.80 .150 | 3.80 .150 | 18.10 .713 | 14.70 .579 | 3.50 .138 |
| 10 | 14.99 .590 | 13.56 .534 | 5.75 .226 | - - | 17.06 .672 | 2.75 .108 | 28.90 1.138 | 20.62 .812 | 3.80 .150 | 3.80 .150 | 20.62 .812 | 17.50 .689 | 3.50 .138 |
| 12 | 19.05 .750 | 13.56 .534 | 5.75 .226 | 7.00 .276 | 19.83 .781 | 2.75 .108 | 32.10 1.264 | 23.82 .938 | 3.80 .150 | 3.80 .150 | 23.82 .938 | 20.20 .795 | 3.50 .138 |
| 14 | 22.23 1.125 | 13.56 .534 | 5.75 .226 | 7.00 .276 | 23.01 .906 | 2.75 .108 | 34.50 1.449 | 26.18 1.125 | 3.80 .150 | 3.80 .150 | 26.18 1.125 | 23.40 1.047 | 3.50 .138 |
| 16 | 25.40 1.000 | 13.56 .534 | 5.75 .226 | 7.00 .276 | 26.18 1.031 | 2.75 .108 | 36.80 1.449 | 28.57 1.125 | 3.80 .150 | 3.80 .150 | 28.57 1.125 | 26.60 1.047 | 3.50 .138 |
| 18 | 28.58 1.125 | 13.56 .534 | 5.75 .226 | 7.00 .276 | 29.36 1.156 | 2.75 .108 | 38.80 1.528 | 30.55 1.203 | 3.80 .150 | 3.80 .150 | 30.55 1.203 | 29.80 1.173 | 3.50 .138 |
| 20 | 31.75 1.250 | 15.99 .630 | 4.95 .195 | 6.20 .244 | 31.74 1.250 | 3.55 .140 | 42.80 1.685 | 32.94 1.297 | 3.80 .150 | 3.80 .150 | 32.94 1.297 | 32.20 1.268 | 3.50 .138 |
| 22 | 34.93 1.375 | 15.99 .630 | 4.95 .195 | 6.20 .244 | 34.92 1.375 | 3.55 .140 | 44.80 1.764 | 34.92 1.375 | 3.80 .150 | 3.80 .150 | 34.92 1.375 | 35.30 1.390 | 3.50 .138 |
| 24 | 38.10 1.500 | 16.79 .661 | 4.15 .163 | 5.40 .213 | 38.09 1.500 | 3.55 .140 | 47.90 1.886 | 38.10 1.500 | 3.80 .150 | 3.80 .150 | 38.10 1.500 | 38.40 1.512 | 3.50 .138 |

Solder mounting hermetic receptacle type IH

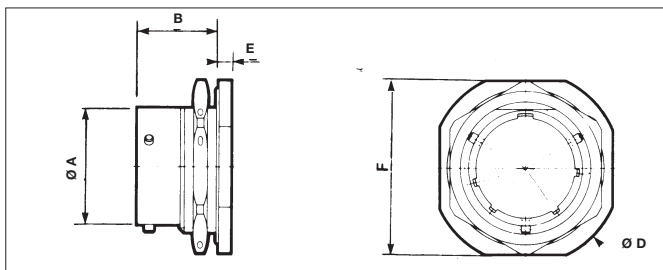


panel cut-out

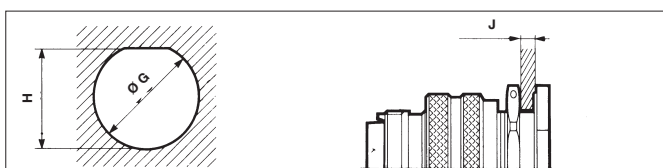


| shell size | A | B | C | | D | E | F | G |
|------------|----------------|---------------|--------------|--------------|----------------|--------------|----------------|----------------|
| | Max | Max | #20 | #12-#16 | Max | Max | Max | Max |
| 8 | 12.02 .473 | 11.71 .461 | 7.60 .299 | - - | 14.27 .562 | 0.90 .035 | 16.12 .635 | 14.70 .579 |
| 10 | 14.99 .590 | 11.71 .461 | 7.60 .299 | - - | 17.06 .672 | 0.90 .035 | 19.30 .760 | 17.50 .689 |
| 12 | 19.05 .750 | 11.71 .461 | 7.60 .299 | 8.80 .346 | 19.83 .781 | 0.90 .035 | 21.68 .854 | 20.20 .795 |
| 14 | 22.23 .875 | 11.71 .461 | 7.60 .299 | 8.80 .346 | 23.01 .906 | 0.90 .035 | 24.86 .979 | 23.40 .921 |
| 16 | 25.40 1.000 | 11.71 .461 | 7.60 .299 | 8.80 .346 | 26.18 1.031 | 0.90 .035 | 28.03 1.104 | 26.60 1.047 |
| 18 | 28.58 1.125 | 11.71 .461 | 7.60 .299 | 8.80 .346 | 29.36 1.156 | 0.90 .035 | 31.18 1.228 | 29.80 1.173 |
| 20 | 31.75 1.250 | 13.34 .525 | 7.55 .297 | 8.80 .346 | 31.74 1.250 | 0.90 .035 | 33.57 1.322 | 32.10 1.264 |
| 22 | 34.92 1.375 | 13.34 .525 | 7.55 .297 | 8.80 .346 | 34.92 1.375 | 0.90 .035 | 36.77 1.448 | 35.30 1.390 |
| 24 | 38.10 1.500 | 14.14 .557 | 6.75 .266 | 8.00 .315 | 38.09 1.500 | 0.90 .035 | 39.94 1.572 | 38.40 1.512 |

Jam nut hermetic receptacle type 07H



panel cut-out

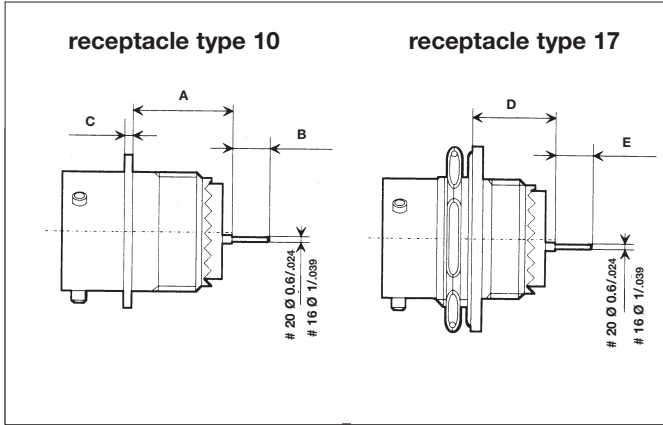


| shell size | A | B | D | E | F | G | H | J min | J Max |
|------------|----------------|---------------|----------------|--------------|----------------|----------------|----------------|--------------|--------------|
| | Max | Max | Max | Max | Max | | | | |
| 8 | 12.02 .473 | 17.70 .697 | 27.37 1.078 | 2.65 .104 | 24.07 .948 | 14.60 .575 | 13.60 .535 | 1.57 .062 | 4.75 .187 |
| 10 | 14.99 .590 | 17.70 .697 | 30.57 1.204 | 2.65 .104 | 27.22 1.072 | 17.70 .697 | 16.80 .661 | 1.57 .062 | 4.75 .187 |
| 12 | 19.05 .750 | 17.70 .697 | 35.32 1.391 | 2.65 .104 | 32.00 1.260 | 22.70 .894 | 20.90 .823 | 1.57 .062 | 4.75 .187 |
| 14 | 22.23 .875 | 17.70 .697 | 38.50 1.516 | 2.65 .104 | 35.17 1.385 | 25.70 1.012 | 24.10 .949 | 1.57 .062 | 4.75 .187 |
| 16 | 25.40 1.000 | 17.70 .697 | 41.67 1.641 | 2.65 .104 | 38.35 1.510 | 28.80 1.134 | 27.20 1.071 | 1.57 .062 | 4.75 .187 |
| 18 | 28.58 1.125 | 17.70 .697 | 44.85 1.766 | 2.65 .104 | 41.52 1.635 | 32.00 1.260 | 30.40 1.197 | 1.57 .062 | 4.75 .187 |
| 20 | 31.75 1.250 | 19.30 .760 | 49.62 1.954 | 3.40 .134 | 46.27 1.822 | 35.20 1.386 | 33.60 1.323 | 1.57 .062 | 6.35 .250 |
| 22 | 34.93 1.375 | 19.30 .760 | 52.77 2.078 | 3.40 .134 | 49.47 1.948 | 38.40 1.512 | 36.80 1.449 | 1.57 .062 | 6.35 .250 |
| 24 | 38.10 1.500 | 19.30 .760 | 55.97 2.204 | 3.40 .134 | 52.62 2.072 | 41.50 1.634 | 39.90 1.571 | 1.57 .062 | 5.55 .219 |

8525 Series



Receptacle with straight spill contacts



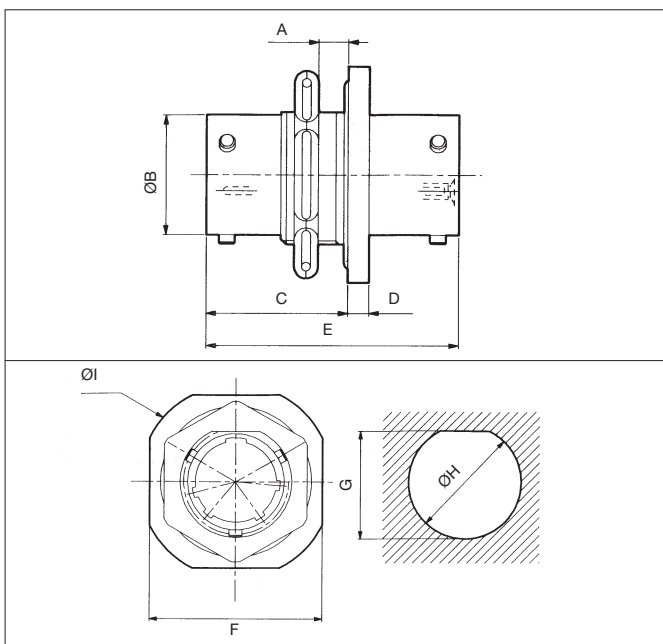
| | shell size | 8 | 10 | 12 | 14 | 16 | 18 | 20 | 22 | 24 |
|---------|------------|--------|---------------|---------------|---------------|---------------|---------------|---------------|---------------|---------------|
| TYPE 10 | A | min | 16.30 .642 | 16.30 .642 | 16.30 .642 | 16.30 .642 | 16.30 .642 | 14.40 .567 | 14.40 .567 | 13.60 .535 |
| | | Max | 17.50 .689 | 17.50 .689 | 17.50 .689 | 17.50 .689 | 15.50 .610 | 17.50 .689 | 15.70 .618 | 15.10 .594 |
| | B | 0/-0.2 | 7.30 .287 | 7.30 .287 | 7.30 .287 | 7.30 .287 | 7.30 .287 | 7.30 .287 | 7.30 .287 | 7.30 .287 |
| TYPE 17 | D | min | 12.50 .492 | 12.50 .492 | 12.50 .492 | 12.50 .492 | 12.50 .492 | 12.50 .492 | 12.50 .492 | 12.50 .492 |
| | | Max | 13.40 .528 | 13.40 .528 | 13.40 .528 | 13.40 .528 | 13.40 .528 | 13.40 .528 | 13.40 .528 | 13.40 .528 |
| | E | 0/-0.2 | 7.30 .287 | 7.30 .287 | 7.30 .287 | 7.30 .287 | 7.30 .287 | 7.30 .287 | 7.30 .287 | 7.30 .287 |

Pin / socket hermetic through bulkhead (Specials SHTP)

Ordering information

| | | | | |
|----------------|-------------------|-------------|----|---|
| basic series | SN 845 | - * * - * * | PS | * |
| contact layout | please contact us | | | |
| contact type | male / female | | | |
| polarization | please contact us | | | |

Dimensions



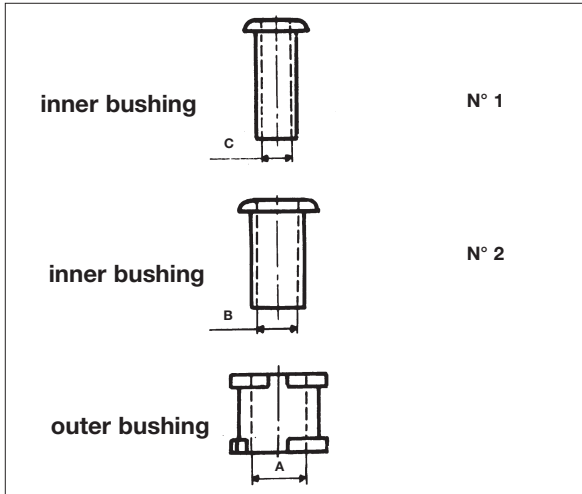
| shell size | A Max | B | C | D | E | F | G | H | I |
|------------|--------------|----------------|---------------|--------------|----------------|----------------|----------------|----------------|----------------|
| 8 | 4.75 .187 | 12.02 .473 | 17.70 .697 | 2.60 .102 | 31.40 1.236 | 23.82 .938 | 13.60 .535 | 14.60 .575 | 26.97 1.062 |
| 10 | 4.75 .187 | 14.99 .590 | 17.70 .697 | 2.60 .102 | 31.40 1.236 | 26.97 1.062 | 16.80 .661 | 17.70 .697 | 30.17 1.188 |
| 12 | 4.75 .187 | 19.05 .750 | 17.70 .697 | 2.60 .102 | 31.40 1.236 | 31.75 1.250 | 20.90 .823 | 22.70 .894 | 34.92 1.375 |
| 14 | 4.75 .187 | 22.23 .875 | 17.70 .697 | 2.60 .102 | 31.40 1.236 | 34.92 1.375 | 24.10 .949 | 25.70 1.012 | 38.10 1.500 |
| 16 | 4.75 .187 | 25.40 1.000 | 17.70 .697 | 2.60 .102 | 31.40 1.236 | 38.10 1.500 | 27.20 1.071 | 28.80 1.134 | 41.27 1.625 |
| 18 | 4.75 .187 | 28.58 1.125 | 17.70 .697 | 2.60 .102 | 31.40 1.236 | 41.27 1.625 | 30.40 1.197 | 32.00 1.260 | 44.45 1.750 |
| 20 | 6.35 .250 | 31.75 1.250 | 19.30 .760 | 3.40 .134 | 34.60 1.362 | 46.02 1.812 | 33.60 1.323 | 35.20 1.386 | 49.22 1.938 |
| 22 | 6.35 .250 | 34.93 1.375 | 19.30 .760 | 3.40 .134 | 34.60 1.362 | 49.22 1.938 | 36.80 1.449 | 38.40 1.512 | 52.37 2.062 |
| 24 | 5.55 .219 | 38.10 1.500 | 19.30 .760 | 3.40 .134 | 34.60 1.362 | 52.37 2.062 | 39.90 1.571 | 41.50 1.634 | 55.57 2.188 |

8525 Series



Accessories

Backshell bushings



part numbers

| shell size | outer bushings | inner bushings N°1 | inner bushings N°2 | A | B | C |
|------------|----------------|--------------------|--------------------|---------------|---------------|---------------|
| 8 | 8525-866 A | - | - | 3.00 .118 | - | - |
| 10 | 8525-867 A | - | - | 4.00 .157 | - | - |
| 12 | 8525-868 A | 8525-860 A | - | 7.92 .312 | 5.58 .220 | - |
| 14 | 8525-869 A | 8525-861 A | - | 11.09 .437 | 7.92 .312 | - |
| 16 | 8525-870 A | 8525-861 A | - | 11.09 .437 | 7.92 .312 | - |
| 18 | 8525-871 A | 8525-862 A | 8525-861 A | 14.27 .562 | 11.09 .437 | 7.92 .312 |
| 20 | 8525-872 A | 8525-863 A | 8525-862 A | 15.87 .625 | 14.27 .562 | 11.09 .437 |
| 22 | 8525-873 A | 8525-864 A | 8525-863 A | 19.04 .750 | 15.87 .625 | 14.27 .562 |
| 24 | 8525-874 A | 8525-865 A | 8525-864 A | 23.79 .937 | 19.04 .750 | 15.87 .625 |

Gaskets

| shell size | gaskets for square flange receptacle types 10 and 02 H (ordered separately) | part numbers | | |
|------------|---|--|---|---|
| | | O-rings for jam nut receptacle type 17 | O-rings for square flange receptacle type 07 H (spare O-ring) | O-rings for square flange receptacle type 02 H suffix. 002 (spare O-ring) |
| 8 | 8525-1431 | MS9068-016 | 70617 A | 70617 A |
| 10 | 8525-1432 | MS9068-018 | 70618 A | 70618 A |
| 12 | 8525-1433 | MS9068-021 | 70619 A | 70619 A |
| 14 | 8525-1434 | MS9068-023 | 70620 A | 70620 A |
| 16 | 8525-1435 | MS9068-025 | 70621 A | 70621 A |
| 18 | 8525-1436 | MS9068-027 | 70622 A | 70622 A |
| 20 | 8525-1437 | MS9068-029 | 70623 A | 70709 A |
| 22 | 8525-1438 | MS9068-030 | 70624 A | 70623 A |
| 24 | 8525-1439 | MS9068-031 | 70625 A | 70624 A |

Reusable fixing plate

Two, three or four-holes self-locking fixing-plates are available at SHTP see page 126.

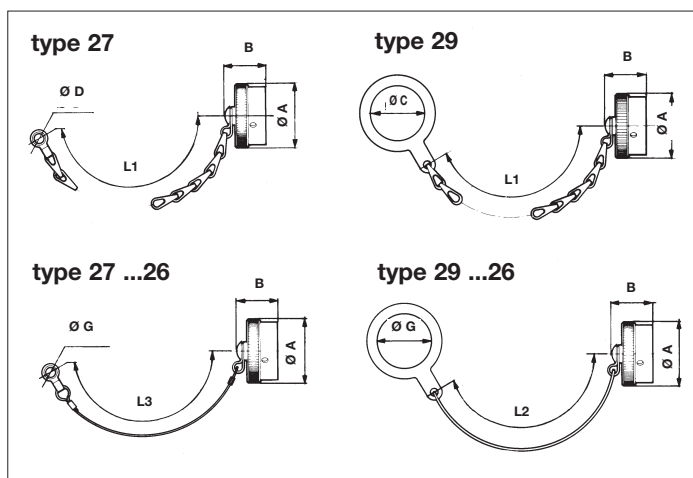
8525 Series



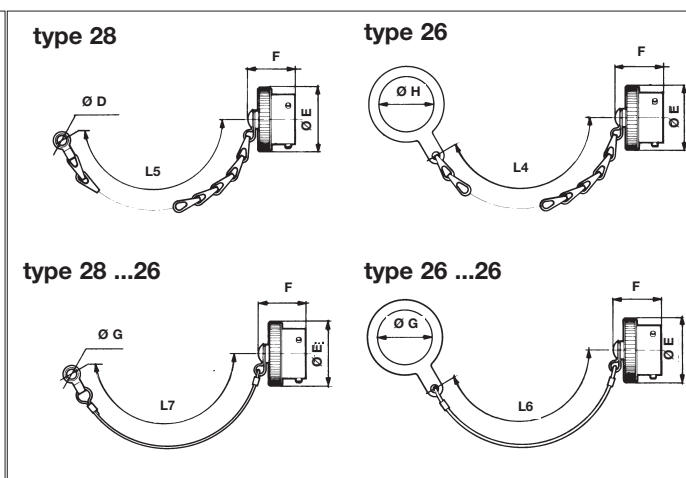
Caps

| | |
|---------------|---|
| basic series | 852 - 28 R 18 •• |
| cap type | 26 - cap for plug (fixing on plug) 27 - cap for square flange receptacle 28 - cap for plug (fixing on backshell) 29 - cap for jam nut receptacle |
| plating | R - black anodized N - nickel J - yellow cadmium |
| shell size | 08-10-12-14-16-18-20-22-24 |
| specification | — - metal chain, leave blank 26 - nylon cord |

caps for receptacle



caps for plug



| shell size | A Max | B Max | C Max | D | E Max | F Max | G | H Max | L1 | L2 | L3 | L4 | L5 | L6 | L7 |
|------------|----------------|---------------|----------------|--------------|----------------|---------------|--------------|----------------|-----------------|-----------------|-----------------|-----------------|-----------------|-----------------|-----------------|
| 8 | 19.00 .748 | 21.50 .846 | 14.80 .583 | 3.50 .138 | 16.80 .661 | 19.90 .783 | 3.50 .138 | 14.80 .583 | 84.00 3.307 | 80.00 3.150 | 128.00 5.039 | 84.00 3.307 | 132.00 5.197 | 80.00 3.150 | 128.00 5.039 |
| 10 | 21.80 .858 | 21.50 .846 | 18.00 .709 | 3.50 .138 | 19.80 .780 | 19.90 .783 | 3.50 .138 | 17.90 .705 | 84.00 3.307 | 80.00 3.150 | 128.00 5.039 | 84.00 3.307 | 132.00 5.197 | 80.00 3.150 | 128.00 5.039 |
| 12 | 26.10 1.028 | 21.50 .846 | 22.70 .894 | 3.50 .138 | 23.90 .941 | 19.90 .783 | 3.50 .138 | 22.70 .894 | 100.00 3.937 | 90.00 3.543 | 140.00 5.512 | 100.00 3.937 | 148.00 5.827 | 90.00 3.543 | 140.00 5.512 |
| 14 | 29.30 1.154 | 21.50 .846 | 25.90 1.020 | 3.50 .138 | 27.00 1.063 | 19.90 .783 | 3.50 .138 | 25.90 1.020 | 100.00 3.937 | 90.00 3.543 | 140.00 5.512 | 100.00 3.937 | 148.00 5.827 | 90.00 3.543 | 140.00 5.512 |
| 16 | 32.50 1.280 | 21.50 .846 | 29.00 1.142 | 3.50 .138 | 30.20 1.189 | 19.90 .783 | 3.50 .138 | 29.00 1.142 | 100.00 3.937 | 90.00 3.543 | 140.00 5.512 | 100.00 3.937 | 148.00 5.827 | 90.00 3.543 | 140.00 5.512 |
| 18 | 35.30 1.390 | 21.50 .846 | 32.20 1.268 | 3.50 .138 | 33.40 1.315 | 19.90 .783 | 3.50 .138 | 32.20 1.268 | 100.00 3.937 | 90.00 3.543 | 140.00 5.512 | 100.00 3.937 | 148.00 5.827 | 90.00 3.543 | 140.00 5.512 |
| 20 | 38.80 1.528 | 21.50 .846 | 35.40 1.394 | 3.50 .138 | 36.50 1.437 | 21.50 .846 | 3.50 .138 | 35.40 1.394 | 116.00 4.567 | 110.00 4.331 | 153.00 6.024 | 116.00 4.567 | 116.00 4.567 | 110.00 4.331 | 153.00 6.024 |
| 22 | 42.00 1.654 | 21.50 .846 | 38.60 1.520 | 3.50 .138 | 39.80 1.567 | 21.50 .846 | 3.50 .138 | 38.60 1.520 | 116.00 4.567 | 110.00 4.331 | 153.00 6.024 | 116.00 4.567 | 116.00 4.567 | 110.00 4.331 | 153.00 6.024 |
| 24 | 45.10 1.776 | 22.30 .878 | 41.70 1.642 | 3.50 .138 | 42.90 1.689 | 22.30 .878 | 3.50 .138 | 41.70 1.642 | 116.00 4.567 | 110.00 4.331 | 153.00 6.024 | 116.00 4.567 | 116.00 4.567 | 110.00 4.331 | 153.00 6.024 |