

# Online Catalog

Welcome to Laird Technologies' Online Catalog.



HOME > ONLINE CATALOG

## Antennas & Reception Solutions

Vehicular Antennas & Telematics  
Base Station & Backhaul Antennas  
In-Building, CPE, Access Point, &  
Mobile Client Antennas  
RFID Antennas  
Mobile Radio Antennas

## EMI Solutions

EMI Shielding & Gaskets  
Specialty EMI Solutions  
Ferrite Products

## Thermal Management Solutions

Thermal Interface Materials  
Thermally Conductive PCB Materials  
Thermoelectric Assemblies  
Thermoelectric Modules

## Wireless Solutions & M2M

Telematics & Tracking Devices  
Proprietary Radio Modules  
ZigBee Radio Modules  
Bluetooth Radio Modules  
WLAN Radio Modules

Search Catalog

[All Categories](#) > [Ferrite Cores for Cables - Wiring Harnesses - Connectors](#) > [Round and Cylindrical Cores](#) > [Broadband Split / Snap-on Ferrite Cores for Round Cables](#) > [Item # 28A0640-0A2](#)

### Request Information

#### Item # 28A0640-0A2, Broadband Split / Snap-on Ferrite Cores for Round Cables

#### Stock Locator

For retrofit and post-assembly operations, Laird Technologies offers a selection of "split" components. Similar in performance to Laird Technologies' one piece core designs, these split ferrite cores provide excellent common and differential mode EMI suppression on round cable assemblies. Lightweight, inexpensive plastic snap-on cases provide secure closure of the split cores onto the cable.

-  [Download PDF](#)
-  [Printable Page](#)
-  [Email This Page](#)
-  [Save To Favorites](#)

#### MORE IMAGES

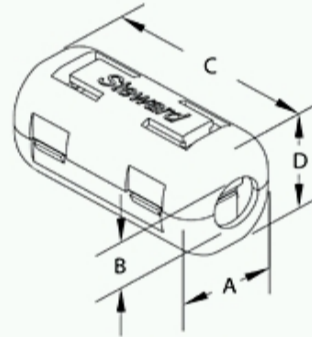
[Impedance Curves](#)

#### DOWNLOADS

[Part Number Nomenclature \(ASP\)](#)



[larger image](#)



[larger image](#)

Specifications	Features	Applications
Figure Number	1	
Case A	19.90 mm	
Case B	9.80 mm	
Case C	41.40 mm	
Case D	21.65 mm	
Max. Cable Diameter	0.352 in 8.95 mm	
Typical Z Ohms at 25 MHz	105	
Nominal Z Ohms at 100 MHz	240	
Typical Z Ohms at 300 MHz	390	
Material Type	Broad Band Material	
Product Type Code	Split round cores (Snap-Ons)	
Part Size Code	0640	
Additional Description	Plastic Case	
Case Color	Black	

### Request Information