

DATA RSS, RSM, RSL ROCKER SWITCHES – LATCHING ACTION



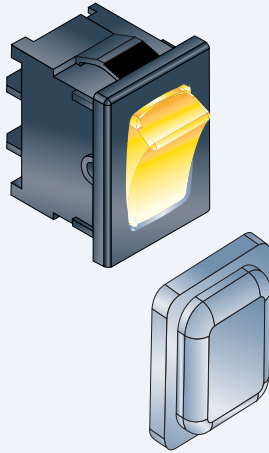
BENEFITS

- Absolute reliability and simple assembly
- Short lead time for all standard types
- Excellent price/performance ratio
- Various lettering options
- 1-pole and 2-pole versions, manufactured using high-quality materials

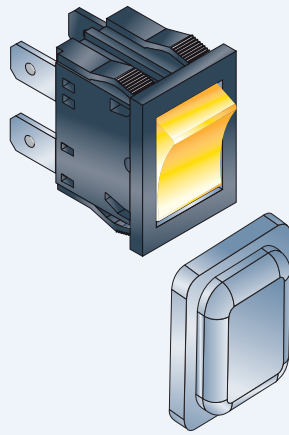
		RSS/RSM	RSL
Electrical data			
Switching capacity max.		12(4) A 250 V ~ 6(4) A 250 V ~ 5E4	16(6) A 250 V ~ 10(4) A 250 V ~ 5E4
Switching capacity max.		12A/125 - 250 V AC 1/2HP 250 V AC 1/3HP 125 V AC	16A 250 V AC 3/4HP 250 V AC 20A 125 V AC 1/3HP 125 V AC
Ambient temperature max.		T120 / 55 T65	T120 / 55 T65
Lifetime electrical	[cycles]	10,000	10,000
	5E4 [cycles]	50,000	50,000
Insulation resistance	[MΩ]	> 10	> 10
Contact resistance	[mΩ]	< 50	< 50
Contact opening	[mm]	> 3	> 3
Creeping current resistance		PTI 250	PTI 250
Mechanical data			
Cover		IP 44	IP 65
Class of appliance		II	II
Lifetime mechanical	[operations]	> 50,000	> 50,000
Degree of protection		IP 40	IP 40
Other data			
Flammability rating		UL 94 V-2	UL 94 V-2
According Norm		IEC/EN 61058 - 1 UL 1054	IEC/EN 61058 - 1 UL 1054
Packaging			
loose in boxes		x	x

DIMENSIONS RSS, RSM, RSL ROCKER SWITCHES—LATCHING ACTION

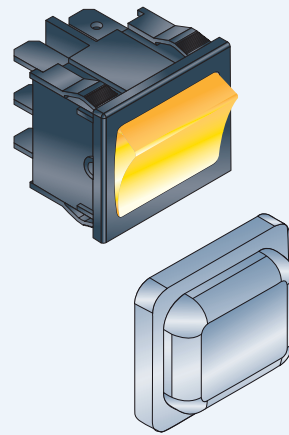
CONSTRUCTION



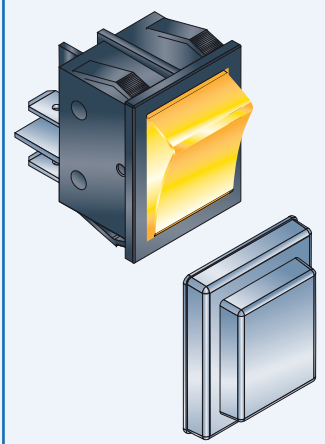
RSS 1 pole



RSS 2 pole

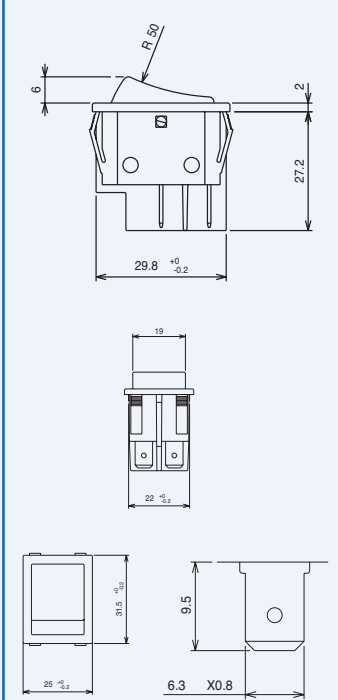
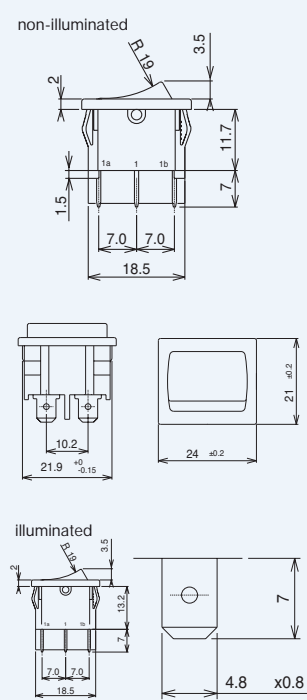
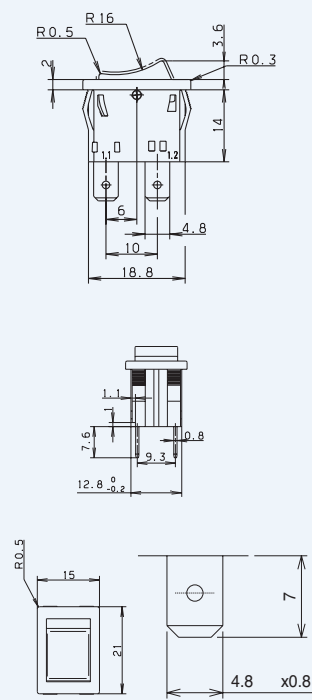
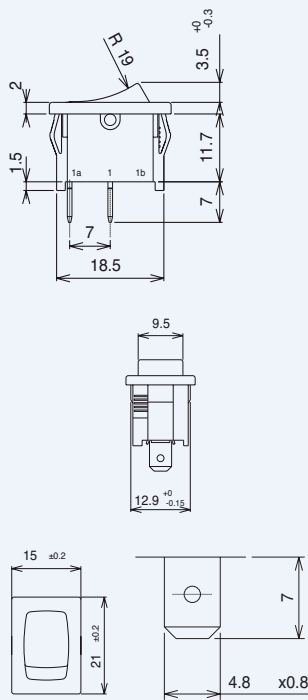


RSM

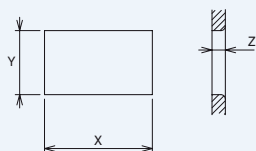


RSL

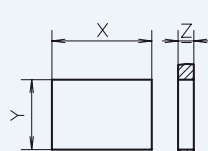
DIMENSIONS



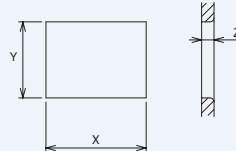
MOUNTING



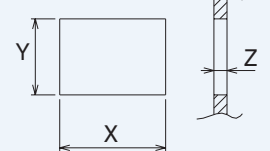
Z	Y	X
0.75-1.25	13.0 ± 0.1	19.0 $\begin{smallmatrix} +0.2 \\ 0 \end{smallmatrix}$
1.25-2	13.0 ± 0.1	19.3 $\begin{smallmatrix} +0.2 \\ 0 \end{smallmatrix}$
2-3	13.0 ± 0.1	19.6 $\begin{smallmatrix} +0.2 \\ 0 \end{smallmatrix}$



Z	Y	X
0.7...1.25	13.0 ± 0.1	19.1 ± 0.1
1.25...2.0	13.0 ± 0.1	19.4 ± 0.1
2.0...3.0	13.0 ± 0.1	19.7 ± 0.1



Z	Y	X
0.75-1.25	22.0 ± 0.1	19.0 $\begin{smallmatrix} +0.2 \\ 0 \end{smallmatrix}$
1.25-2	22.0 ± 0.1	19.3 $\begin{smallmatrix} +0.2 \\ 0 \end{smallmatrix}$
2-3	22.0 ± 0.1	19.6 $\begin{smallmatrix} +0.2 \\ 0 \end{smallmatrix}$



Z	Y	X
0.75-1.25	22.0 $\begin{smallmatrix} +0.2 \\ 0 \end{smallmatrix}$	30.0 $\begin{smallmatrix} 0 \\ -0.1 \end{smallmatrix}$
1.25-2	22.0 $\begin{smallmatrix} +0.2 \\ 0 \end{smallmatrix}$	30.2 $\begin{smallmatrix} 0 \\ -0.1 \end{smallmatrix}$
2-3	22.0 $\begin{smallmatrix} +0.2 \\ 0 \end{smallmatrix}$	30.6 $\begin{smallmatrix} 0 \\ -0.2 \end{smallmatrix}$
3-4	22.0 $\begin{smallmatrix} +0.2 \\ 0 \end{smallmatrix}$	30.8 $\begin{smallmatrix} 0 \\ -0.2 \end{smallmatrix}$

OVERVIEW RSS, RSM, RSL ROCKER SWITCHES-LATCHING ACTION



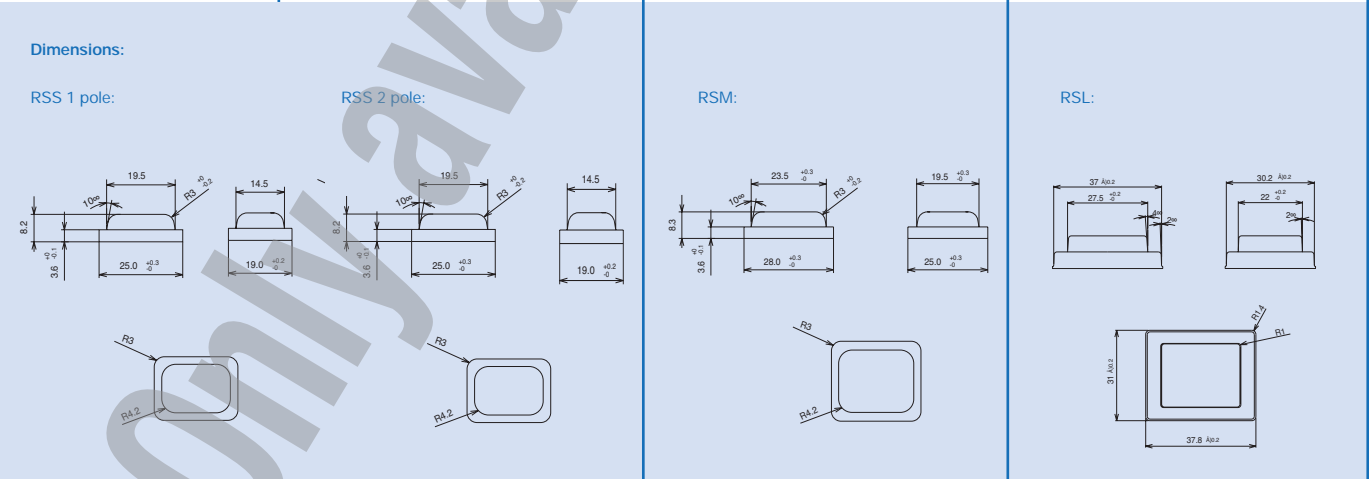
All types are lettered to describe the switch state (see product photo).	RSS	RSM	RSL

FEATURES

Terminals	Quick-connect terminals 4.8mm x 0.8mm	Quick-connect terminals 4.8mm x 0.8mm	Quick-connect terminals 6.3mm x 0.8mm
-----------	---------------------------------------	---------------------------------------	---------------------------------------

PART NUMBER

1 pole non-illuminated			
Actuator colour:	black	1301.9206	
	red	1301.9208	
2 pole non-illuminated			
Actuator colour:	black	1301.9213	1301.9202
	red		1301.9222
2 pole illuminated			
Actuator colour:	red		1301.9224
	green	1301.9211	1301.9215
Cover, transparent			
Degree of protection IP 65			1301.9214
Degree of protection IP 44	* 1301.9209		* 1301.9210



* Degree of protection IP 65 on request