

IEC Appliance Inlet C14, Snap-in Mounting, Solder, Quick-connect, Screw or PCB Terminal

V-Lock

**Description**

- Panel Mount:
  - Snap-in version, Frontside
- Appliance Inlet, Pin temperature 70 °C, Protection class I
- Solder, quick-connect, screw, PCB

**Approvals**

- VDE Certificate Number: 40011871
- UL File Number: E96454
- CSA File Number: 27324

**References**

We recommend for new applications the type [6100-4](#)

**Weblinks**

[pdf](#), [html](#), [General Product Information](#), [Approvals](#), [RoHS](#), [CHINA-RoHS](#), [Mating Connectors](#), [e-Store](#), [SCHURTER-Stock-Check](#), [Distributor-Stock-Check](#), [Accessories](#)

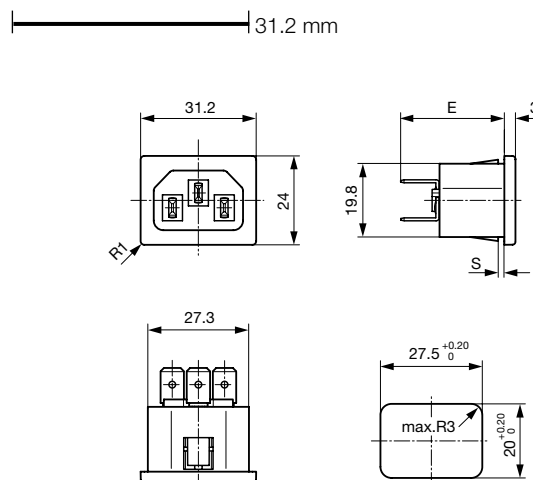
Newly available variants corresponding to V-Lock mating cordset. The connector is equipped with a notch intended for use with the latching cordset. The cord latching system prevents against accidental removal of the cordset.

**Technical Data**

Ratings IEC	10 A / 250 VAC; 50 Hz	Appliance Inlet	C14 acc. to IEC/EN 60320-1
Ratings UL/CSA	15 A / 250 VAC; 60 Hz		UL 498, CSA C22.2 no. 42 (for cold conditions) pin-temperature 70 °C, 10 A, Protection Class 1
Dielectric Strength	> 3 kVAC between L-N > 1.5 kVAC between L/N-PE (1 min/50 Hz)		
Allowable Operation Temp.	-25 °C to 70 °C		
Degree of Protection	from front side IP 20 acc. to IEC 60529		
Protection Class	Suitable for appliances with protection class 1 acc. to IEC 61140		
Terminal	Solder, quick-connect, screw, PCB		
Panel Thickness s	Snap-in version 1/1.2/1.5/2.0/2.5/2.7/3.0/4.0 mm		
Material: Housing	PA6, black / grey / white, UL 94V-0		

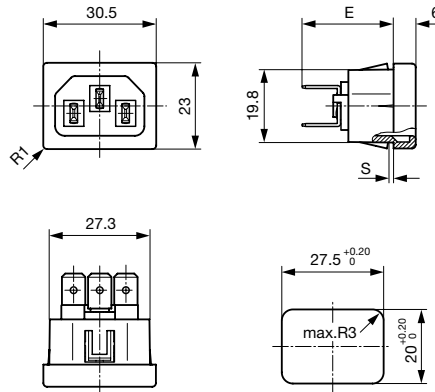
**Dimensions**

Quick connect or solder terminals



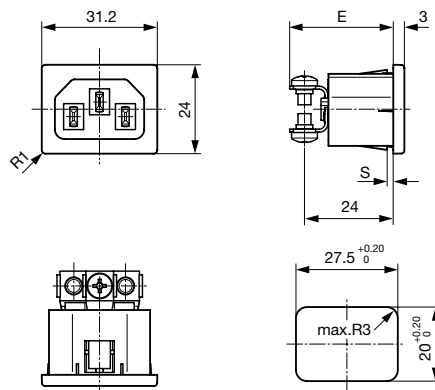
- E: Quick-connect terminals 4.8x0.8 mm: 27.0 mm
- E: Quick-connect terminals 6.3x0.8 mm: 28.0 mm
- E: Solder terminals short: 22.5 mm
- E: Solder terminals long: 26.2 mm

### Quick-connect or solder terminals, housing for V-Lock



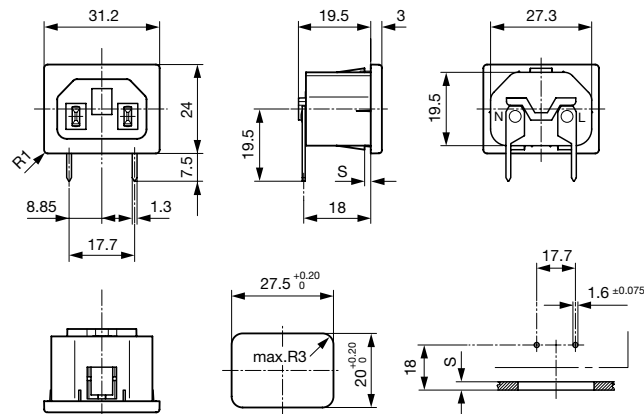
- E: Quick-connect terminals 4.8x0.8 mm: 27.0 mm
- E: Quick-connect terminals 6.3x0.8 mm: 28.0 mm
- E: Solder terminals short: 22.5 mm
- E: Solder terminals long: 26.2 mm

### Screw terminals



- E: Screw terminals M3.5, 28.0 mm

### PCB terminals



## Config. Code

## 6010 - H - A B C 0 - D - E G O

The characters are placeholders for the correspondingly keys of selections from the key tables.

## 6010 - H - A B C 0 - D - E G O = Type

Type	Configuration key
protection class 1	X

## 6010 - H - A B C 0 - D - E G O = Terminals

Terminal L	Configuration key
short solder terminal (L = 4.8 mm)	2
long solder terminal (L = 8.5 mm)	3
Blade terminal (2.8 x 0.8 mm)	7
Blade terminal (4.8 x 0.8 mm)	8
Blade terminal (6.3 x 0.8 mm)	9
screw terminal	A



## 6010 - H - A B C 0 - D - E G O = Terminals

Terminal N	Configuration key
short solder terminal (L = 4.8 mm)	2
long solder terminal (L = 8.5 mm)	3
Blade terminal (2.8 x 0.8 mm)	7
Blade terminal (4.8 x 0.8 mm)	8
Blade terminal (6.3 x 0.8 mm)	9
screw terminal	A

Symbols similar as in table A

## 6010 - H - A B C 0 - D - E G O = Terminals

Terminal Ground	Configuration key
short solder terminal (L = 4.8 mm)	2
long solder terminal (L = 8.5 mm)	3
Blade terminal (2.8 x 0.8 mm)	7
Blade terminal (4.8 x 0.8 mm)	8
Blade terminal (6.3 x 0.8 mm)	9
screw terminal	A

Symbols similar as in table A

## 6010 - H - A B C 0 - D - E G O = Color

Color	Configuration key
jet black; RAL9005	A
silver grey; RAL7001	B
pure white; RAL9010	D

## 6010 - H - A B C 0 - D - E G O = Style

Style	Configuration key
snap-in (x=panel thickness)	4

## 6010 - H - A B C 0 - D - E G O = Dimension X

Dimension "X"	Configuration key
10	
15	
20	
25	
30	
40	

The dimension "X" is displayed in ( $1/_{10}$  mm). This information is also valid for the order code

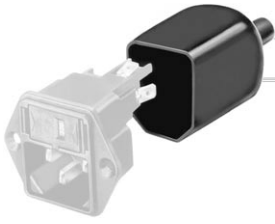
## 6010 - H - A B C 0 - D - E G O = Features

Features	Configuration key
not used	0
V-Lock	V



## Accessories

## Description



Assorted Covers  
Rear Cover

## Mating Outlets/Connectors

## Category / Description

## Appliance Outlet Overview complete



IEC Appliance Outlet F, Screw-on Mounting, Front Side, Solder Terminal	4787
IEC Appliance Outlet F, Snap-in Mounting, Front Side, Solder or Quick-connect Terminal	4788
IEC Appliance Outlet F or H, Screw-on Mounting, Front Side, Solder, PCB or Quick-connect Terminal	5091
IEC Appliance Outlet F or H, Screw-on Mounting, Front Side, Solder or Quick-connect Terminal	5092

## Appliance Outlet further types to 6010

## Connector Overview complete



IEC Connector C15, Rewireable, Straight	0101
IEC Connector C15A, Rewireable, Straight	0102
IEC Connector C15A, Rewireable, Straight	0102-G
IEC Connector C15A, Rewireable, Angled	0112
IEC Connector C13, Rewireable, Angled	4012

## Connector further types to 6010

...

## Power Cord Overview complete



Power Cord with IEC Connector C13, Angled	0311
Power Cord with IEC Connector C13, Angled	3011
Power Cord with IEC Connector C13, Angled	3012
Power Cord with IEC Connector C13, Angled	3013
Power Cord with IEC Connector C13	3020

## Power Cord further types to 6010

...

## Power Supply or Interconnection Cord Overview complete

Divers Power Supply and Interconnection Cords 10 A	Kabelverbindung/10 A
--	----------------------

## Power Supply or Interconnection Cord further types to 6010