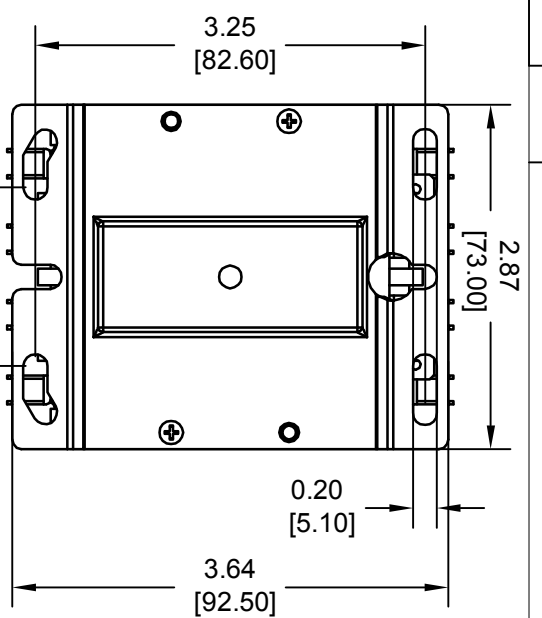
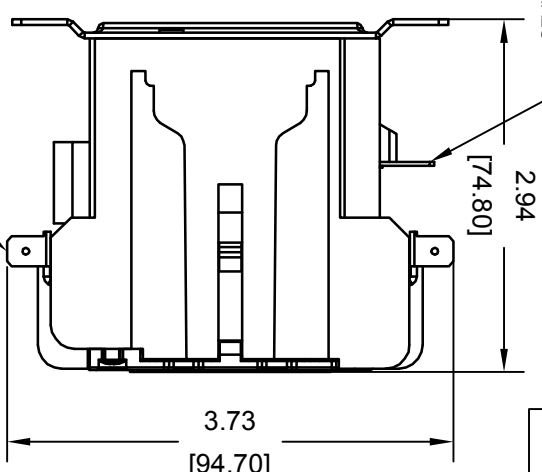
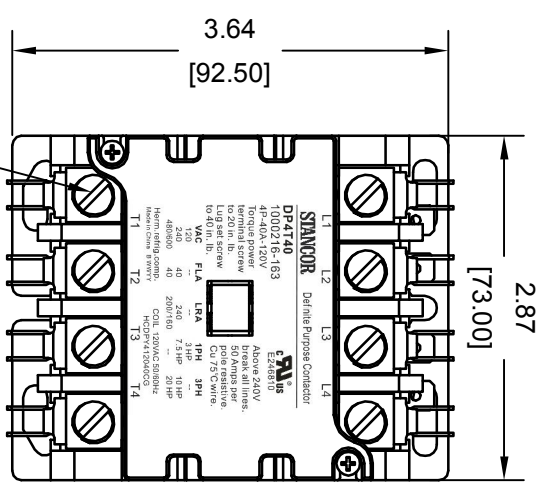


POLES	COIL VAC	FLA	RES	TERMINATION	COVER	INDIVIDUAL BOX
4	120VAC 50/60Hz	40	50	#14-2 COMPRESSION TERMINALS 2 Quick Connect Power Termination	YES	YES

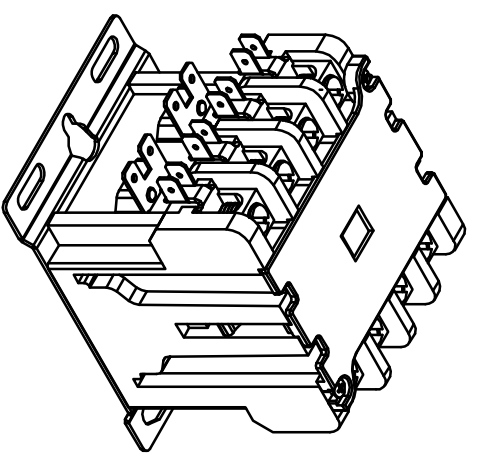
COIL DATA
COIL 120VAC 50/60HZ 120 OHM 90 VAC OPERATE 19.28 IN VA DROPOUT 120 VA INRUSH Z1 VA SEAL MAX VOLTAGE 132 VAC

NOTES: UNLESS OTHERWISE SPECIFIED



RANGE #14-2 AWG
C/U/L AWG BOX LUG (8 PCS)

2X 250X.032 MALE
QUICK CONNECT (8 PCS)



STANCOR Definite Purpose Contactor	Enclosure: OPEN	Power Poles: 4	Amp Rating: FLA 40 RES 50	Coil Voltage: 120VAC 50/60HZ
DP4T40 1000216-163 4P-40A-120V	HCDPY412040CG B.V.V.V.V.Y Made in China			

Individual Box Label

DP4T40 1000216-163 4P-40A-120V HCDPY412040CG QTY.: 24PCS

Master Carton Label

L1 STANCOR Definite Purpose Contactor	L2	L3	L4
DP4T40 1000216-163 4P-40A-120V Torque power break all lines. 50 Amps per pole resistive. Cu 75°C wire. to 40 in. lb. VAC FLA LRA I _{PH} I _{3PH} 120 40 240 7.5 1PH 10HP 480 40 200 60 3PH 20HP Herm refer to comp. COIL 120VAC 50/60HZ HABER IN CHINA B.V.V.V.V.Y HCDPY412040CG	cFV Ez48870	Above 240V break all lines. 50 Amps per pole resistive. Cu 75°C wire.	

Product Label

TOLERANCE	INCHES (mm)
X	±0.06 [1.50]
XX	±0.02 [.50]
XXX	±0.006 [0.150]
X.XXX	±0.002 [0.050]
ANGLES	±1°

REV.	DESCRIPTION	EGN.	OWN.	APPD.	DATE
<p>STANCOR 2425 South 21st Street Phoenix, AZ 85034 www.stancor.com (602)275-3800</p>					
DRAWN BY	DRAWN DATE	CHECKED BY	CHECKED DATE		
DESC. 4P-40A-120V				PAGE	1 OF 1
PART NO. DP4T40					