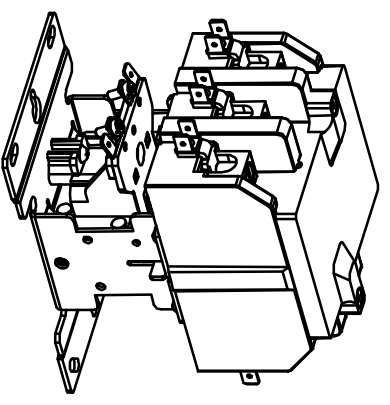
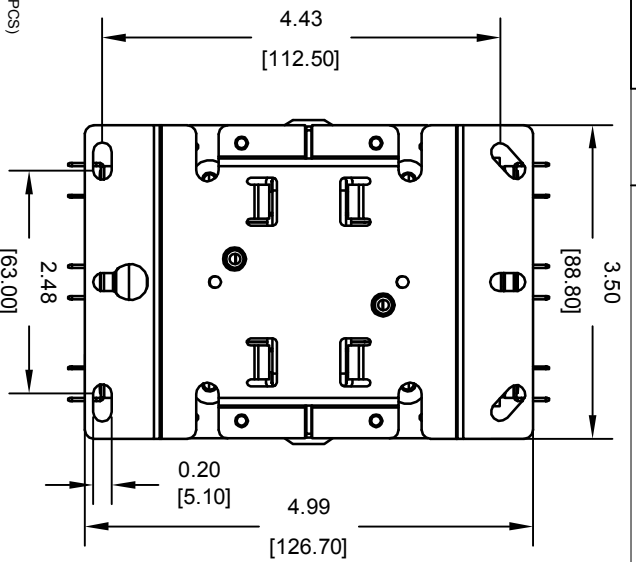
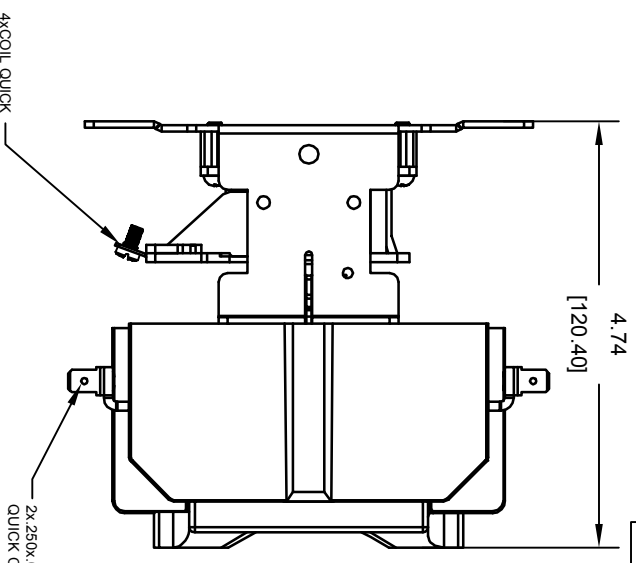
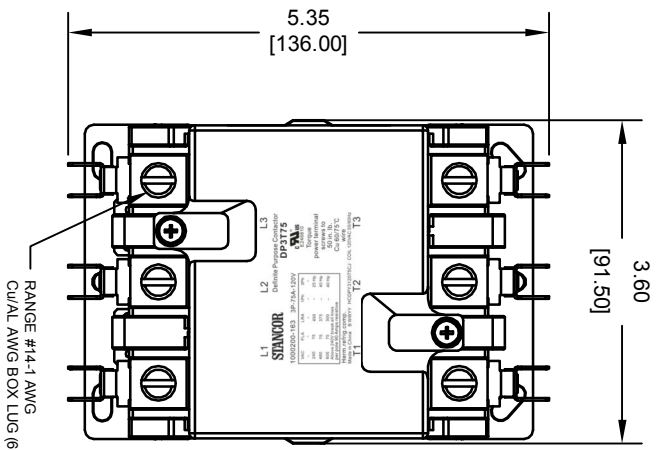


POLES	COIL VAC	FLA	RES	TERMINATION	COVER	INDIVIDUAL BOX
3	120VAC 50/60HZ	75	90	#14-1 COMPRESSION TERMINALS 2 Quick Connect Power Termination	YES	YES

COIL DATA
COIL 120VAC 50/60Hz 16.25 OHM 90 VAC OPERATE 18.2-81.6 VAC DRPOUT 896 VAINRUSH 196 VA SEAL MAX VOLTAGE 132 VAC

NOTES: UNLESS OTHERWISE SPECIFIED



L1	L2	L3
1000200-163	3P-75A-120V	Define Purpose Contactor
STANCOR DP3T75		
VAC	FLA	LRA
240	75	450
480	75	375
600	75	300
Above 240V break all lines		
per pole 50 Amps resistive		
Heimr.refrig.com, HCDDPY312075CJ COIL 120VAC 50/60Hz		
Made in China BWWVY		

Product Label

STANCOR	Define Purpose Contactor
Enclosure:	OPEN
Power Poles:	3
Amp Rating:	FLA 75 RES 90
Coil Voltage:	120VAC 50/60Hz
DP3T75	HCDDPY312075CJ
1000200-163	BWWVY
3P-75A-120V	Made in China

Master Carton Label
DP3T75
1000200-163
3P-75A-120V
HCDDPY312075CJ
QTY.: 12PCS

Individual Box Label

REV	DESCRIPTION	EGN	DMN	APPD	DATE

STANCOR 2425 South 21st Street
Phoenix, AZ 85034
www.stancor.com (602)275-3800

TOLERANCE
INCHES [mm]
X ±0.06 [1.50]
XX ±0.02 [50]
XXX ±0.006 [150]
X.XXX ±0.002 [500]
ANGLES ±1°

DESC.	DRAWN BY	DRAWN DATE	CHECKED BY	CHECKED DATE	PAGE
3P-75A-120V					1 OF 1

PART NO.
DP3T75