



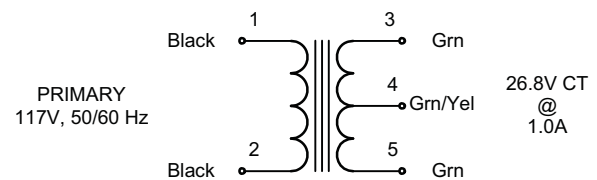
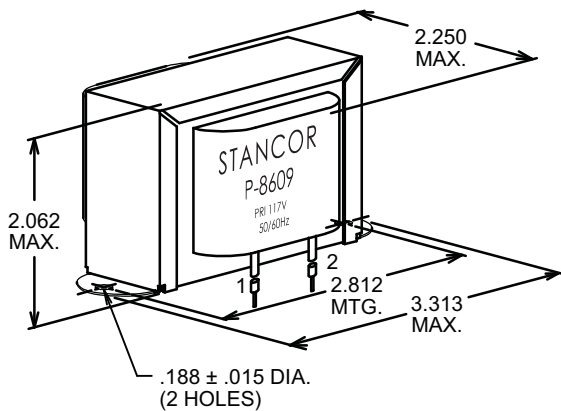
⚠ WARNING	
	<p style="text-align: center;">ELECTROCUTION HAZARD</p> <p>Disconnect electric power to system at main fuse or circuit breaker box before servicing. Failure to do so could result in death or serious injury.</p>
	<p style="text-align: center;">FIRE HAZARD</p> <p>Do not exceed transformer ratings. Higher voltage may damage control and could cause personal injury or property damage.</p>

SPECIFICATIONS:

INPUT:	117 V, 50/60Hz
OUTPUT:	26.8V CT @ 1.0A
INSULATION RATING:	CLASS A (105°C)
TEMPERATURE RISE:	65°C RISE ABOVE 40°C AMBIENT
DIELECTRIC STRENGTH:	1500 VRMS

NOTE:

1. All leads #22 AWG, 8" minimum length.
2. Unit Wt. - 1.3 Lbs.



SCHMATIC DIAGRAM