

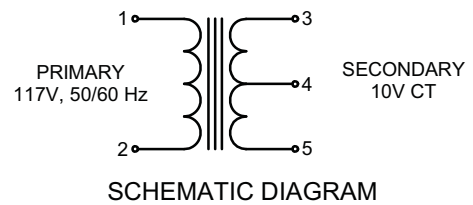
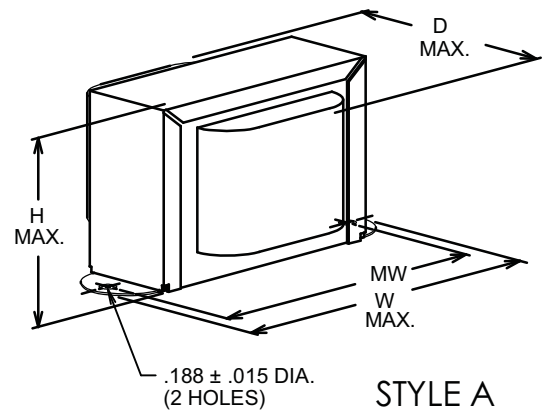
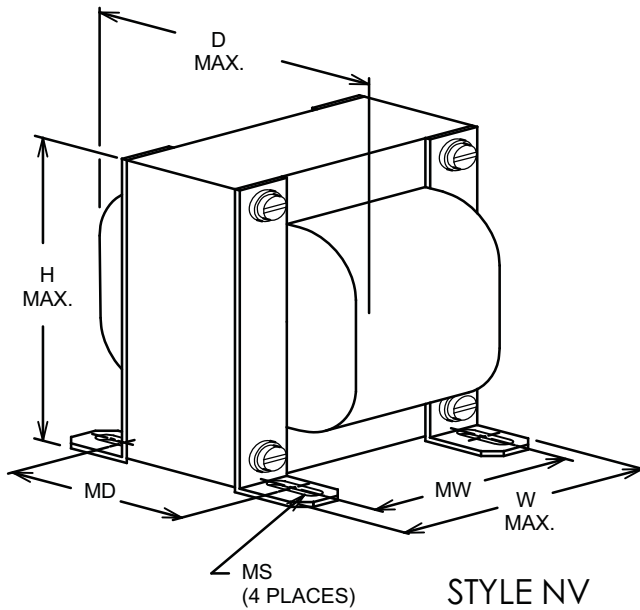


<b>⚠ WARNING</b>	
	<p style="text-align: center;"><b>ELECTROCUTION HAZARD</b></p> <p>Disconnect electric power to system at main fuse or circuit breaker box before servicing. Failure to do so could result in death or serious injury.</p>
	<p style="text-align: center;"><b>FIRE HAZARD</b></p> <p>Do not exceed transformer ratings. Higher voltage may damage control and could cause personal injury or property damage.</p>

### SPECIFICATIONS:

INPUT:	117 V, 50/60Hz
OUTPUT:	10V CT: SEE OUTPUT AMP RATING & VA CAPACITY IN TABLE
INSULATION RATING:	CLASS A (105°C)
TEMPERATURE RISE:	65°C RISE ABOVE 40°C AMBIENT
DIELECTRIC STRENGTH:	1500 VRMS



STANCOR Part No.	Sec. Volts	Sec. Curr.	VA Cap.	Lead wires				Mtg. Style	Dimensions - Inches						Wt. Lbs.
				Pri		Sec			H	W	D	MW	MD	MS ± .031	
				Awg	Lgth	Awg	Lgth								
P-8652	10V CT	1.0A	10	#22	8"	#22	8"	A	2.06	3.31	2.13	2.81	-	-	0.90
P-8653	10V CT	2.0A	20	#22	8"	#22	8"	A	2.06	3.31	2.13	2.81	-	-	1.30
P-8380	10V CT	3.0A	30	#22	6"	#18	6"	A	2.38	3.75	2.38	3.19	-	-	1.60
P-5016	10V CT	4.0A	40	SOLDER TERMINALS				NV	3.50	2.88	2.38	2.31	2.00	.187 X .312	3.30
P-8655	10V CT	6.0A	60	#22	8"	#18	8"	NV	3.19	2.56	2.62	2.00	2.06	.203 X .687	3.10
P-8656	10V CT	8.0A	80	#22	8"	#18	8"	NV	3.56	2.88	3.13	2.25	2.28	.203 X .687	4.10