



Type EO3D1

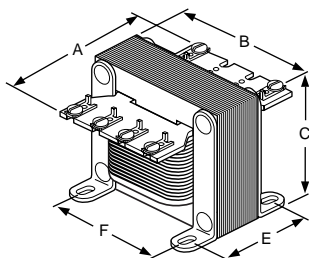


Figure 4



Type EL and KL with Leads

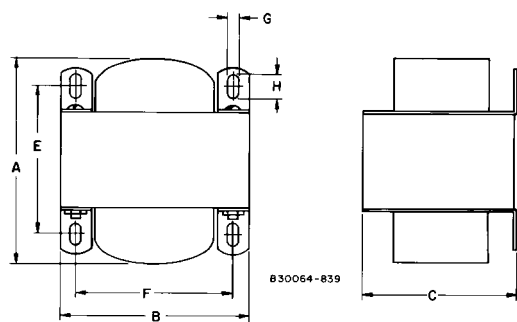


Figure 5

Type E

Type	VA		Dimensions - See Figure 4						Weight (lbs.)
	60 Hz	50 Hz	A	B	C	E	F	Slot	
EO17	25	25	3.31	3.00	2.50	1.75	2.50	.20 x .38	1.9
EO1	50	35	3.31	3.00	2.50	2.00	2.50	.20 x .38	2.2
EO18	75	75	3.78	3.38	2.81	2.19	2.81	.20 x .38	3.5
EO2	100	70	3.78	3.38	2.81	2.38	2.81	.20 x .38	3.8
EO3	150	120	4.44	3.75	3.13	2.88	3.13	.20 x .38	6.0
EO4	300	240	5.56	4.50	3.75	3.25	3.75	.20 x .38	10.5
EO16	350	280	6.19	4.50	3.75	3.81	3.75	.20 x .38	13.2
EO51	500	400	6.56	5.25	4.38	3.81	4.38	.28 x .41	17.2
EO61	750	500	7.94	5.25	4.38	5.13	4.38	.28 x .41	24.5
EO71	1000	900	7.94	6.00	5.00	4.75	5.00	.28 x .63	30.5
EO81	1500	1300	8.59	7.06	6.03	5.88	5.81	.44 x .69	45.0
EO91	2000	1800	9.22	7.06	6.03	6.50	5.81	.44 x .69	56.0
EO10	3000	3000	9.44	9.00	8.38	5.88	7.63	.44 x .69	72.0
EO11	5000	5000	12.06	9.00	8.38	8.50	7.63	.44 x .69	115.0

Type E Stocked Voltages

Type	VA		Stocked Voltage Codes	Price
	60 Hz	50 Hz		
EO17	25	25	D1, D2, D3	\$ 35.80
EO1	50	35	D1, D2, D7	45.00
EO18	75	75	D1, D2	52.00
EO2	100	70	D1, D2	62.00
EO3	150	120	D1, D7	70.00
EO4	300	240	D1, D5, D7	126.00
EO16	350	280	D1, D2	134.00
EO51	500	400	D1, D5, D6	152.00
EO61	750	500	D1, D5	215.00
EO71	1000	900	D1, D5	247.00
EO81	1500	1300	D1	379.00
EO91	2000	1800	D1	459.00
EO10	3000	3000	D1	662.00
EO11	5000	5000	D1	1009.00

Transformers with Leads

Transformers with leads, instead of screw terminals, are available. See the following chart for VA sizes and voltage combinations. Consult your nearest Square D/Schneider Electric sales office for further details. Lead length is 25".

Type	VA	Voltage	Price
EL1D9	50	480-120	\$ 70.00
EL2D9	100	480-120	94.00
EL3D9	150	480-120	107.00
KL300D9	300	480-120	174.00

Class 9070 Type EL, KL

Type	Weight (lbs.)	Dimensions - See Figure 5						
		A	B	C	E	F	G	H
EL1	2.2	2 ⁵ / ₈	3	2 ¹ / ₂	2	2 ¹ / ₂	1 ³ / ₄	3 ⁸ / ₁₆
EL2	3.8	3	3 ³ / ₈	2 ¹ / ₄	2 ³ / ₈	2 ¹ / ₄	1 ³ / ₄	3 ⁸ / ₁₆
EL3	6.0	3 ⁵ / ₈	3 ³ / ₄	3 ¹ / ₈	2 ⁷ / ₈	3 ¹ / ₈	1 ³ / ₄	3 ⁸ / ₁₆
KL300	8.0	3 ¹ / ₂	4 ¹ / ₂	3 ³ / ₄	2 ⁹ / ₁₆	3 ³ / ₄	1 ³ / ₄	3 ⁸ / ₁₆

Separate NEMA Type 1 Enclosures for Transformers

Class 9991 Type	For Use With
UE7	EO1, EO17, T50
LG1	EO2, EO3, EO4, EO15, EO16, EO18, EO19, T75, T100, T150, T200, T250, T300, T350, T500
SDG4	EO51, EO61, T750, T1000, EO71

User must drill mounting holes. Refer to pages 13-105 and 13-106 for dimensions.

How to Order:

To Order Specify:	Catalog Number		
<ul style="list-style-type: none"> • Class Number • Type Number • Voltage Code 	Class	Type	Voltage Code
	9070	EO51	D1



Standard Features

- Sizes 100 through 3000 VA
- Switch – 600 V, 45 A 100,000 A Short Circuit Withstand
 Integrated Rating When Protected by Class CC Fuses.
- Enclosure NEMA Type 1
- Type TF Transformer – 230/460-115 V
 – Top-mounted Fuse Block
 – Accommodates Two Class CC Time Delay Primary Fuses and One Secondary Fuse
 1-1/2" x 13/32"
- Knockouts Conveniently Located
- Ground Terminal
- External Mounting Flanges with Slotted Holes for "Hook and Hang" Mounting
- 90 degrees Access Cover Stop

Special Voltage Codes (use adder)

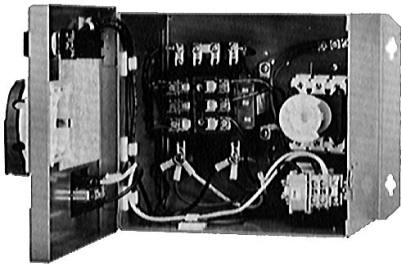
Voltage Code	Primary Voltage	Secondary Voltage
D3	208	120
D4	277	120
D5	550 575 600	110 115 120
D6	380	110
D17	415	110
D24	110 115 120	110 115 120

Please contact your nearest Square D/Schneider Electric sales office for other voltages.

Cross Reference

Old Square D Number	Old Square D Number	New Square D Number
SK5271M SK5271N	SK250G1 SK250G1	MN100G0D1 MN250G0D1
SK5271Q,R SK5271S,J SK5271T,K	SK250G1 SK500G1 SK750G1	SK250G1D1 SK500G1D1 SK750G1D1
SK5271U SK5271V SK5271W SK5271X	SK1000G1 SK1500G2 SK2000G2 SK3000G2	SK1000G1D1 SK1500G2D1 SK2000G2D1 SK3000G2D1

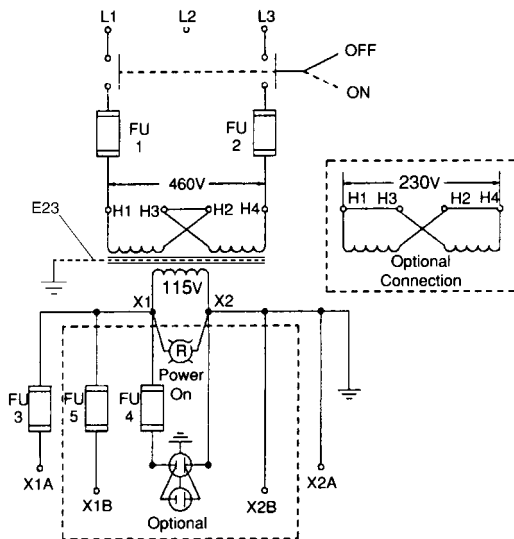
Type SK transformer disconnects—UL Listed: File E137621; CSA certified: File LR37055.



Type TF control power transformer with top mounted fuse block provides wiring ease in minimal space.

Units Stocked with Factory Modifications:

- 9070SK500G1D1F11
- 9070SK500G1D1G13
- 9070SK1000G1D1G13



G13, G14, G15, G16
 F30 - Not Shown on Drawing

Factory Modifications For NEMA Type 1 *

Factory Modification Forms	Description	Price Adder	Available on Enclosure Sizes *	
G13▲	Duplex Receptacle, Door-Mounted	\$100.00	G0, G1, G2, A2	
G14▲	Class A Ground Fault Protected Receptacle, Door-Mounted	222.00	G0, G1, G2, A2	
G15▲	Twist-Lock Receptacle, Door-Mounted	159.00	G1, G2	
G16▲	Two Duplex Receptacles, Door-Mounted	201.00	G2, A2	
E23■	Electrostatically-Shielded Transformer	100.00	G0, G1, G2, A2	
P1	"ON" Red Warning Pilot Light	53.00	G1, G2, A2	
C	55°C Rise Transformer (standard on SK250G1)	106.00	G1, G2, A2	
N3	Convert NEMA Type 12 to NEMA Type 3R	34.00	A2	
F11■	Additional Fusible Secondary Circuit	37.00	G0, G1, G2, A2	
F30	Replace Standard 13/32" x 1-1/2" Class CC Primary Fuse Holders with 13/16" x 5" Primary Fuse Holders	80.00	G2, A2	
Special Voltages (See Voltage Chart above)			211.00	G1, G1, G2, A2

- ▲ Not available with other receptacle options.
- Consult factory for inrush data.
- E23 and F11 not available together in Size 1 enclosure.
- * Mini enclosure limited to only one modification, restricted to E23, F11, G13 or G14.
- * Note: If either Form F30 or G16, or the combination of Forms E23 and F11 are ordered on SK250G1 through SK1000G1, the Size 2 enclosure must be supplied. Therefore, the catalog numbers change to SK250G2 through SK2000G2 and a list price adder of \$106.00 will apply.

How to Order:

To Order Specify:	Catalog Number					
● Class Number	Class	Type	VA Rating	Enclosure(s)	Voltage Code	Form(s)
● Type Number	9070	SK	1000	G1	D1	P1
● VA Rating						
● Enclosure						
● Voltage Code						
● Form(s)						

