

Disconnect Switches

Series L7 -Motor Disconnect Switches up to 100A.....	L2
Series L7 Enclosed Disconnect Switches.....	L14
Technical Information.....	L18
Dimensions.....	L22
Series L11-Fusible and Non-Fusible Disconnects 30...60A.....	L28
Accessories.....	L31
Series L11 Enclosed Disconnect Switches.....	L34
Technical Information.....	L35
Wiring Diagrams.....	L38
Dimensions.....	L39
Series L10 -Fusible and Non-Fusible Disconnects 100...400A.....	L45
Series L10 Enclosed Disconnect Switches.....	L49
Technical Information.....	L50
Application Methods.....	L54
Dimensions.....	L57

L

Disconnect Switches

sprecher+
schuh

Series L7 Motor Disconnect Switches up to 100A

UL508 approved device
“suitable as motor
disconnect”

TIP!



Sprecher + Schuh's L7 line incorporates the latest modular design techniques to provide maximum functionality with the fewest number of parts. These rugged switches are compact, reliable and the ideal choice for all disconnect applications including motor disconnects per UL-508 Part III. A device under this UL listing meets the requirements as a motor controller or “at motor disconnect.”

Just the right switch for your application

L7 Disconnect Switches are available in four frame sizes up to 100 amps. The smaller L7s come in six pole models, as well as three pole change-over switches. A full complement of switch handles and accessories including auxiliary contact blocks, ground and neutral terminals make the L7 line broad enough to tackle virtually any disconnect duty.

Meets the toughest safety standards

A generous 9mm gap between open contacts, combined with high short circuit withstand capabilities ensures a minimum probability of welding. All switches are touch safe to IP20, while most switch handles are rated for strong water jets to IP66. Excellent making and breaking characteristics provide a level of safety that, in many cases, exceeds international standards.



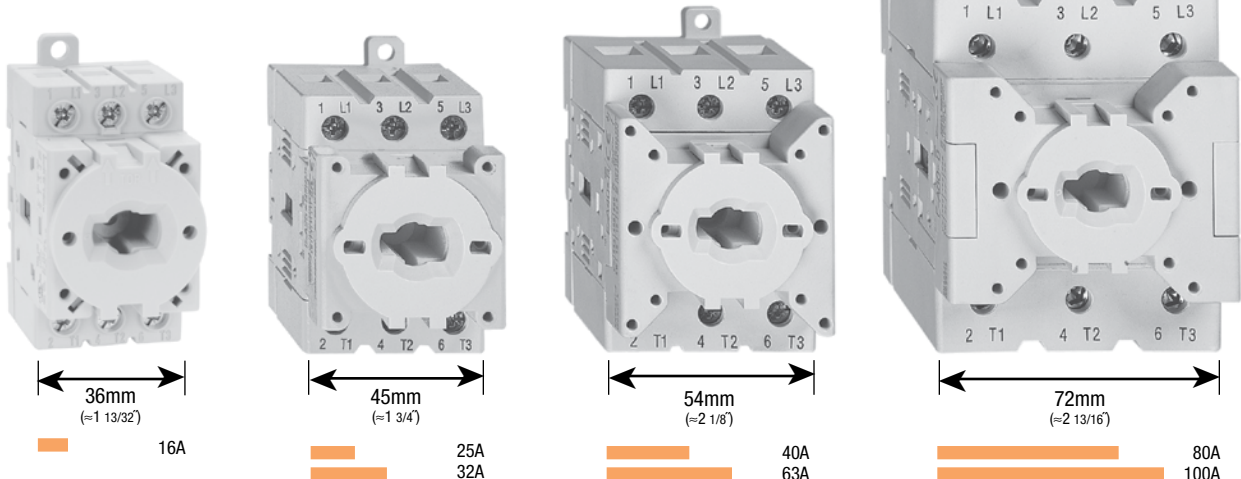
Modular, flexible and easy to assemble

The versatile L7 line is fully modular. All accessories snap-on and off without the use of tools, speeding assembly. The L7's modular design minimizes inventory with features such as universal auxiliary contact blocks... virtually every block fits all frame sizes. Both metal and plastic shaft extension systems are available to accommodate most panel depths.

International standards and approvals

L7 Motor Disconnect Switches are UL Listed (UL508, Part III) and CSA approved (C22.2 No. 14). They also carry the CE Mark and meet IEC 947-1, 947-3, as well as IEC 207 requirements. They are approved in virtually every international market.

To learn the basic differences between control, load and fusible disconnect switches and how to apply them, ask your Sprecher + Schuh representative for publication no: Tech-LMSD



Full range of enclosed disconnects for any job

From “do-it-yourself” to fully assembled, we offer a complete selection of three, four and six pole enclosed disconnects for any industrial application.

The most economical choice is to configure your own design (Figure 1) by selecting one of the non-UL/CSA Ap-

proved ABS or Noryl enclosures from page L17 and completing it with your choice of L7 switch from pages L4 ...L7. These enclosed disconnects are suitable for use in NEMA 4 type applications (not UL Listed).

An assembled version of this enclosed disconnect is available with three or six poles from page L14 (Figure 2). A broad selection of assembled UL

Listed enclosed disconnects is available on pages L14 and L15. Painted metal, stainless steel and polyester-fiberglass enclosures with three, four and six pole disconnect switches are available with all accessories (Figure 3).

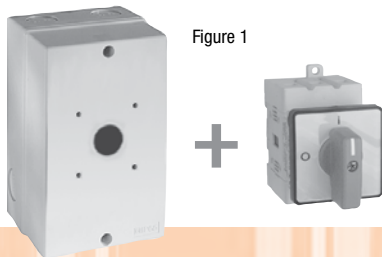


Figure 1



Figure 2



Figure 3

How to order L7 motor disconnect switches

A complete L7 Motor Disconnect Switch is ordered with as little as two catalog numbers. The first number specifies the switch body and the second specifies the switch handle assembly. All L7 switch bodies come

standard with a shaft and mounting screws for the switch handle assembly. Accessories such as shaft extensions and auxiliary contact blocks are ordered separately.

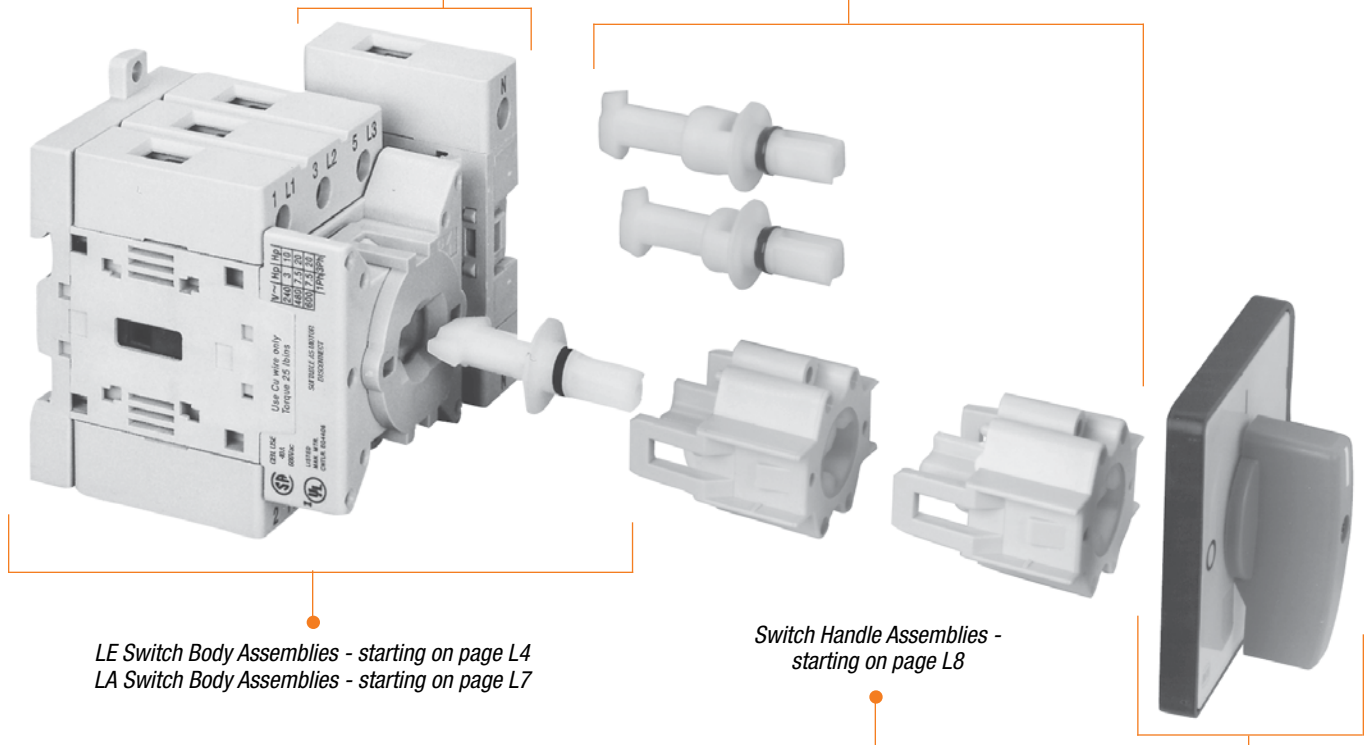
First determine the switch you need from pages L4...L7. Then turn to page L8 and L9 to choose a switch handle assembly.

If necessary, see page L12 and L13 to determine the type and length of shaft extension you require.

Auxiliary contact blocks, fourth poles, ground terminals and neutral terminals are found on page L10.

Side Mount Accessories - page L10
Miscellaneous Accessories - page L11

Modular Shaft Extensions (LA only) - page L12
Metal Shaft Extensions (LA only) - page L13



LE Switch Body Assemblies - starting on page L4
LA Switch Body Assemblies - starting on page L7

Switch Handle Assemblies - starting on page L8

Disconnect
Switches

L7

L3

Front Mounted 3 Pole Switches - 90° Throw ①②

	Plastic		Plastic		Metal		Metal		Metal	
	Catalog Number	Price	Catalog Number	Price	Catalog Number	Price	Catalog Number	Price	Catalog Number	Price
3 Pole >	LE7-16-1753	49	LE7-25-1753	61	LE7-32-1753	77	LE7-40-1753	104	LE7-63-1753	123
Amp Rating (encl.)										
UL/CSA	16		25		32		40		63	
IEC/VDE/BS	16		25		32		40		63	
3∅ Horsepower										
240V	3		5		7.5		10		15	
480V	7.5		10		15		20		25	
600V	10		10		15		20		25	
1∅ Horsepower										
120V	1		1		1		2		3	
240V	2		2		3		3		5	
Dimension - mm (inches)	63 (2-31/64) - Height 36 (1-27/64) - Width 51 (2-1/64) - Depth ②		63 (2-31/64) - Height 45 (1-49/64) - Width 60 (2-23/64) - Depth ②		72 (2-55/64) - Height 54 (2-1/8) - Width 74 (2-29/32) - Depth ②					

	Metal		Metal	
	Catalog Num.	Price	Catalog Num.	Price
3 Pole >	LE7-80-1753	166	LE7-100-1753	211
Amp Rating (encl.)				
UL/CSA	80		100	
IEC/VDE/BS	80		100	
3∅ Horsepower				
240V	25		30	
480V	40		50	
600V	50		50	
1∅ Horsepower				
120V	5		7.5	
240V	10		15	
Dimension - mm (inches)	90 (3-35/64) - Height 72 (2-27/32) - Width 90 (3-35/64) - Depth ②			

① Fourth pole side-mounted module available. See page L10.
② Dimension without shaft.

③ Switch Handle position 

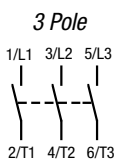
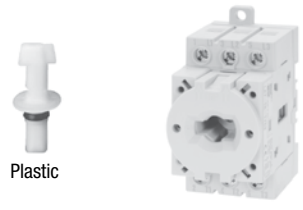
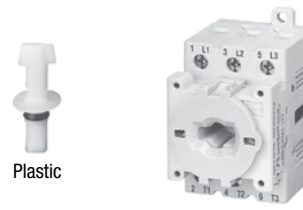
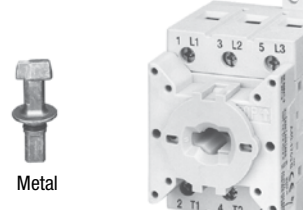
Front Mounted 3 Pole Changeover Switches and 6 Pole Switches - 90° Throw ①

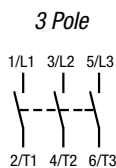
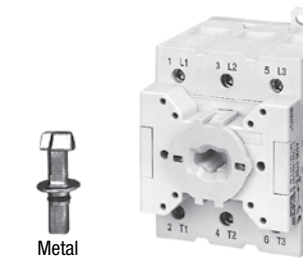
Changeover (Center OFF)	Metal		Metal		Metal		Metal		Metal	
	Catalog Number	Price	Catalog Number	Price	Catalog Number	Price	Catalog Number	Price	Catalog Number	Price
	LE7-16-3753	89	LE7-25-3753	149	LE7-32-3753	182	LE7-40-3753	233	LE7-63-3753	273
	LE7-16-1756	87	LE7-25-1756	149	LE7-32-1756	182	LE7-40-1756	233	LE7-63-1756	273
Amp Rating (encl.)										
UL/CSA	16		25		32		40		63	
IEC/VDE/BS	16		25		32		40		63	
3∅ Horsepower										
240V	3		10		7.5		10		15	
480V	7.5		20		15		20		25	
600V	10		20		15		20		25	
1∅ Horsepower										
120V	1		1		1		2		3	
240V	2		2		1		3		5	
Dimension - mm (inches)	63 (2-31/64) - Height 90 (3-35/64) - Width 76 (3) - Depth ②		63 (2-31/64) - Height 90 (3-35/64) - Width 85 (3-11/32) - Depth ②		72 (2-55/64) - Height 108 (4-1/4) - Width 99 (3-57/64) - Depth ②					

Changeover (Center OFF)	Metal		Metal	
	Catalog Number	Price	Catalog Number	Price
	LE7-80-3753	370	LE7-100-3753	461
	LE7-80-1756	370	LE7-100-1756	461
Amp Rating (encl.)				
UL/CSA	80		100	
IEC/VDE/BS	80		100	
3∅ Horsepower				
240V	25		30	
480V	40		50	
600V	50		50	
1∅ Horsepower				
120V	5		7.5	
240V	10		15	
Dimension - mm (inches)	90 (3-35/64) - Height 144 (5-43/64) - Width 115 (4-17/32) - Depth ②			

① 3 Pole Changeover Switch has center OFF - 1 2
② Dimension without shaft.

Base Mounted 3 Pole Switches - 90° Throw ①③


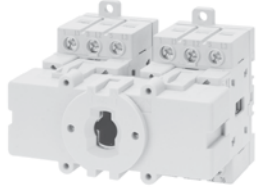
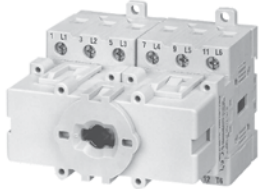
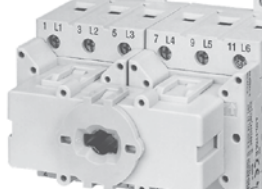
 3 Pole 1/L1 3/L2 5/L3 2/T1 4/T2 6/T3	 Plastic		 Plastic		 Metal	
	Catalog Number	Price	Catalog Num.	Price	Catalog Num.	Price
3 Pole >	LA7-16-1753	66	LA7-25-1753	80	LA7-32-1753	98
Amp Rating (encl.)	16		25		32	
UL/CSA	16		25		32	
IEC/VDE/BS	16		25		32	
3∅ Horsepower						
240V	3		5		7.5	
480V	7.5		10		15	
600V	10		10		15	
1∅ Horsepower						
120V	1		1		1	
240V	2		2		3	
Dimension - mm (inches)	63 (2-31/64) - Height 36 (1-27/64) - Width 51 (2-1/64) - Depth ②		63 (2-31/64) - Height 45 (1-49/64) - Width 60 (2-23/64) - Depth ②		72 (2-55/64) - Height 54 (2-1/8) - Width 74 (2-29/32) - Depth ②	


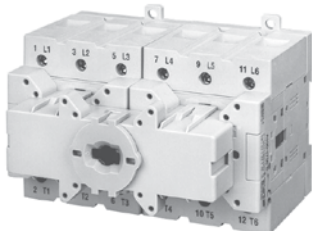
 3 Pole 1/L1 3/L2 5/L3 2/T1 4/T2 6/T3	 Metal	
	Catalog Num.	Price
3 Pole >	LA7-80-1753	184
Amp Rating (encl.)	80	100
UL/CSA	80	100
IEC/VDE/BS	80	100
3∅ Horsepower		
240V	25	30
480V	40	50
600V	50	50
1∅ Horsepower		
120V	5	7.5
240V	10	15
Dimension - mm (inches)	90 (3-35/64) - Height 72 (2-27/32) - Width 90 (3-35/64) - Depth ②	

① Fourth pole side-mounted module available. See page L10.
② Dimension without shaft.

③ Switch Handle position 

Base Mounted 3 Pole Changeover and 6 Pole Switches - 90° Throw ①

Changeover (Center OFF)	6 Pole		6 Pole		6 Pole		6 Pole		6 Pole	
	Catalog Number	Price	Catalog Number	Price	Catalog Number	Price	Catalog Number	Price	Catalog Number	Price
 Metal	 Metal		 Metal		 Metal					
Changeover >	LA7-16-3753	122	LA7-25-3753	188	LA7-32-3753	223	LA7-40-3753	278	LA7-63-3753	339
6 Pole >	LA7-16-1756	115	LA7-25-1756	188	LA7-32-1756	223	LA7-40-1756	278	LA7-63-1756	339
Amp Rating (encl.)										
UL/CSA	16		25		32		40		63	
IEC/VDE/BS	16		25		32		40		63	
30 Horsepower										
240V	3		5		7.5		10		15	
480V	7.5		10		15		20		25	
600V	10		10		15		20		25	
10 Horsepower										
120V	1		1		1		2		3	
240V	2		2		3		3		5	
Dimension - mm (inches)	63 (2-31/64) - Height 90 (3-35/64) - Width 85 (3-11/32) - Depth ②		63 (2-31/64) - Height 90 (3-35/64) - Width 89 (3-1/2) - Depth ②		63 (2-31/64) - Height 90 (3-35/64) - Width 89 (3-1/2) - Depth ②		72 (2-55/64) - Height 108 (4-1/4) - Width 103 (4-1/16) - Depth ②			

Changeover (Center OFF)	6 Pole		6 Pole	
	Catalog Num.	Price	Catalog Num.	Price
 Metal	 Metal			
Changeover >	LA7-80-3753	406	LA7-100-3753	501
6 Pole >	LA7-80-1756	406	LA7-100-1756	501
Amp Rating (encl.)				
UL/CSA	80		100	
IEC/VDE/BS	80		100	
30 Horsepower				
240V	25		30	
480V	40		50	
600V	50		50	
10 Horsepower				
120V	5		7.5	
240V	10		15	
Dimension - mm (inches)	90 (3-35/64) - Height 144 (5-43/64) - Width 119 (4-17/32) - Depth ②			

① 3 Pole Changeover Switch has center OFF - 1 2
 ② Dimension without shaft.

Switch Handle Assemblies (LA and LE Switches)

Switch Handle Assembly ❶	Color	Mounting Method	Protection Rating	For use with...	Frame Size	Legend ❷	Catalog Number	Price
 <p>Type A</p>	Silver Legend ❷ Black Knob	Screw Fixing ❶	IP66	LA/LE7-16...63A	48 X 48	0-I OFF-ON 1-0-2 ❸	LFS2-A-4-175 LFS2-A-4-175I LFS2-A-4-375	8.50
			IP66	LA/LE7-25...100A ❹	64 X 64	0-I OFF-ON 1-0-2 ❸	LFS2-A-6-175 LFS2-A-6-175I LFS2-A-6-375	10.75
			IP66	LA/LE7-40...100A	88 X 88	0-I OFF-ON 1-0-2 ❸	LFS2-A-8-175 LFS2-A-8-175I LFS2-A-8-375	47.00
		Central Nut	IP66	LE7-16...63A	48 X 48	0-I OFF-ON	LFC2-A-4-175 LFC2-A-4-175I	11.75
 <p>Type E</p>	Silver Legend ❷ Black Knob ❸	Screw Fixing ❶	IP66	LA/LE7-16...63A	48 X 48	0-I OFF-ON 1-0-2 ❸	LFS2-E-4-175 LFS2-E-4-175I LFS2-E-4-375	12.50
			IP66	LA/LE7-25...100A ❹	64 X 64	0-I OFF-ON 1-0-2 ❸	LFS2-E-6-175 LFS2-E-6-175I LFS2-E-6-375	15.00
		Central Nut	IP66	LE7-16...63A	48 X 48	0-I OFF-ON	LFC2-E-4-175 LFC2-E-4-175I	18.00
 <p>Type I</p>	Yellow Legend ❷ Red Knob	Screw Fixing ❶	IP66	LA/LE7-16...63A	48 X 48	0-I OFF-ON 1-0-2 ❸	LFS2-I-4-175 LFS2-I-4-175I LFS2-I-4-375	8.50
			IP66	LA/LE7-25...100A ❹	64 X 64	0-I OFF-ON 1-0-2 ❸	LFS2-I-6-175 LFS2-I-6-175I LFS2-I-6-375	10.75
			IP66	LA/LE7-40...100A	88 X 88	0-I OFF-ON 1-0-2 ❸	LFS2-I-8-175 LFS2-I-8-175I LFS2-I-8-375	47.00
		Central Nut	IP66	LE7-16...63A	48 X 48	0-I OFF-ON	LFC2-I-4-175 LFC2-I-4-175I	11.75
 <p>Type L</p>	Yellow Legend ❷ Red Knob ❸	Screw Fixing ❶	IP66	LA/LE7-16...63A	48 X 48	0-I OFF-ON 1-0-2 ❸	LFS2-L-4-175 LFS2-L-4-175I LFS2-L-4-375	12.50
			IP66	LA/LE7-25...100A ❹	64 X 64	0-I OFF-ON	LFS2-L-6-175 LFS2-L-6-175I	15.00
		Central Nut	IP66	LE7-16...63A	48 X 48	0-I OFF-ON	LFC2-L-4-175 LFC2-L-4-175I	18.00
 <p>Type S</p>	Silver Legend ❷ Black Knob	Screw Fixing ❶	IP66	LA/LE7-25...63A	48 X 62	0-I OFF-ON	LFS2-S-4-175 LFS2-S-4-175I	11.50
			IP66	LA/LE7-25...100A	64 X 78	0-I OFF-ON 1-0-2 ❸	LFS2-S-6-175 LFS2-S-6-175I LFS2-S-6-375	14.00

❶ Mounting screws included with Switch Body Assembly.





❷ For blank legend plate, substitute "000" for last three digits in catalog number.
Example: LFS2-A-4-000.

❸ Lockable in OFF position, ON position or both.

❹ Only for use with 3 Pole Changeover switch.

❺ Only for use with LA/LE7-25...63 three pole Changeover Switches. Use 88 x 88 Switch Handle for 80 and 100A Changeover Switch.

Switch Handle Assemblies (LA and LE Switches)

Switch Handle Assembly ❶	Color	Mounting Method	Protection Rating	For use with...	Frame Size	Legend ❷	Catalog Number	Price
 <p>Type G</p>	Gray Frame Black Handle ❷	Screw Fixing ❶	IP66	LA/LE7-16	54 x 54	0 — OFF — ON	LFS7-G-4-175	18
			IP66	LA7-16...100A LE7-25...100A	67 x 67	0 — OFF — ON	LFS2-G-6-175	21
			IP66 Type 3/3R/12	LA/LE7-40...100A	90 x 90	0 — OFF — ON	LFS2-G-8-175	67
		Central Nut	IP66	LE7-16...63A	67 x 67	0 — OFF — ON	LFC2-G-6-175	32
 <p>Type N</p>	Yellow Frame Red Handle ❷	Screw Fixing ❶	IP66	LA/LE7-16	54 x 54	0 — OFF — ON	LFS7-N-4-175	18
			IP66	LA7-16...100A LE7-25...100A	67 x 67	0 — OFF — ON	LFS2-N-6-175	21
			IP66 Type 3/3R/12	LA/LE7-40...100A	90 x 90	0 — OFF — ON	LFS2-N-8-175	67
		Central Nut	IP66	LE7-16...63A	67x67	0 — OFF — ON	LFC2-N-6-175	32
 <p>Type R</p>	Yellow Frame Red Handle - With Defeater	Screw Fixing ❶	Type 4X IP66	LA7-16...100A	76 x 76	OFF - ON	L10-HS4E ❸	56
 <p>Type R</p>	Black Frame Black Handle With Defeater	Screw Fixing ❶	Type 4X IP66	LA7-16...100A	76 x 76	OFF - ON	L10-HS4 ❸	56

❶ Mounting screws included with Switch Body Assembly.

❷ Lockable in OFF position with up to 3 padlocks.

❸ For LA base mount switches only. Requires R-type Switch Handle Shaft Extension. See page L13.

Auxiliary Contact Blocks ②

Aux. Contact Block	Contact Configuration	For use with...	Catalog Number	Price
One NO (Early Break) ①				
		LE7-16 LE7-25...100	LE7-16-P-D10 LE7-P-D10	37 31
		LA7-16 LA7-25...100	LA7-16-P-D10 LA7-P-D10	37 31
One NO and One NC (Instantaneous)				
		LE7-16...100	LE7-P-11	45
		LA7-16...100	LA7-P-11	45
One NOEM and One NCLB (Make Before Break)				
		LE7-16...100	LE7-PL-11	45
		LA7-16...100	LA7-PL-11	45
Two NO and Two NC (Instantaneous)				
		LE7-16...100	LE7-P-22	90
		LA7-16...100	LA7-P-22	90

Fourth Pole ②

Fourth Pole	Contact Configuration	For use with...	Catalog Number	Price
Early Make-Late Break				
		LE7-16	LE7-16-NP	30
		LE7-25	LE7-25-NP	31
		LE7-32	LE7-32-NP	38
		LE7-40	LE7-40-NP	46
		LE7-63	LE7-63-NP	54
		LE7-80	LE7-80-NP	58
		LE7-100	LE7-100-NP	78
		LA7-16	LA7-16-NP	30
		LA7-25	LA7-25-NP	31
		LA7-32	LA7-32-NP	38
		LA7-40	LA7-40-NP	46
		LA7-63	LA7-63-NP	54
		LA7-80	LA7-80-NP	58
		LA7-100	LA7-100-NP	78

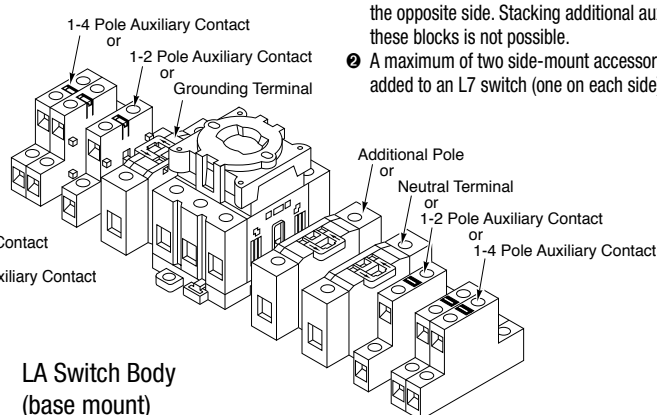
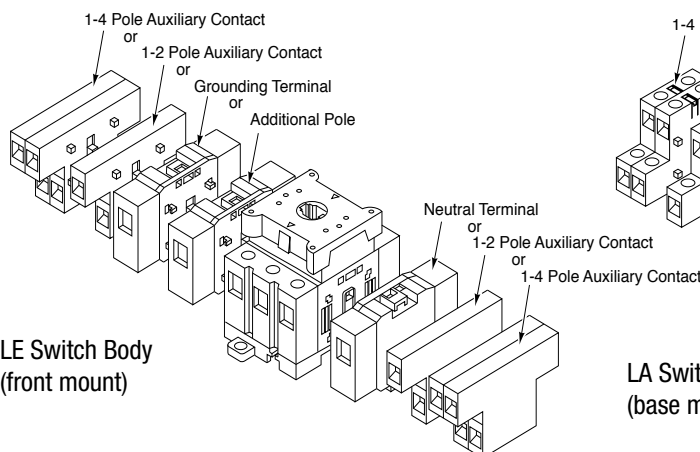
Ground & Neutral Terminals ②

Terminal	Contact Configuration	For use with...	Catalog Number	Price		
Ground Terminal						
		LA7-16	LA7-16-PE	18		
		LA7-25 & 32	LA7-32-PE	20		
		LA7-40 & 63	LA7-63-PE	27		
		LA7-80 & 100	LA7-100-PE	34		
		LE7-16	LE7-16-PE	18		
		LE7-25 & 32	LE7-32-PE	20		
		LE7-40 & 63	LE7-63-PE	27		
		LE7-80 & 100	LE7-100-PE	34		
		Neutral Terminal				
				LA7-16	LA7-16-TN	18
LA7-25 & 32	LA7-32-TN			20		
LA7-40 & 63	LA7-63-TN			27		
LA7-80 & 100	LA7-100-TN			34		
LE7-16	LE7-16-TN			18		
LE7-20 & 32	LE7-32-TN			20		
LE7-40 & 63	LE7-63-TN			27		
LE7-80 & 100	LE7-100-TN			34		







Accessory Mounting Guide

Various accessories can be mounted simultaneously on both the LA7 (base mount) and LE7 (front mount) switch bodies. The drawings below illustrate which combinations are possible.

- ① All N.O. Early Break Contact Blocks mount on the left and/or right side by themselves, or with -NP, -PE, -TN aux on the opposite side. Stacking additional aux contacts on these blocks is not possible.
- ② A maximum of two side-mount accessories may be added to an L7 switch (one on each side)



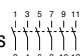
L7 Switch Accessories

Accessory	Description	Catalog Number	Price
 <p>(Reducer not included)</p>	<p>End Shaft - for LE switch ② (one 44mm shaft supplied standard with all switches)</p> <p>Plastic Metal</p>	<p>L2-G3380 L7-G3688 ①</p>	<p>5.00 4.25</p>
	<p>Terminal cover - 3 pole</p> <p>LE/LA7-16 LE/LA7-25/32 LE/LA7-40/63 LE/LA7-80/100</p>	<p>L7-16-C3 L7-25-C3 L7-40-C3 L7-80-C3</p>	<p>9.00 7.35 9.50 12.00</p>
	<p>Terminal cover - 4 pole</p> <p>LE/LA7-25/32 LE/LA7-40/63 LE/LA7-80/100</p>	<p>L7-25-C4 L7-40-C4 L7-80-C4</p>	<p>9.00 12.25 15.50</p>
	<p>6 Pole Mechanical Coupling - joins two L7 switches (front or base mount) to form a 6 pole switch (includes 44 mm metal End Shafts for both LE and LA switch)</p> <p>LE7-16 LE/LA7-25 & 32 LE/LA7-40 & 63 LE/LA7-80 & 100</p>	<p>L7-G3821 ② L7-G3660 ② L7-G3661 ② L7-G3662 ②</p>	<p>27.50 27.50 27.50 39.00</p>
	<p>Snap-on Nameplate & Holder Snaps on to switch handle frames of the following sizes: For 48x48, 64x64 & 67x67</p>	<p>L2-G3667</p>	<p>7.00</p>
	<p>Nameplate for Snap-on Holder fits cat. # L2-G3667 & L2-G3515</p> <p>For L2-G3667 "Main Switch" "Emergency Off" For L2-G3515 "Main Switch" "Emergency Off"</p>	<p>L2-G3667A L2-G3667H L2-G3515A L2-G3515H</p>	<p>4.50 4.50 15.00 21.00</p>

① LE7-40...100 3-pole switches and LE7-16...100 6-pole/Changeover switches come standard with a 44mm **metal** End Shaft. LE7-16...32 3-pole switches come standard with a 44mm **plastic** End Shaft.

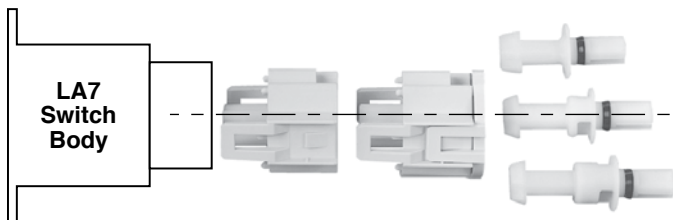
② When using mechanical coupler to join two LE7 or LA7 three pole switches, terminal markings will be:







To obtain terminal markings  order six pole switch from pages L5 and L7. Coupling for changeover switch is not available.

Modular shaft extension system

Shaft Extension Modules are ideal for lengthening the shaft of an LA7 switch up to 144mm (≈5.5"). These rugged polycarbonate modules are 24mm (≈15/16") long and snap on "piggyback" to one another without the use of tools. Strong center shafts interlock as each module is snapped together. The standard 44mm End Shaft supplied with every LA7 switch connects the last Extension Module with the Switch Handle Assembly. End Shafts of 52 and 57mm are also available, making this modular system versatile, fast and economical. Shaft Extension Modules are supplied two per package.

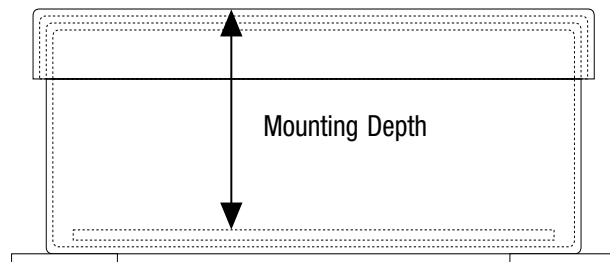


Modular Shaft Extension Components ③

Component	Description	Catalog Number	Price
	44mm End Shaft - one 44mm shaft supplied standard with all switches		
	Plastic shaft	LA2-G2830	3.25
	Metal shaft	L7-G3687 ②	4.25
	52mm End Shaft -		
	Plastic shaft	LA2-G3194	4.00
	Metal shaft	L7-G3707 ②	4.50
	57mm End Shaft -		
	Plastic shaft	LA2-G3195	4.00
	Extension Modules - Two per package, priced per package	LA2-G2853	9.00

Determining modular shaft extension components

- Determine Mounting Depth. This is the distance from the inside mounting surface of the enclosure to the **outside surface** of the enclosure cover. See diagram below for details. ①



- If necessary convert Mounting Depth inches to millimeters (inches x 25.4 = millimeters).

NOTE: Table is based on a standard 3 or 4 pole switch body. For 6 pole switches, *deduct 25mm* from the overall Mounting Depth before referring to table.

- In the Modular Shaft Extension Table to the right, find the Mounting Depth in the column under the appropriate LA7 Switch Body.
- Order the End Shaft and number of Extension Modules required for that Mounting Depth.

Modular Shaft Extension Table

Number of Extension Modules	Required End Shaft	Mounting Depth (mm) ①			
		Switch Body LA7-16	Switch Body LA7-25/32	Switch Body LA7-40/63	Switch Body LA7-80/100
0	44mm ②	57.5-63.5	66.5-72.5	79.5-84.5	96-102
0	52mm	65-73	74-82	81.5-94	98-111.5
0	57mm	70-78	79-87	86.5-99	103-116.5
1	44mm ②	81.5-87.5	90.5-96.5	103.5-109.5	120-126
1	52mm	83.5-97	92.5-106	105.5-119	122-135.5
1	57mm	88.5-102	97.5-111	110.5-124	127-140.5
2	44mm ②	105.5-111.5	114.5-120.5	127.5-133.5	144-150
2	52mm	107.5-121	116.5-130	129.5-143	146-159.5
2	57mm	112.5-126	121.5-135	134.5-148	151-164.5
3	44mm ②	129.5-135.5	138.5-144.5	151.5-157.5	168-174
3	52mm	131.5-145	140.5-154	153.5-167	170-183.5
3	57mm	136.5-150	145.5-159	158.5-172	175-188.5
4	44mm ②	153.5-159.5	162.5-168.5	175.5-181.5	192-198
4	52mm	155.5-169	164.5-178	177.5-191	194-207.5
4	57mm	160.5-174	169.5-183	182.5-196	199-212.5
5	44mm ②	177.5-183.5	186.5-192.5	199.5-205.5	216-222
5	52mm	179.5-193	188.5-202	201.5-215	218-231.5
5	57mm	184.5-198	193.5-207	206.5-220	223-236.5
6	44mm ②	201.5-207.5	210.5-216.5	223.5-229.5	240-246
6	52mm	203.5-217	212.5-226	225.5-239	242-255.5
6	57mm	208.5-222	217.5-231	230.5-244	247-260.5

① For DIN rail mounted devices, remember to deduct the offset distance provided by the rail. For example, deduct 2.5mm from the Mounting Depth for switch bodies mounted on DIN 46277 rail.

② LA7-40...100 3-pole switches and LA7-16...100 6-pole/Changeover switches come standard with a 44mm **metal** End Shaft. LA7-16...32 3-pole switches come standard with a 44mm **plastic** End Shaft.

③ Order additional End Shafts for LE (front mount switches) from page L11.

Metal shaft extension system

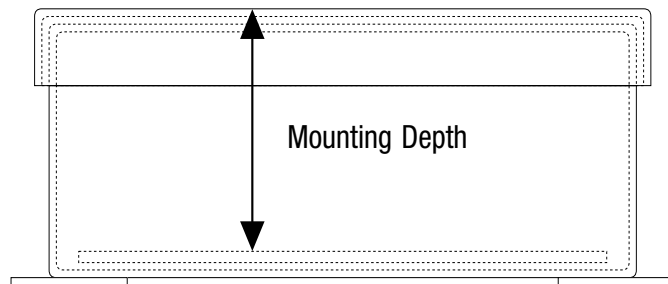
Adjustable metal shaft extensions snap on securely to LA7 switches via the same quick-connect design as shaft extension modules. Metal shafts are equipped with a door interlock and a padlock hasp for locking out the switch after the enclosure is opened (for outside lockout, select a Switch Handle Assembly with lockout capability).



Two standard lengths of these unique adjustable shafts are available. Metal shaft extensions mate with any of the standard Switch Handle Assemblies on pages L8 and L9. All necessary hardware is supplied with the shaft.

Determining metal shaft extension

- Determine Mounting Depth. This is the distance from the inside mounting surface of the enclosure to the **outside surface** of the enclosure cover. See diagram below for details. ❶






- If necessary convert Mounting Depth inches to millimeters (inches x 25.4 = millimeters).

NOTE: Tables are based on a standard 3 or 4 pole switch body. For 6 pole switches, deduct 25mm from overall Mounting Depth before referring to table.

- In the Metal Shaft Extension Table to the right, find the Mounting Depth in the column under the appropriate LA7 Switch Body.
- Order the Metal Shaft Extension required for that Mounting Depth.

- ❶ For DIN rail mounted devices, remember to deduct the offset distance provided by the rail. For example, deduct 2.5mm from the Mounting Depth for switch bodies mounted on DIN 46277 rail.
- ❷ This dimension can be reduced another 55mm by cutting the plastic sleeve and further cutting the metal shaft.
- ❸ If using Metal Shaft Extension System with 3 Pole Changeover Switches, purchase insert to modify for three position switching.

Metal Shaft Extension Components (LA7-16...100)

Component	Catalog Number	Price
 Length: 110...235mm For switching positions: 0	LA2-G3393 ❸	37
 Length: 230...350mm For switching positions: 0	LA2-G3394 ❸	47
 Insert - For modifying metal shaft for use with 3 Pole Changeover Switches (not lockable).	LA2-G3399	4

Metal Shaft Extension Table

Metal Shaft Extension	Mounting Depth (mm) ❶			
	Switch Body LA7-16	Switch Body LA7-25/32	Switch Body LA7-40/63	Switch Body LA7-80/100
LA2-G3393	168❸ - 299	173❸ - 304	186❸ - 317	203❸ - 334
LA2-G3394	288 - 414	293 - 419	306 - 432	323 - 449

R-type Switch Handle Shaft Extensions

Only select shaft extension from this table if ordering the R-type (UL Type 4X) Switch Handle (page L9). Select shaft after figuring overall Mounting Depth.

R-type Switch Handle Shaft Extension (typical)						
Mounting Depth (mm) ❶				Catalog Number	Price	
LA7-16	LA7-25/32	LA7-40/63	LA7-80/100			
84.5-108.5	93.5-117.5	117.5-131.5	123.5-147.5	LA2-G-194R1-67	32.25	
89.5-113.5	98.5-122.5	112.5-136.5	128.5-152.5	LA2-G-194R1-72		
96.5-120.5	105.5-129.5	119.5-143.5	135.5-159.5	LA2-G-194R1-79		
104.5-128.5	113.5-137.5	127.5-151.5	143.5-167.5	LA2-G-194R1-87		
107.5-131.5	116.5-140.5	130.5-154.5	146.5-170.5	LA2-G-194R1-90		
114.5-138.5	123.5-147.5	137.5-161.5	153.5-177.5	LA2-G-194R1-97		
121.5-145.5	130.5-154.5	144.5-168.5	160.5-184.5	LA2-G-194R1-104		
132.5-156.5	141.5-165.5	155.5 - 179.5	171.5-195.5	LA2-G-194R1-115		
Adjustable R-type Switch Handle Shaft Extension						
130-385	144-399	157-412	174-429	L7-G3675		33.50

L7 Enclosed Motor Disconnects (UL and CSA Approved Enclosures) ①⑤

Amp/Horsepower Rating						Painted Steel - UL Type 1/3/12/4 Operator - IP66, UL Type 3, 12			Nonmetallic - UL Type 1/3/12/4 Operator - IP66, UL Type 3, 12			Nonmetallic - UL Type 4/4X Operator - UL Type 4X			Stainless Steel - UL Type 4/4X Operator - UL Type 4X		
						Image			Image			Image			Image		
UL/CSA Amps	Horsepower					Catalog Number	Price	Dimension	Catalog Number	Price	Dimension	Catalog Number	Price	Dimension	Catalog Number	Price	Dimension
	1Ø		3Ø														
	120V	240V	240V	480V	600V												
3 Pole - ON/OFF																	
16	1	2	3	7.5	10	LA7-16-1753-WN	241	A	LA7-16-1753-CN	275	C	LA7-16-1753-CR	335	C	LA7-16-1753-SR	931	A
25	1	2	5	10	10	LA7-25-1753-WN	258	A	LA7-25-1753-CN	292	C	LA7-25-1753-CR	353	C	LA7-25-1753-SR	950	A
32	1	3	7.5	15	15	LA7-32-1753-WN	275	A	LA7-32-1753-CN	310	C	LA7-32-1753-CR	370	C	LA7-32-1753-SR	970	A
40	2	3	10	20	20	LA7-40-1753-WN	301	A	LA7-40-1753-CN	338	C	LA7-40-1753-CR	396	C	LA7-40-1753-SR	995	A
63	3	5	15	25	25	LA7-63-1753-WN	333	A	LA7-63-1753-CN	368	C	LA7-63-1753-CR	428	C	LA7-63-1753-SR	1028	A
80	5	10	25	40	50	LA7-80-1753-WN	376	B	LA7-80-1753-CN	533	D	LA7-80-1753-CR	602	D	LA7-80-1753-SR	1481	B
100	7.5	15	30	50	50	LA7-100-1753-WN	424	B	LA7-100-1753-CN	581	D	LA7-100-1753-CR	649	D	LA7-100-1753-SR	1529	B
4 Pole - ON/OFF ④																	
16	1	2	3	7.5	10	LA7-16-1754-WN	265	A	LA7-16-1754-CN	301	C	LA7-16-1754-CR	359	C	LA7-16-1754-SR	959	A
25	1	2	5	10	10	LA7-25-1754-WN	288	A	LA7-25-1754-CN	325	C	LA7-25-1754-CR	383	C	LA7-25-1754-SR	983	A
32	1	3	7.5	15	15	LA7-32-1754-WN	312	A	LA7-32-1754-CN	348	C	LA7-32-1754-CR	406	C	LA7-32-1754-SR	1006	A
40	2	3	10	20	20	LA7-40-1754-WN	357	A	LA7-40-1754-CN	383	C	LA7-40-1754-CR	443	C	LA7-40-1754-SR	1041	A
63	3	5	15	25	25	LA7-63-1754-WN	387	A	LA7-63-1754-CN	421	C	LA7-63-1754-CR	482	C	LA7-63-1754-SR	1081	A
80	5	10	25	40	50	LA7-80-1754-WN	434	B	LA7-80-1754-CN	591	D	LA7-80-1754-CR	686	D	LA7-80-1754-SR	1539	B
100	7.5	15	30	50	50	LA7-100-1754-WN	501	B	LA7-100-1754-CN	658	D	LA7-100-1754-CR	727	D	LA7-100-1754-SR	1606	B
6 Pole - ON/OFF																	
16	1	2	3	7.5	10	LA7-16-1756-WN	299	B	LA7-16-1756-CN	467	D	LA7-16-1756-CR	479	D	LA7-16-1756-SR	1359	B
25	1	2	5	10	10	LA7-25-1756-WN	338	B	LA7-25-1756-CN	501	D	LA7-25-1756-CR	559	D	LA7-25-1756-SR	1438	B
32	1	3	7.5	15	15	LA7-32-1756-WN	376	B	LA7-32-1756-CN	535	D	LA7-32-1756-CR	639	D	LA7-32-1756-SR	1518	B
40	2	3	10	20	20	LA7-40-1756-WN	439	B	LA7-40-1756-CN	596	D	LA7-40-1756-CR	654	D	LA7-40-1756-SR	1533	B
63	3	5	15	25	25	LA7-63-1756-WN	492	B	LA7-63-1756-CN	649	D	LA7-63-1756-CR	707	D	LA7-63-1756-SR	1587	B

Modifications (Factory Assembled) ②

Description	Catalog Number Suffix	Adder
Ground Terminal		
For LA7-16	-PE	17.95
For LA7-25 & 32	-PE	19.80
For LA7-40 & 63	-PE	26.70
For LA7-80 & 100	-PE	34.40
Neutral Terminal		
For LA7-16	-TN ⑥	17.95
For LA7-25 & 32	-TN ⑥	19.80
For LA7-40 & 63	-TN ⑥	26.70
For LA7-80 & 100	-TN ⑥	34.40

NOTE: All IP66, UL Type 3/12 Enclosed Disconnects come standard with a round, yellow and red, screw fixing handle (Type N) with ON/OFF marking. For a round gray and black handle, change "N" to "G". Example: change LA7-25-1753-WN to LA7-25-1753-WG. For a gray and black square handle (Type A), change "N" to "A". Example: change LA7-25-1753-WN to LA7-25-1753-WA.

All Type 4X Enclosed Disconnects come standard with a round yellow and red handle with defeatable door interlock (Type R) and ON/OFF marking. See pages L8...L9 for descriptions of all Switch Handle Assemblies.

- ① UL/CSA Approved enclosures do not provide for knockouts. Wire opening must be drilled by user.
- ② Up to two modifications available per Enclosed Disconnect (one modification possible on 4 pole switches).

- ③ Not available on four pole switches.
- ④ One additional factory modification possible.
- ⑥ Non-metallic enclosures are fiberglass reinforced polyester type.

L7 Enclosed Motor Disconnects (UL and CSA Approved Enclosures) ❶

UL/CSA Amps		Horsepower					Catalog Number	Price	Dimension	Painted Steel - UL Type 1/3/12/4 Operator - IP66, UL Type 3, 12					Nonmetallic - UL Type 1/3/12/4 Operator - IP66, UL Type 3, 12					Nonmetallic - UL Type 4/4X Operator - UL Type 4X					Stainless Steel - UL Type 4/4X Operator - UL Type 4X				
		1Ø		3Ø						Nonmetallic - UL Type 4/4X Operator - UL Type 4X					Stainless Steel - UL Type 4/4X Operator - UL Type 4X														
		120V	240V	240V	480V	600V				Nonmetallic - UL Type 4/4X Operator - UL Type 4X					Stainless Steel - UL Type 4/4X Operator - UL Type 4X														
3 Pole - ON/OFF (with 1 NOEM and 1 NCLB - Make Before Break)																													
16	1	2	3	7.5	10	LA7-16-1753-WN-PL11	286	A	LA7-16-1753-CN-PL11	320	C	LA7-16-1753-CR-PL11	381	C	LA7-16-1753-SR-PL11	978	A												
25	1	2	5	10	10	LA7-25-1753-WN-PL11	303	A	LA7-25-1753-CN-PL11	338	C	LA7-25-1753-CR-PL11	398	C	LA7-25-1753-SR-PL11	995	A												
32	1	3	7.5	15	15	LA7-32-1753-WN-PL11	320	A	LA7-32-1753-CN-PL11	355	C	LA7-32-1753-CR-PL11	415	C	LA7-32-1753-SR-PL11	1013	A												
40	2	3	10	20	20	LA7-40-1753-WN-PL11	353	A	LA7-40-1753-CN-PL11	389	C	LA7-40-1753-CR-PL11	447	C	LA7-40-1753-SR-PL11	1047	A												
63	3	5	15	25	25	LA7-63-1753-WN-PL11	383	A	LA7-63-1753-CN-PL11	419	C	LA7-63-1753-CR-PL11	477	C	LA7-63-1753-SR-PL11	1077	A												
80	5	10	25	40	50	LA7-80-1753-WN-PL11	432	B	LA7-80-1753-CN-PL11	589	D	LA7-80-1753-CR-PL11	656	D	LA7-80-1753-SR-PL11	1535	B												
100	7.5	15	30	50	50	LA7-100-1753-WN-PL11	479	B	LA7-100-1753-CN-PL11	636	D	LA7-100-1753-CR-PL11	703	D	LA7-100-1753-SR-PL11	1582	B												
4 Pole - ON/OFF (with 1 NOEM and 1 NCLB - Make Before Break) ❸																													
16	1	2	3	7.5	10	LA7-16-1754-WN-PL11	310	A	LA7-16-1754-CN-PL11	256	C	LA7-16-1754-CR-PL11	314	C	LA7-16-1754-SR-PL11	914	A												
25	1	2	5	10	10	LA7-25-1754-WN-PL11	333	A	LA7-25-1754-CN-PL11	325	C	LA7-25-1754-CR-PL11	383	C	LA7-25-1754-SR-PL11	983	A												
32	1	3	7.5	15	15	LA7-32-1754-WN-PL11	357	A	LA7-32-1754-CN-PL11	393	C	LA7-32-1754-CR-PL11	452	C	LA7-32-1754-SR-PL11	1051	A												
40	2	3	10	20	20	LA7-40-1754-WN-PL11	409	A	LA7-40-1754-CN-PL11	434	C	LA7-40-1754-CR-PL11	492	C	LA7-40-1754-SR-PL11	1092	A												
63	3	5	15	25	25	LA7-63-1754-WN-PL11	439	A	LA7-63-1754-CN-PL11	473	C	LA7-63-1754-CR-PL11	531	C	LA7-63-1754-SR-PL11	1131	A												
80	5	10	25	40	50	LA7-80-1754-WN-PL11	490	B	LA7-80-1754-CN-PL11	647	D	LA7-80-1754-CR-PL11	714	D	LA7-80-1754-SR-PL11	1593	B												
100	7.5	15	30	50	50	LA7-100-1754-WN-PL11	557	B	LA7-100-1754-CN-PL11	714	D	LA7-100-1754-CR-PL11	780	D	LA7-100-1754-SR-PL11	1660	B												
6 Pole - ON/OFF (with 1 NOEM and 1 NCLB - Make Before Break)																													
16	1	2	3	7.5	10	LA7-16-1756-WN-PL11	353	B	LA7-16-1756-CN-PL11	510	D	LA7-16-1756-CR-PL11	570	D	LA7-16-1756-SR-PL11	1449	B												
25	1	2	5	10	10	LA7-25-1756-WN-PL11	387	B	LA7-25-1756-CN-PL11	544	D	LA7-25-1756-CR-PL11	604	D	LA7-25-1756-SR-PL11	1484	B												
32	1	3	7.5	15	15	LA7-32-1756-WN-PL11	421	B	LA7-32-1756-CN-PL11	578	D	LA7-32-1756-CR-PL11	639	D	LA7-32-1756-SR-PL11	1518	B												
40	2	3	10	20	20	LA7-40-1756-WN-PL11	490	B	LA7-40-1756-CN-PL11	647	D	LA7-40-1756-CR-PL11	705	D	LA7-40-1756-SR-PL11	1585	B												
63	3	5	15	25	25	LA7-63-1756-WN-PL11	542	B	LA7-63-1756-CN-PL11	699	D	LA7-63-1756-CR-PL11	759	D	LA7-63-1756-SR-PL11	1638	B												

Modifications (Factory Assembled) ❷

Description	Catalog Number Suffix	Adder
Ground Terminal		
For LA7-16	-PE	17.95
For LA7-25 & 32	-PE	19.80
For LA7-40 & 63	-PE	26.70
For LA7-80 & 100	-PE	34.40
Neutral Terminal		
For LA7-16	-TN	17.95
For LA7-25 & 32	-TN	19.80
For LA7-40 & 63	-TN	26.70
For LA7-80 & 100	-TN	34.40

NOTE: All IP66, UL Type 3/12 Enclosed Disconnects come standard with a round, yellow and red, screw fixing handle (Type N) with ON/OFF marking. For a round gray and black handle, change "N" to "G". Example: change LA7-25-1753-WN to LA7-25-1753-WG. For a gray and black square handle (Type A), change "N" to "A". Example: change LA7-25-1753-WN to LA7-25-1753-WA.

All Type 4X Enclosed Disconnects come standard with a round yellow and red handle with defeatable door interlock ("Type R") and ON/OFF marking. See pages L8...L9 for descriptions of all Switch Handle Assemblies.


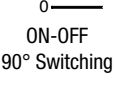
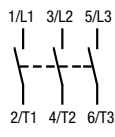

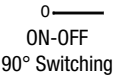
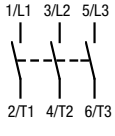
- ❶ UL/CSA Approved enclosures do not provide for knockouts. Wire opening must be drilled by user.
- ❷ One modification available per Enclosed Disconnect (no modifications available on 4 pole).

- ❸ Factory modifications not available.
- ❹ Nonmetallic enclosures are fiberglass reinforced polyester type.

LY7 Enclosed Load Disconnect Switches (IP Rated Enclosures) ①




Amp/Horsepower Rating						Plastic - IP66 ABS Enclosure Operator - IP66, Red/Yellow (Type N)		Plastic - IP66 ABS Enclosure Operator - IP66, Gray/Black (Type G)		Plastic - IP66 ABS Enclosure Operator - IP66, Silver/Black (Type A)	
						Image		Image		Image	
UL/CSA Amps	Horsepower					Catalog Number	Price	Catalog Number	Price	Catalog Number	Price
	1Ø		3Ø								
	120V	240V	240V	480V	600V						
3 Pole - ON/OFF											
16	1	2	3	7.5	10	LY7-16M-1753-N4	131	LY7-16M-1753-G4	131	LY7-16M-1753-A4	125
25	1	2	5	10	10	LY7-25-1753-N6	152	LY7-25-1753-G6	152	LY7-25-1753-A6	141
32	1	3	7.5	15	15	LY7-32-1753-N6	169	LY7-32-1753-G6	169	LY7-32-1753-A6	158
40	2	3	10	20	20	LY7-40-1753-N6	225	LY7-40-1753-G6	225	LY7-40-1753-A6	214
63	3	5	15	25	25	LY7-63-1753-N6	255	LY7-63-1753-G6	255	LY7-63-1753-A6	245
80	5	10	25	40	50	LY7-80-1753-N6	316	LY7-80-1753-G6	316	LY7-80-1753-A6	306
100	7.5	15	30	50	50	LY7-100-1753-N6	363	LY7-100-1753-G6	363	LY7-100-1753-A6	353
6 Pole - ON/OFF											
16	1	2	3	7.5	10	LY7-16M-1756-N6	180	LY7-16M-1756-G6	180	LY7-16M-1756-A6	170
25	1	2	5	10	10	LY7-25-1756-N6	287	LY7-25-1756-G6	287	LY7-25-1756-A6	277
32	1	3	7.5	15	15	LY7-32-1756-N6	321	LY7-32-1756-G6	321	LY7-32-1756-A6	311
40	2	3	10	20	20	LY7-40-1756-N6	366	LY7-40-1756-G6	366	LY7-40-1756-A6	355
63	3	5	15	25	25	LY7-63-1756-N6	472	LY7-63-1756-G6	472	LY7-63-1756-A6	462

Assembled L7 Disconnect Switches

Switch	Description	Function	Color	Circuit	Poles	UL/CSA Amps	Catalog Number	Price
	Type Q Load Switch - This pre-assembled switch is designed for panels with standard 45mm cutouts. The specially designed switch handle also makes it ideal for mounting <i>within</i> a distribution panel when ready access to the operator is not desired. Finger-proof to IP20.	 ON-OFF 90° Switching	Gray face/ Black Handle	 1/L1 3/L2 5/L3 2/T1 4/T2 6/T3	3	25	LA7-25-1753-Q	91.50
						32	LA7-32-1753-Q	109
	Emergency Off Switch - This yellow and red pre-assembled switch is designed as an Emergency Off for panels with standard 45mm cutouts. The specially designed switch handle also makes it ideal for mounting <i>within</i> a distribution panel when a color coded OFF switch is desired. Finger-proof to IP20 with provision for locking with one padlock.	 ON-OFF 90° Switching	Yellow face/ Red handle	 1/L1 3/L2 5/L3 2/T1 4/T2 6/T3	3	25	LA7-25-1753-R	91.50
						32	LA7-32-1753-R	109

① Suitable for use in NEMA 4 type applications (not UL listed).

Thermoplastic Enclosures (IP Rated)

Accessory	Description	Enclosure Size	For use with...	Poles	Shaft Required...	Catalog Number	Price
	ABS Enclosure – For High Impact Applications IP66, UL94 Flame Resistance - HB With pre-drilled holes for 64 x 64 operator or larger	95 (W) x 150 (H) x 86 (D)	LA7-25...32	3 / 4	LA2-G3194	LA2-G3572	50.50
		95 (W) x 150 (H) x 111 (D)				LA2-G3573	50.50
		125 (W) x 180 (H) x 105 (D)	LA7-25...32	6	With switch Supplied with enclosure	L7-G3663	78.50
			LA7-40...63	3 / 4			
		175 (W) x 230 (H) x 120 (D)	LA7-40...63	6	With switch Supplied with enclosure	L7-G3665	112
			LA7-80...100	3 / 4			
Without holes	95 (W) x 150 (H) x 86 (D) 95 (W) x 150 (H) x 111 (D)				LA2-G3574 LA2-G3575	44.00 48.50	
	Noryl Enclosure – For Corrosion Prone Applications IP66, UL94 Flame Resistance - V0 With pre-drilled holes for 64 x 64 operator or larger	95 (W) x 150 (H) x 86 (D)	LA7-25...32	3 / 4	LA2-G3194	LA2-G3576	69
		95 (W) x 150 (H) x 111 (D)				LA2-G3577	83
		125 (W) x 180 (H) x 105 (D)	LA7-25...32	6	With switch Supplied with enclosure	L7-G3664	100
			LA7-40...63	3 / 4			
		175 (W) x 230 (H) x 120 (D)	LA7-40...63	6	With switch Supplied with enclosure	L7-G3666	126
			LA7-80...100	3 / 4			
Without holes	95 (W) x 150 (H) x 86 (D) 95 (W) x 150 (H) x 111 (D)				LA2-G3578 LA2-G3579	67.75 76.25	
	Additional Ground & Neutral Terminals - (Provision for two. One included with enclosure)		LA2-G357... L7-G366...	All All		L7-G3653 L2-G3673	6.50 8.50

Technical Information

			16A	25A	32A	40A	63A	80A	100A	Aux. Cont.		
Performance Data												
Rated operational voltage U_e	UL/CSA	[V]	600	600	600	600	600	600	600	600		
	IEC ①	[V]	690	690	690	690	690	690	690	690		
Rated insulation voltage U_i	UL/CSA	[V]	600	600	600	600	600	600	600	600		
	IEC	[V]	690	690	690	690	690	690	690	690		
Rated impulse voltage U_{imp}	UL/CSA	[kV]	8	8	8	8	8	8	8	8		
Test voltage U_t	1 minute	[kV]	2.5	2.5	2.5	2.5	2.5	2.5	2.5	2.5		
Rated Frequency		[Hz]	50/60	50/60	50/60	50/60	50/60	50/60	50/60	50/60		
Conventional free air thermal current I_{th} ①		[A]	25	40	50	63	75	100	120	12		
Conventional enclosed thermal current I_{th} ①		[A]	20	32	40	50	63	80	100	10		
Rated Current I_e ①												
AC-1	Non-inductive or only slightly inductive loads	690V	[A]	16	25	32	40	63	80	100	10	
AC-21A	Switching of resistive loads with slight overload											
Rated Power P_e												
AC-23A	Occasional switching of 3Ø motors and other highly inductive loads (criterion for selecting main switches)	230V	[kW]	5.5	7.5	7.5	15	18.5	22	30	–	
		400V	[kW]	7.5	11	15	22	30	37	55	–	
		690V	[kW]	7.5	11	15	18.5	22	37	45	–	
AC-3	Squirrel cage motors; starting and stopping of running motors	230V	[kW]	4	5.5	7.5	11	15	18.5	22	–	
		400V	[kW]	5.5	7.5	11	15	18.5	30	37	–	
		690V	[kW]	5.5	7.5	11	15	18.5	30	22	–	
Short circuit current (Type 2 coordination)												
	Rated conditional short circuit current	400/415V	[kA]	20	20	15	20	15	30	25	–	
	Maximum fuse rating of circuit (type g, G)		[A]	20	25	35	50	63	80	100	–	
	Rated short-time current 1cw, 1s		[A]	800	900	900	1300	1300	2500	2500	–	
Rated breaking capacity AC23A (cosφ 0.45)												
		230V	[A]	156	296	296	484	484	780	780	–	
		400V	[A]	120	256	256	504	504	800	800	–	
		690V	[A]	70	136	136	196	196	376	376	–	
DC switching capacity												
Rated current I_e												
DC-21A	For resistive loads, T < 1 ms, U_e max = 660V	1 pole	24/48V	[A]	20	25	32	40	63	80	100	–
			110V	[A]	5	5	6	8	10	16	20	–
			220V	[A]	1	1	1	1.5	1.5	3	3	–
			440V	[A]	0.5	0.5	0.5	0.6	0.6	0.7	0.7	–
		2 poles	96V	[A]	20	25	32	40	63	80	100	–
			110V	[A]	20	23	25	32	50	70	80	–
			220V	[A]	5	5	6	8	10	16	20	–
			440V	[A]	1	1	1	1.5	1.5	3	3	–
		3 poles	600V	[A]	0.6	0.6	0.6	0.8	0.8	1	1	–
			110V	[A]	20	25	32	40	63	80	100	–
			220V	[A]	13	13	15	20	28	50	63	–
			440V	[A]	2.2	2.2	2.2	3.6	3.6	6.5	6.5	–
in series	600V	[A]	1.3	1.5	1.5	2	2	3	3	–		
	600V	[A]	1.3	1.5	1.5	2	2	3	3	–		
Rated power P_e												
DC-23A, DC-3, DC-5	3 poles	90V	[kW]	1	1.3	1.5	2.9	4.1	5.1	7.2	–	
		110V	[kW]	1	1.1	1.3	2.2	3.3	5.5	7	–	
	For inductive loads, in series	220V	[kW]	0.8	0.9	1.1	1.7	2	3.5	4.4	–	
		440V	[kW]	0.6	0.6	0.6	0.9	0.9	1.1	1.1	–	
		600V	[kW]	0.4	0.4	0.4	0.5	0.5	0.9	0.9	–	

① See Conformity to Standards on next page.

Technical Information (continued)

			16A	25A	32A	40A	63A	80A	100A	Aux. Cont.
UL/CSA Data										
Continuous current		[A]	16	25	32	40	63	80	100	–
Heavy Pilot Duty		[AC]	A600	A600	A600	–	–	–	–	A600
Standard Duty		[DC]	–	–	–	–	–	–	–	Q600
Motor Rating 60Hz	120V	[FLA]	16	16	16	24	34	56	80	–
		[HP]	1	1	1	2	3	5	7.5	–
	240V	[FLA]	12	12	17	17	28	50	68	–
		[HP]	2	2	3	3	5	10	15	–
Single phase, 2 poles	480V	[FLA]	8.5	8.5	14	21	26	34	68	–
		[HP]	3	3	5	7.5	10	15	30	–
	600V	[FLA]	11.2	11.2	11.2	16	20	27	44	–
		[HP]	5	5	5	7.5	10	15	25	–
	120V	[FLA]	13.6	13.6	19.2	30.4	40	56	84	–
		[HP]	2	2	3	5	7.5	10	15	–
Three phase	240V	[FLA]	9.6	15.2	22	28	42	68	80	–
		[HP]	3	5	7.5	10	15	25	30	–
	480V	[FLA]	11	14	21	27	34	52	65	–
		[HP]	7.5	10	15	20	25	40	50	–
	600V	[FLA]	11	11	17	22	27	52	52	–
		[HP]	10	10	15	20	25	50	50	–
L Short Circuit Ratings										
Maximum short circuit prospective fault current, RMS symmetrical, 600 VAC max.		[A]	5000	5000	5000	5000	5000	5000	5000	–
When protected by Class K5 fuses, maximum amperes of rated fuse		[A]	25	35	35	80	80	150	150	–

Mechanical Data

			16A	25A...32A	40A...63A	80A...100A	Aux. Cont.	
Protection class according to IEC 529								
Motor rating 60 Hz								
Actuators			IP66	IP66	IP66	IP66	IP66	
Switch bodies			IP20	IP20	IP20	IP20	IP20	
Mechanical life	[millions of operations]		0.2	0.2	0.2	0.2	0.2	
Maximum wire gauges								
Terminal size per IEC 947-1			A4	A6	A7	A9	2xA2	
Fine strands	1/2 conductor	[AWG]	(1)16...10/(2)16...12	(1)14...8/(2)14...10	(1)12...4/(2)12...8	(1)10...1/(2)10...4	18...14	
		[mm ²]	(1)1...10/(2)1...4	(1)1.5...16/(2)1.5...6	(1)2.5...25/(2)2.5...16	(1)4...50/(2)4...25	0.75...2.5	
Rigid wire	1/2 conductor	[AWG]	(1)16...8/(2)16...12	(1)14...8/(2)14...10	(1)12...4/(2)12...8	(1)10...1/(2)10...6	18...14	
		[mm ²]	(1)1.5...6/(2)1.5...4	(1)1.5...10/(2)1...6	(1)2.5...16/(2)2.5...10	(1)4...35/(2)4...16	0.5...2.5	
Tightening Torque	max.	[lb-in]	12	12	25	50	8	
		[Nm]	1.4	1.4	2.8	5.6	1.0	
Ambient Temperature	Operation	[°C]					-40...+80 °C (-40...+176 °F)	
	Storage	[°C]					-25...+60 °C (-13...+140 °F)	

Conformity to Standards: ①

IEC 947-1, IEC 947-3 Low voltage switchgear and control gear part 3: Switches, disconnectors, switch-disconnectors and fuse-combination units. CE

UL 508: Industrial Control Equipment

CSA: C22.2 No. 14: Industrial Control Equipment

Approvals: ①

UL Listed (File No. E54612 NLRV)

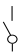
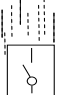

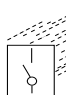
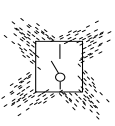
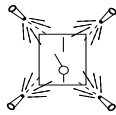
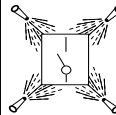
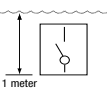
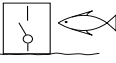

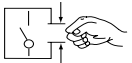
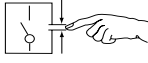
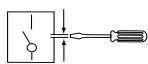
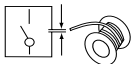


CSA Certified (LR 13002)

Meets IEC, VDE and BS standard requirements

IEC/CE Marked (Per EN60947-3)

① LA(E)-16 switches are cUL approved.

IP Ratings Definitions

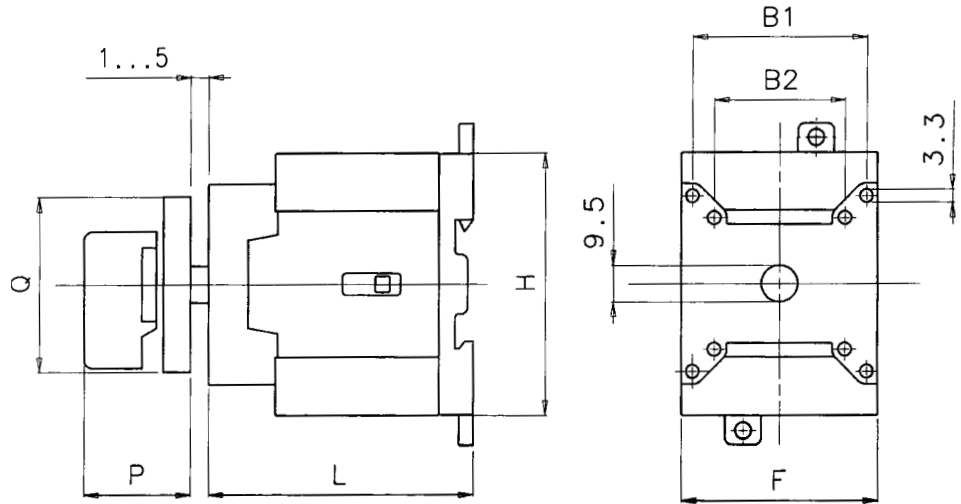
<p>IP Ratings Definitions</p> <p>The first IP number (left side of chart) is protection against solid objects. The second IP number (across top) is protection against liquids. The chart itself shows degrees of protection according to IEC 529.</p>	 No protection IP...0	 Protected against vertically falling drops of water (condensation) IP...1	 Protected against dripping water with enclosure up to 15° from vertical IP...2	 Protected against sprayed water up to 60° from vertical IP...3	 Protected against sprayed water from all directions (limited ingress permitted) IP...4	 Protected against low pressure water jets from all directions (limited ingress permitted) IP...5	 Protected against strong jets of water from all directions IP...6	 Protected against immersion up to one meter IP...7	 Protected against long periods of immersion under pressure IP...8
<p>IP0...</p>  No protection	<p>IP00</p>								
<p>IP1...</p>  Protected against solid objects up to 50mm (accidental touch by hands)	<p>IP10</p>	<p>IP11</p>	<p>IP12</p>						
<p>IP2...</p>  Protected against solid objects up to 12mm (fingers, knuckles)	<p>IP20</p>	<p>IP21</p>	<p>IP22</p>	<p>IP23</p>					
<p>IP3...</p>  Protected against solid objects up to 2.5mm (tools, wires)	<p>IP30</p>	<p>IP31</p>	<p>IP32</p>	<p>IP33</p>	<p>IP34</p>				
<p>IP4...</p>  Protected against solid objects up to 1mm (wires)	<p>IP40</p>	<p>IP41</p>	<p>IP42</p>	<p>IP43</p>	<p>IP44</p>				
<p>IP5...</p>  Protected against dust (limited ingress permitted)	<p>IP50</p>			<p>IP53</p>	<p>IP54</p>	<p>IP55</p>	<p>IP56</p>		
<p>IP6...</p>  Totally protected against dust	<p>IP60</p>					<p>IP65</p>	<p>IP66</p>	<p>IP67</p>	

NEMA / UL Type Definitions

For a degree of protection against:	NEMA / UL Type								
	Indoor Use			Outdoor Use		Indoor or Outdoor Use			
	1	12	13	3R	3	4	4X	6P	6
Incidental contact with enclosed equipment	•	•	•	•	•	•	•	•	•
Falling dirt	•	•	•	•	•	•	•	•	•
Rust	•	•	•	•	•	•	•	•	•
Circulating dust, lint, fibers and flyings		•	•		•	•	•	•	•
Windblown dust					•	•	•	•	•
Falling liquids and light splashing		•	•		•	•	•	•	•
Rain (limited water allowed inside)				•	•	•	•	•	•
Rain (no water allowed inside)					•	•	•	•	•
Snow and sleet				•	•	•	•	•	•
Hosedown and splashing water						•	•	•	
Occasional prolonged submersion								•	•
Oil or coolant spraying or splashing			•						
Corrosive agents							•	•	
Occasional temporary submersion								•	•

LE7 Front Mount (3 Pole) with Screw Fixing Handle

Dimensions are in millimeters (inches). Dimensions not intended for manufacturing purposes.

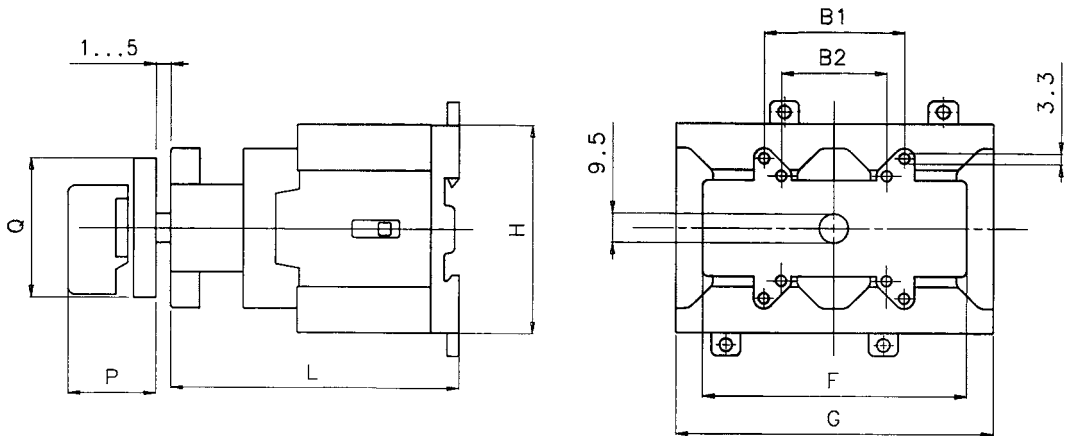


Switch Handle		
Type	P	Q
LFS2-A-4	28	48 x 48
LFS2-E-4	28	48 x 48
LFS2-I-4	28	48 x 48
LFS2-L-4	28	48 x 48
LFS2-S-4	28	48 x 62
LFS2-A-6	28	64 x 64
LFS2-E-6	28	64 x 64
LFS2-I-6	28	64 x 64
LFS2-L-6	28	64 x 64
LFS2-S-6	28	64 x 78
LFS7-G-4	34	54 x 54
LFS7-N-4	34	54 x 54
LFS2-G-6	34	67 x 67
LFS2-N-6	34	67 x 67
LFS2-A-8	45	88 x 88
LFS2-I-8	45	88 x 88
LFS2-G-8	49	88 x 88
LFS2-N-8	49	88 x 88

Switch Body					
Type	B1	B2	F	H	L
LE7-16	-	28	36	63	51
LE7-25/32	-	36	45	63	60
LE7-40/63	48	36	54	72	74
LE7-80/100	48	36	72	90	90

LE7 Front Mount (6 Pole) with Screw Fixing Handle

Dimensions are in millimeters (inches). Dimensions not intended for manufacturing purposes.

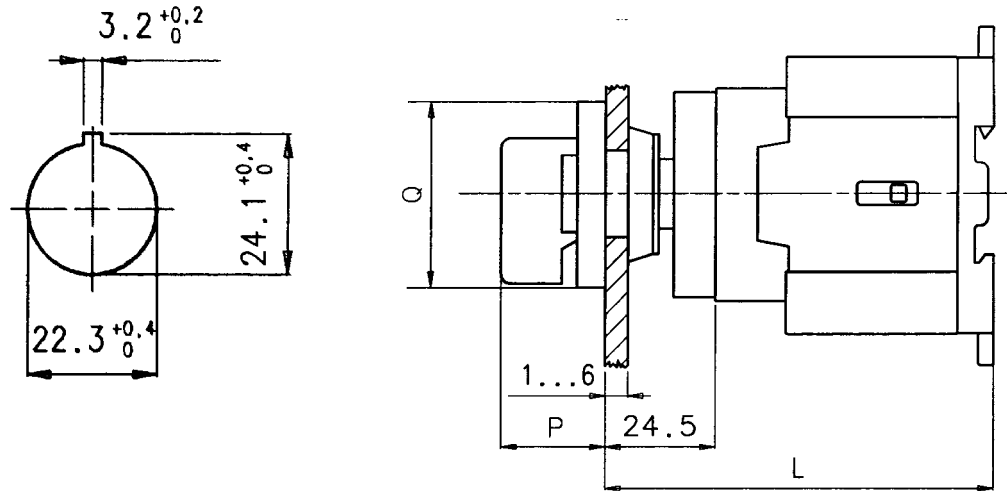


Switch Handle		
Type	P	Q
LFS2-A-4	28	48 x 48
LFS2-E-4	28	48 x 48
LFS2-I-4	28	48 x 48
LFS2-L-4	28	48 x 48
LFS2-S-4	28	48 x 62
LFS2-A-6	28	64 x 64
LFS2-E-6	28	64 x 64
LFS2-I-6	28	64 x 64
LFS2-L-6	28	64 x 64
LFS2-S-6	28	64 x 78
LFS7-G-4	34	54 x 54
LFS7-N-4	34	54 x 54
LFS2-G-6	34	67 x 67
LFS2-N-6	34	67 x 67
LFS2-A-8	45	88 x 88
LFS2-I-8	45	88 x 88
LFS2-G-8	49	88 x 88
LFS2-N-8	49	88 x 88

Switch Body						
Type	B1	B2	F	G	H	L
LE7-16	-	28	90	81.5	63	76
LE7-25/32	-	36	90	90	63	85
LE7-40/63	48	48	90	108	72	99
LE7-80/100	48	36	116	144	90	115

LE7 Front Mount (3 Pole) with Central Nut Fixing Handle

Dimensions are in millimeters (inches). Dimensions not intended for manufacturing purposes.



Switch Handle

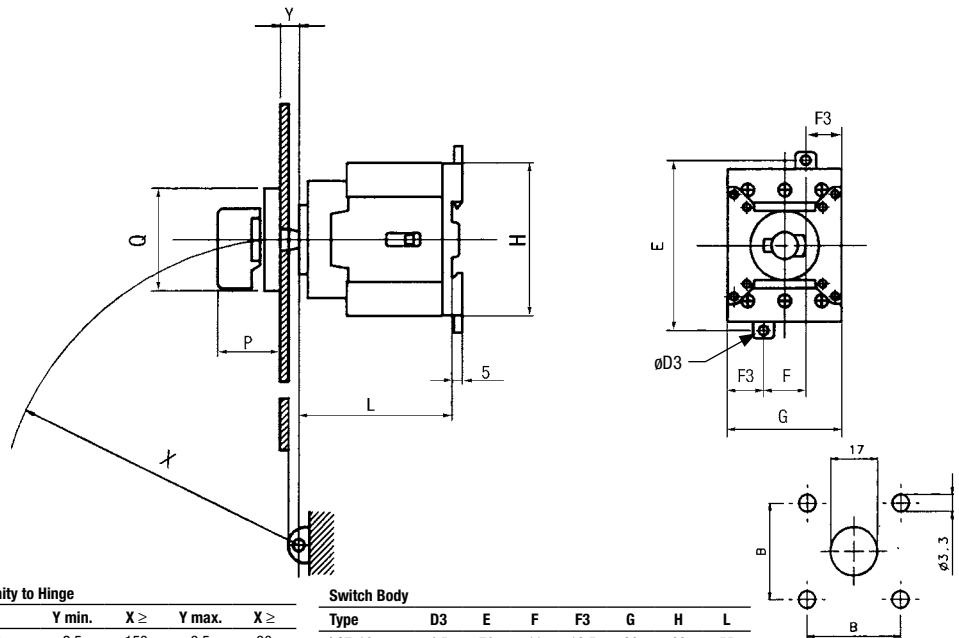
Type	P	Q
LFC2-A-4	29	48 x 48
LFC2-E-4	29	48 x 48
LFC2-I-4	29	48 x 48
LFC2-L-4	29	48 x 48
LFC2-G-6	34	67 x 67
LFC2-N-6	34	67 x 67

Switch Body

Type	L
LE7-16	75.5
LE7-25/32	84.5
LE7-40/63	98.5

LA7 Base Mount (3 Pole) with Screw Fixing Handle

Dimensions are in millimeters (inches). Dimensions not intended for manufacturing purposes.



Switch Handle

Type	P	Q	B
LFS2-A-4	28	48 x 48	36
LFS2-E-4	28	48 x 48	36
LFS2-I-4	28	48 x 48	36
LFS2-L-4	28	48 x 48	36
LFS2-S-4	28	48 x 62	36
LFS2-A-6	28	64 x 64	48 (36)
LFS2-E-6	28	64 x 64	48 (36)
LFS2-I-6	28	64 x 64	48 (36)
LFS2-L-6	28	64 x 64	48 (36)
LFS2-S-6	28	64 x 78	48 (36)
LFS7-G-4	34	54 x 54	36
LFS7-N-4	34	54 x 54	36
LFS2-G-6	34	67 x 67	48 (36)
LFS2-N-6	34	67 x 67	48 (36)
LFS2-A-8	45	88 x 88	48
LFS2-I-8	45	88 x 88	48
LFS2-G-8	49	88 x 88	48
LFS2-N-8	49	88 x 88	48

Proximity to Hinge

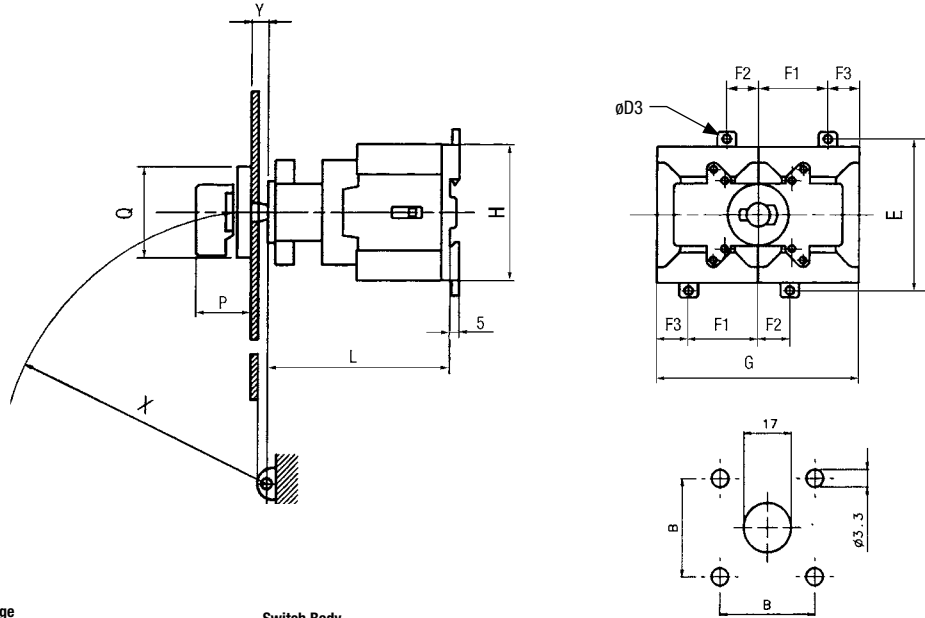
Type	Y min.	X ≥	Y max.	X ≥
LE7-16	2.5	150	9.5	90
LE7-25/32	2.5	150	9.5	90
LE7-40/63	2.5	150	9.5	90
LE7-80/100	2.5	150	9.5	90

Switch Body

Type	D3	E	F	F3	G	H	L
LA7-16	4.5	70	11	12.5	36	63	55
LA7-25/32	4.5	70	15	15	45	63	59
LA7-40/63	4.5	80	20	17	54	72	73
LA7-80/100	5.6	95	25	23.5	72	90	89

LA7 Base Mount (6 Pole) with Screw Fixing Handle

Dimensions are in millimeters (inches). Dimensions not intended for manufacturing purposes.



Switch Handle

Type	P	Q	B
LFS2-A-4	28	48 x 48	36
LFS2-E-4	28	48 x 48	36
LFS2-I-4	28	48 x 48	36
LFS2-L-4	28	48 x 48	36
LFS2-S-4	28	48 x 62	36
LFS2-A-6	28	64 x 64	48 (36)
LFS2-E-6	28	64 x 64	48 (36)
LFS2-I-6	28	64 x 64	48 (36)
LFS2-L-6	28	64 x 64	48 (36)
LFS2-S-6	28	64 x 78	48 (36)
LFS7-G-4	34	54 x 54	36
LFS7-N-4	34	54 x 54	36
LFS2-G-6	34	67 x 67	48 (36)
LFS2-N-6	34	67 x 67	48 (36)
LFS2-A-8	45	88 x 88	48
LFS2-I-8	45	88 x 88	48
LFS2-G-8	49	88 x 88	48
LFS2-N-8	49	88 x 88	48

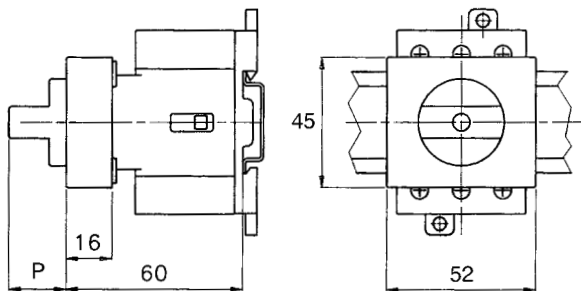
Proximity to Hinge

Type	Y min.	X ≥	Y max.	X ≥
LE7-16	2.5	150	9.5	90
LE7-25/32	2.5	150	9.5	90
LE7-40/63	2.5	150	9.5	90
LE7-80/100	2.5	150	9.5	90

Switch Body

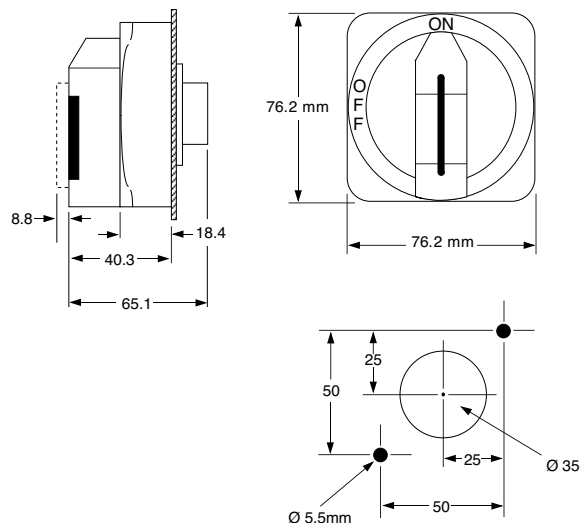
Type	D3	E	F1	F2	F3	G	H	L
LA7-16	4.5	70	xx	12.5	12.5	90	63	55
LA7-25/32	4.5	70	30	15	15	90	63	84
LA7-40/63	4.5	80	37	17	17	108	72	98
LA7-80/100	5.6	95	48.5	23.5	23.5	144	90	114

Type Q and Emergency Off Switch



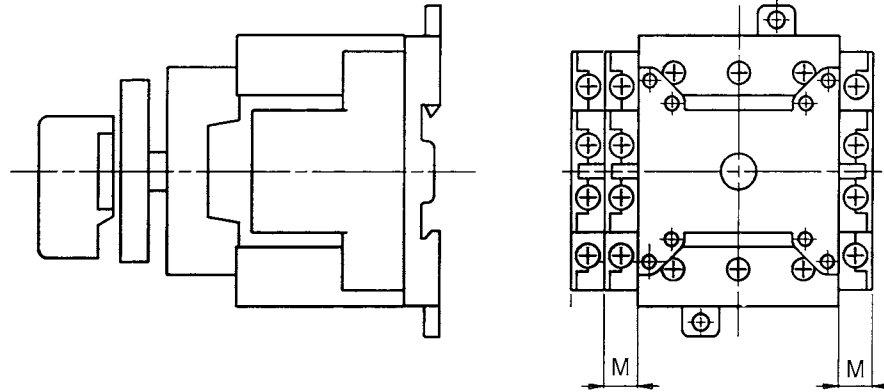
Type	P
LA7-25(32)-1753-Q	20
LA7-25(32)-1753-R	23

L10-HS4... (Type R) Switch Handle Assembly



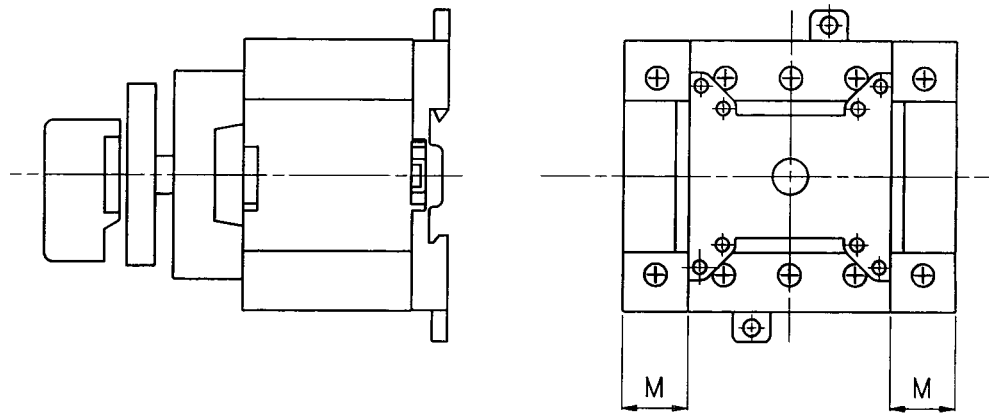
L7 with Auxiliary Contact Blocks

Dimensions are in millimeters (inches). Dimensions not intended for manufacturing purposes.



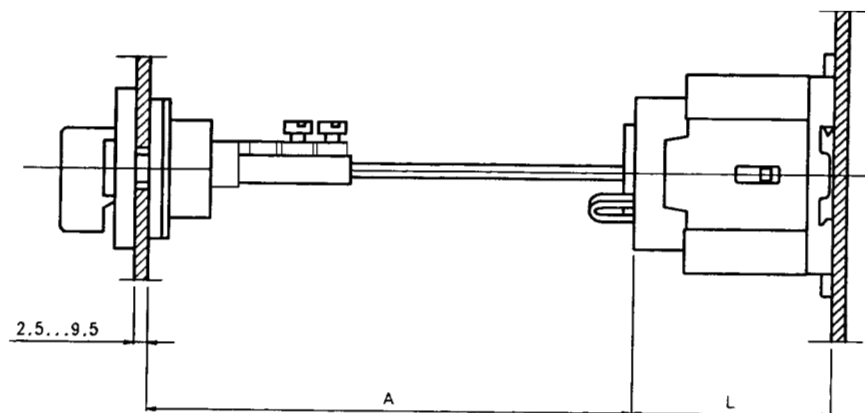
Contacts	M
1 N.O. + 1 N.C.	9
2 N.O. + 2 N.C.	18

L7 with Ground, Neutral and Fourth Pole



Type	M
L7-16	12.5
L7-20/32	14
L7-40/63	17.5
L7-80/100	22

Metal Shaft Extension (LA2-G3393[4])

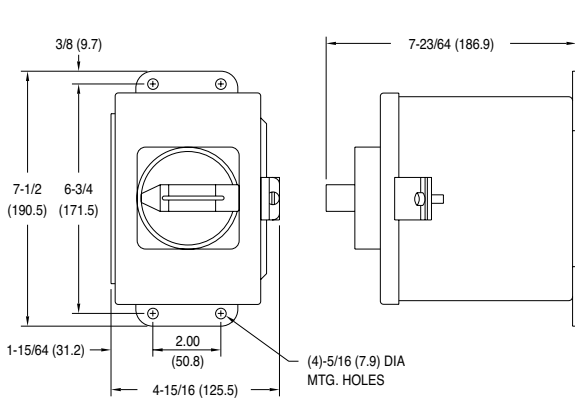


Switch Body	
Type	L
LA7-16	55
LA7-20/32	59
LA7-40/63	73
LA7-80/100	89

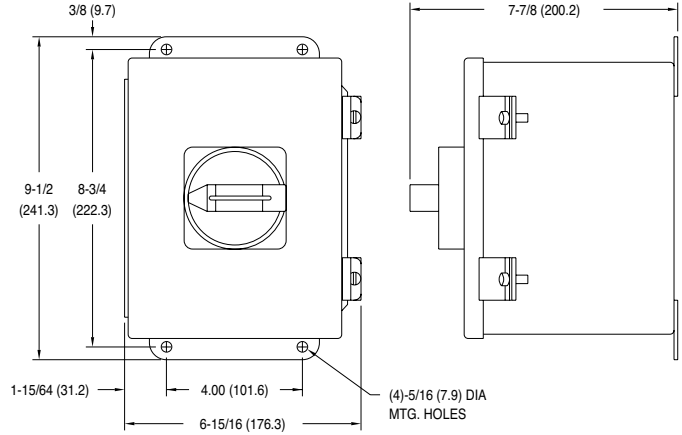
Shaft	
Type	A
LA2-G3393	110...235
LA2-G3394	230...350

L7 Enclosed Motor Disconnect

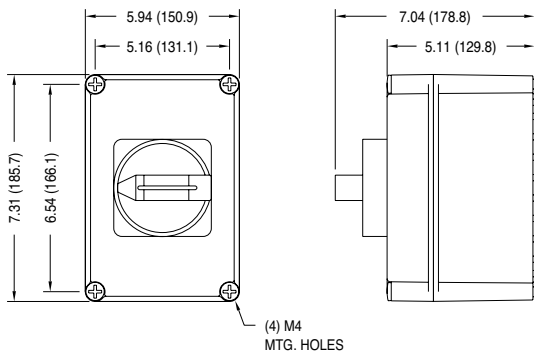
Dimensions are in millimeters (inches). Dimensions not intended for manufacturing purposes.



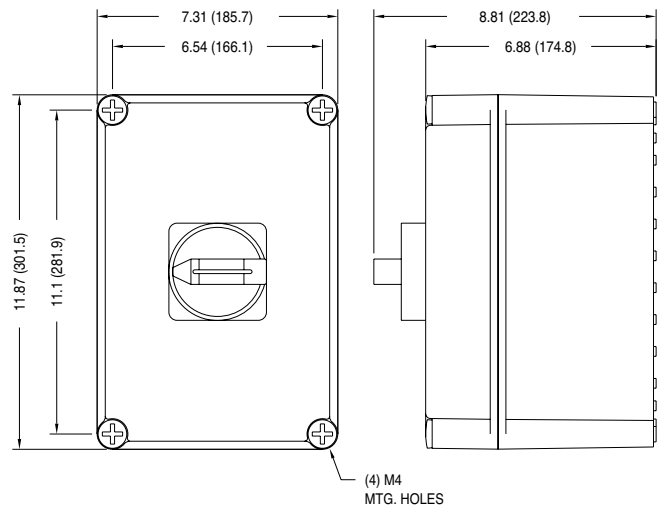
Dimension Code A



Dimension Code B



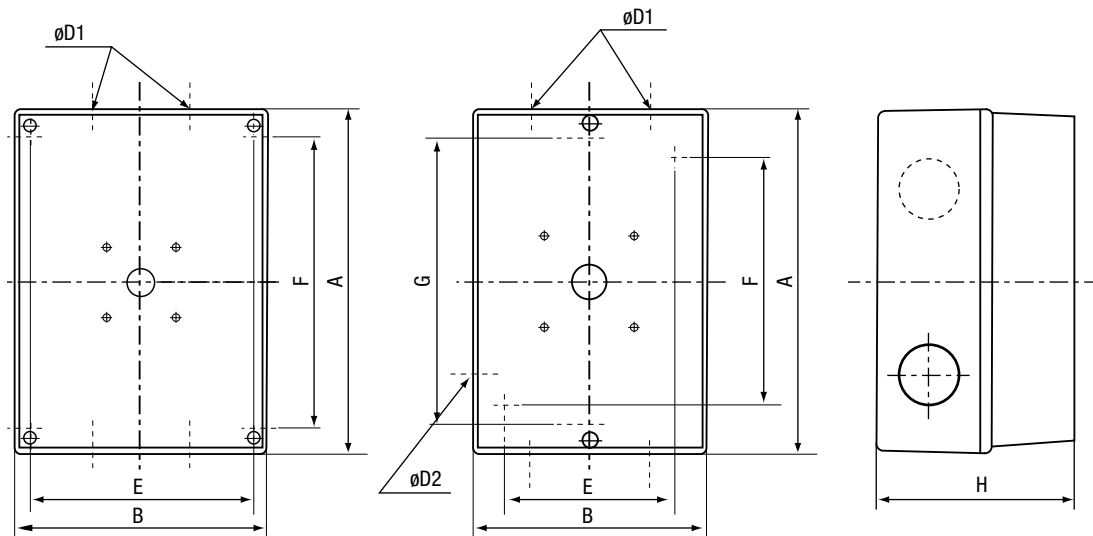
Dimension Code C



Dimension Code D

LY7 Enclosed Load Disconnect Switch (and Thermoplastic Enclosures)

Dimensions are in millimeters (inches). Dimensions not intended for manufacturing purposes.



Type		Enclosure		A	B	ø		E	F	G	H
		ABS	Noryl			øD1	øD2				
LY7-16M	3 poles	❶	❶	118	70	16/20	~	50	105	~	70
	6 poles	L7-G3663	L7-G3664	180	125	25/30	~	~	~	145	105
LY7-25/32	3/4 poles	LA2-G3572	LA2-G3576	150	95	22.5/28.5	22.5	60	115	~	86
	6 poles	L7-G3663	L7-G3664	180	125	28.5/37.5	~	~	~	145	105
LY7-40/63	3/4 poles	L7-G3663	L7-G3664	180	125	28.5/37.5	~	~	~	145	105
	6 poles	L7-G3665	L7-G3666	230	175	37.5/47.5	~	155	195	~	120
LY7-80/100	3/4 poles	L7-G3665	L7-G3666	230	175	37.5/47.5	~	155	195	~	120

❶ Empty enclosures not available for purchase
 ❷ LA7-16 units have one knock-out on each end. All others have two knock-outs on each end.