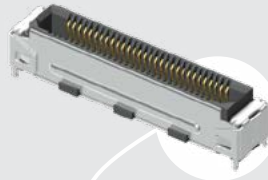




ERF8-030-07.0-L-DV-EGPS-TR



ERF8-030-05.0-L-DV-S-TR

ERF8-S SERIES

(0.80 mm) .0315"

RUGGED HIGH-SPEED SHIELDED SOCKET

SPECIFICATIONS

For complete specifications and recommended PCB layouts see www.samtec.com?ERF8

Insulator Material:

Black LCP

Contact Material:

BeCu

Plating:

Au or Sn over 50 μ" (1.27 μm) Ni

Current Rating:

2.2 A per pin

(2 pins powered)

Operating Temp Range:

-55 °C to + 125 °C

Voltage Rating:

225 VAC / 318 VDC

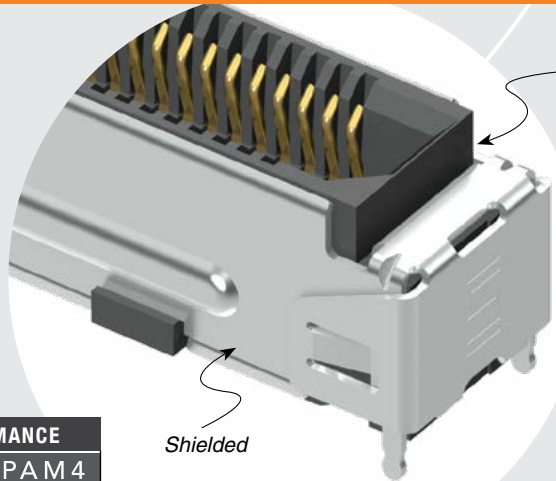
RoHS Compliant:

Yes

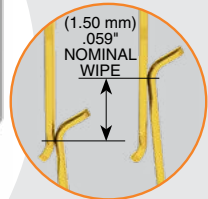
Board Mates:

See "Mated Height" Chart

(Note: ERM8-EGPS does not mate with ERF8-S)



Choice of 5 mm or 7 mm lead style



HIGH-SPEED CHANNEL PERFORMANCE

ERM8/ERF8 @ 7 mm Mated Stack Height

Rating based on Samtec reference channel.

For full SI performance data visit Samtec.com or contact SIG@samtec.com

PAM 4

56 Gbps

MATED HEIGHT			
7 mm	9 mm	12 mm	16 mm
ERF8-05.0-S to ERM8-02.0-S	ERF8-07.0-EGPS to ERM8-02.0-S	ERF8-07.0-EGPS to ERM8-05.0-EGPS	ERF8-07.0-EGPS to ERM8-09.0-EGPS

PROCESSING

Lead-Free Solderable:

Yes

SMT Lead Coplanarity:

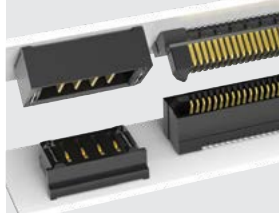
(0.10 mm) .004" max (005-030)

RECOGNITIONS

For complete scope of recognitions see www.samtec.com/quality



POWER/SIGNAL APPLICATION



Compatible with UMPT/UMPS for flexible two-piece power/signal solutions

ALSO AVAILABLE (MOQ Required)

- Mezzanine stack heights

Notes:

Patented

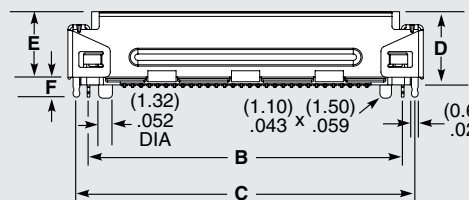
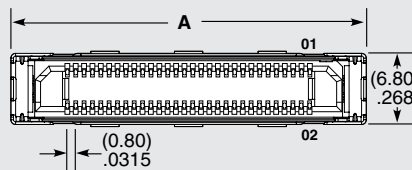
Some lengths, styles and options are non-standard, non-returnable.

ERF8	NO. OF POSITIONS PER ROW	LEAD STYLE	PLATING OPTION	DV	OTHER OPTION	TR
	-010, -020, -025, -030	Specify LEAD STYLE from chart	-L = 10 μ" (0.25 μm) Gold on contact, Matte Tin on tail -S = 30 μ" (0.76 μm) Gold on contact, Matte Tin on tail		-S = Shield (-05.0 style only) -EGPS = Extended Guide Post Shield (Lead Style -07.0 only) -K = (6.00 mm) .236" DIA Polyimide Film Pick & Place Pad	-TR = Tape & Reel Packaging

NO. OF POSITIONS	A	B	C
-010	(18.0) .71	(14.00) .551	(16.36) .644
-020	(26.0) 1.02	(22.00) .866	(24.36) .959
-025	(30.0) 1.18	(26.00) 1.024	(28.36) 1.117
-030	(34.0) 1.34	(30.00) 1.181	(32.36) 1.274

LEAD STYLE	D	E
-05.0	(5.10) .201	(4.27) .168
-07.0	(7.00) .276	(6.25) .246

OPTION	F
-S	(1.63) .064
-EGPS	(1.17) .046



Due to technical progress, all designs, specifications and components are subject to change without notice.

WWW.SAMTEC.COM

All parts within this catalog are built to Samtec's specifications.

Customer specific requirements must be approved by Samtec and identified in a Samtec customer-specific drawing to apply.