

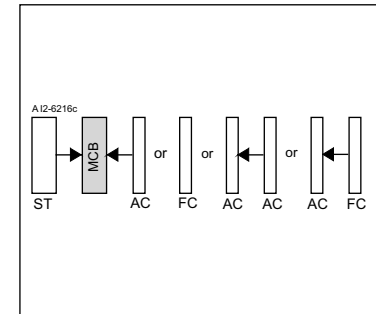


Accessories

Signalling Accessories for 5SX2 & 5SX5 Circuit Breakers

Illustration	Description	Version	Catalog No	Price \$
	Auxiliary Contact (AC)	1 NO & 1 NC 2 NO 2 NC	5SX9100 5SX9101 5SX9102	54. 54. 54.
	Short Circuit Alarm Contact (FC)	1 NO & 1 NC 2 NO 2 NC	5SX9200 5SX9201 5SX9202	54. 54. 54.
	Shunt Trip (ST)	110V–415V 50/60Hz	5SX9300	108.

Schematic for 5SX2 & 5SX5 Circuit Breakers



Busbar Accessories for 5SX2 & 5SX5 Miniature Circuit Breakers

Illustration	Number of Pole Spaces	Description	Catalog No	Price \$
	Line Side Feeder Bus Bars—Requires Bus Feeder Lug			
	One Pole			
	12	210 mm length with end cap	5ST2142	18.00
	56	1000 mm length without end cap ^①	5ST2151	65.00
	28	1000 mm length without end cap with space for accessory ^①	5ST2163	65.00
	Two Pole			
	12	210 mm length with end cap	5ST2143	21.50
	56	1000 mm length without end cap ^①	5ST2152	90.00
	28	1000 mm length without end cap with space for accessory ^①	5ST2164	182.00
	Three Pole			
	12	210 mm length with end cap	5ST2144	29.00
	56	1000 mm length without end cap ^①	5ST2153	123.00
	28	1000 mm length without end cap with space for accessory ^①	5ST2165	123.00
	End Caps for Line Side Feeder Bus			
		One pole and Two pole end caps	5ST2155	1.20
	Three pole and Four pole end caps	5ST2156	1.80	
Feeder Lug for Line Side Feeder Bus				
	One pole and Two pole feeder lug	per lug/phase: 5ST2166	12.00	
	Three pole and Four pole feeder lug	per lug/phase: 5ST2167	12.00	

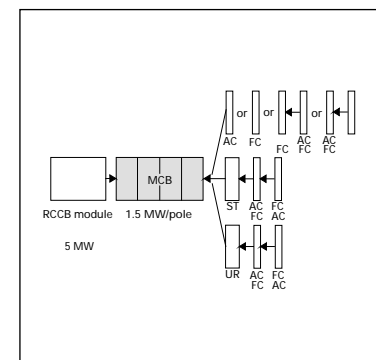
Mounting Accessory for 5SX2 & 5SX5 Circuit Breakers

Description	Catalog No	Price \$
Front mounting bracket kit for 5SX2 & 5SX5 one, two and three pole circuit breakers. Allows circuit breaker to be mounted to the door of an enclosure.	5STFMB	12.00

Signalling Accessories for 5SX6 Circuit Breakers

Illustration	Description	Version	Catalog No	Price \$
	Auxiliary Contact (AC)	1 NO & 1 NC	5SX9160	54.00
	Short Circuit Alarm Contact (FC)	1 NO & 1 NC	5SX9260	54.00
	Shunt Trip (ST)	24–48V DC 110V–415V 50/60Hz	5SX9361 5SX9360	105.00 ^② 105.00 ^②

Schematic for 5SX6 Circuit Breakers



①These feeder bus bars are designed to be cut to required length. Order (2) end caps for each bus bar section.

②Discount Code: Siemens AG.