

SITOR SWITCH DISCONNECTOR 10X38,
UP TO 32 A, 690 V AC



Similar to image

Technical data:

Tension d'emploi / sous AC / valeur assignée / maximum	V	690
Continuous current / rated value	A	32
Conditional short-circuit current (I_q) / rated value	kA	50
Number of poles		1
Design of the electrical connection / for main current circuit		screw-type terminals
Protection class IP / on the front		Other
Product function / fuse monitoring		No
Acceptability for application		
• switch disconnecter		Yes
• main switch		No
• safety cut-out switch		Yes
• emergency stop switch		No
Design of the operating mechanism		others
Installation size of fuse-link		Other
Mounting type		
• floor mounting		No
• front mounting		Yes
• rail mounting		No

Certificates/approvals:

General Product Approval

Declaration of
Conformity

other



CCC



CSA



GOST



UL



EG-Konf.

[other](#)

Further information:

Information- and Downloadcenter (Catalogs, Brochures,...)

<http://www.siemens.com/lowvoltage/catalogs>

Industry Mall (Online ordering system)

<https://eb.automation.siemens.com/mall/en/WW/Catalog/Product/3NC1091>

Service&Support (Manuals, Certificates, Characteristics, FAQs,...)

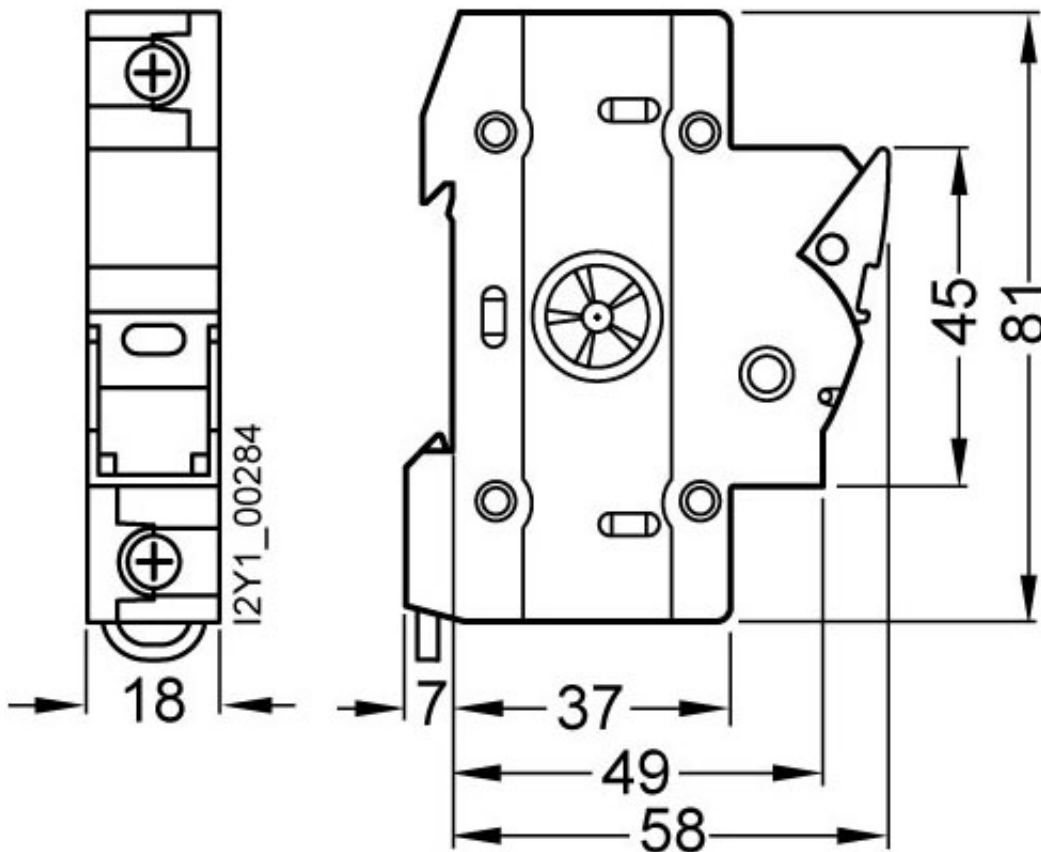
<http://support.automation.siemens.com/WW/view/en/3NC1091/all>

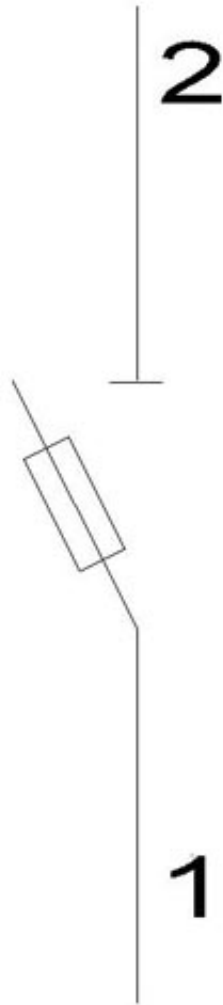
Image database (product images, 2D dimension drawings, 3D models, device circuit diagrams, ...)

http://www.automation.siemens.com/bilddb/cax_en.aspx?mlfb=3NC1091

CAX-Online-Generator

<http://www.siemens.com/cax>





last change:

Jul 7, 2014