

Position switch Plastic enclosure according to EN 50047, 31 mm
 Device connection 1 x (M20 x 1.5) 1 NO/2 NC quick action contacts
 Roller plunger, Form C with plastic roller 10 mm



| | |
|--------------------------------------|---|
| Product brand name | SIRIUS |
| Product designation | Mechanical position switches |
| Product type designation | 3SE5 |
| Manufacturer's article number | <ul style="list-style-type: none"> • of the supplied basic switch 3SE5232-0LC05 • of the supplied actuator head for position switches 3SE5000-0AD03 • of the supplied switching contacts 3SE5000-0LA00 • of the supplied empty enclosure with cover 3SE5232-0AC05 |
| Suitability for use safety switch | Yes |

| General technical data | |
|--|--------------|
| Product function | |
| <ul style="list-style-type: none"> • positive opening | Yes |
| Degree of pollution | class 3 |
| Surge voltage resistance rated value | 6 kV |
| Protection class IP | IP65 |
| Shock resistance | |
| <ul style="list-style-type: none"> • acc. to IEC 60068-2-27 | 30 g / 11 ms |
| Mechanical service life (switching cycles) | |

| | |
|--|--|
| • typical | 15 000 000 |
| Electrical endurance (switching cycles) | |
| • at AC-15 at 230 V typical | 100 000 |
| Electrical endurance (switching cycles) with contactor 3RH11, 3RT1016, 3RT1017, 3RT1024, 3RT1025, 3RT1026 typical | 10 000 000 |
| Electrical operating cycles in one hour with contactor 3RH11, 3RT1016, 3RT1017, 3RT1024, 3RT1025, 3RT1026 | 6 000 |
| Thermal current | 10 A |
| Material of the enclosure of the switch head | plastic |
| Reference code acc. to DIN EN 81346-2 | B |
| Reference code acc. to DIN EN 61346-2 | B |
| Continuous current of the C characteristic MCB | 1 A; for a short-circuit current smaller than 400 A |
| Continuous current of the quick DIAZED fuse link | 10 A; for a short-circuit current smaller than 400 A |
| Continuous current of the DIAZED fuse link gG | 6 A |
| Active principle | mechanical |
| Repeat accuracy | 0.05 mm |
| Minimum actuating force in activation direction | 20 N |
| Length of the sensor | 86 mm |
| Width of the sensor | 31 mm |
| Design of the switching contact | mechanical |
| Operating frequency rated value | 50 ... 60 Hz |
| Number of NC contacts for auxiliary contacts | 2 |
| Number of NO contacts for auxiliary contacts | 1 |
| Number of CO contacts for auxiliary contacts | 1 |
| Operating current at AC-15 | |
| • at 24 V rated value | 6 A |
| • at 240 V rated value | 6 A |
| • at 400 V rated value | 4 A |
| Operating current at DC-13 | |
| • at 24 V rated value | 3 A |
| • at 125 V rated value | 0.55 A |
| • at 250 V rated value | 0.27 A |
| • at 400 V rated value | 0.12 A |
| Design of the interface for safety-related communication | without |

Enclosure

| | |
|---|---------------|
| Design of the housing | block, narrow |
| Material of the enclosure | plastic |
| Coating of the enclosure | Other types |
| Design of the housing acc. to standard | Yes |

Drive Head

| | |
|---|--------------------------------|
| Design of the operating mechanism | Roller plunger, plastic roller |
| Standard-compliant actuator head | EN 50047, design C |
| Shape of the switch head | roller |
| Design of the switching function | positive opening |
| Circuit principle | snap-action contacts |
| Number of switching contacts safety-related | 2 |

| Connections/ Terminals | |
|--|---|
| Type of electrical connection | screw-type terminals |
| Type of connectable conductor cross-sections | |
| <ul style="list-style-type: none"> • solid | 1x (0.5 ... 1.5 mm ²), 2x (0.5 ... 0.75 mm ²) |
| <ul style="list-style-type: none"> • finely stranded with core end processing | 1x (0.5 ... 1.5 mm ²), 2x (0.5 ... 0.75 mm ²) |
| <ul style="list-style-type: none"> • at AWG conductors solid | 1x (20 ... 16), 2x (20 ... 18) |
| <ul style="list-style-type: none"> • at AWG conductors stranded | 1x (20 ... 16), 2x (20 ... 18) |
| Cable entry type | 1x (M20 x 1.5) |

| Communication/ Protocol | |
|-------------------------|---------|
| Design of the interface | without |

| Ambient conditions | |
|--|------|
| Explosion protection category for dust | none |

| Installation/ mounting/ dimensions | |
|------------------------------------|--------------|
| Mounting position | any |
| Mounting type | screw fixing |

Certificates/ approvals

| General Product Approval | Functional Safety/Safety of Machinery | Declaration of Conformity |
|--------------------------|---------------------------------------|---------------------------|
|--------------------------|---------------------------------------|---------------------------|



[Type Examination Certificate](#)



| Declaration of Conformity | Test Certificates | other |
|-------------------------------|--|------------------------------|
| Miscellaneous | Type Test Certificates/Test Report | Confirmation |

Further information

Information- and Downloadcenter (Catalogs, Brochures,...)
www.siemens.com/sirius/catalogs

Industry Mall (Online ordering system)

<https://mall.industry.siemens.com/mall/en/en/Catalog/product?mlfb=3SE5232-0LD03>

Cax online generator

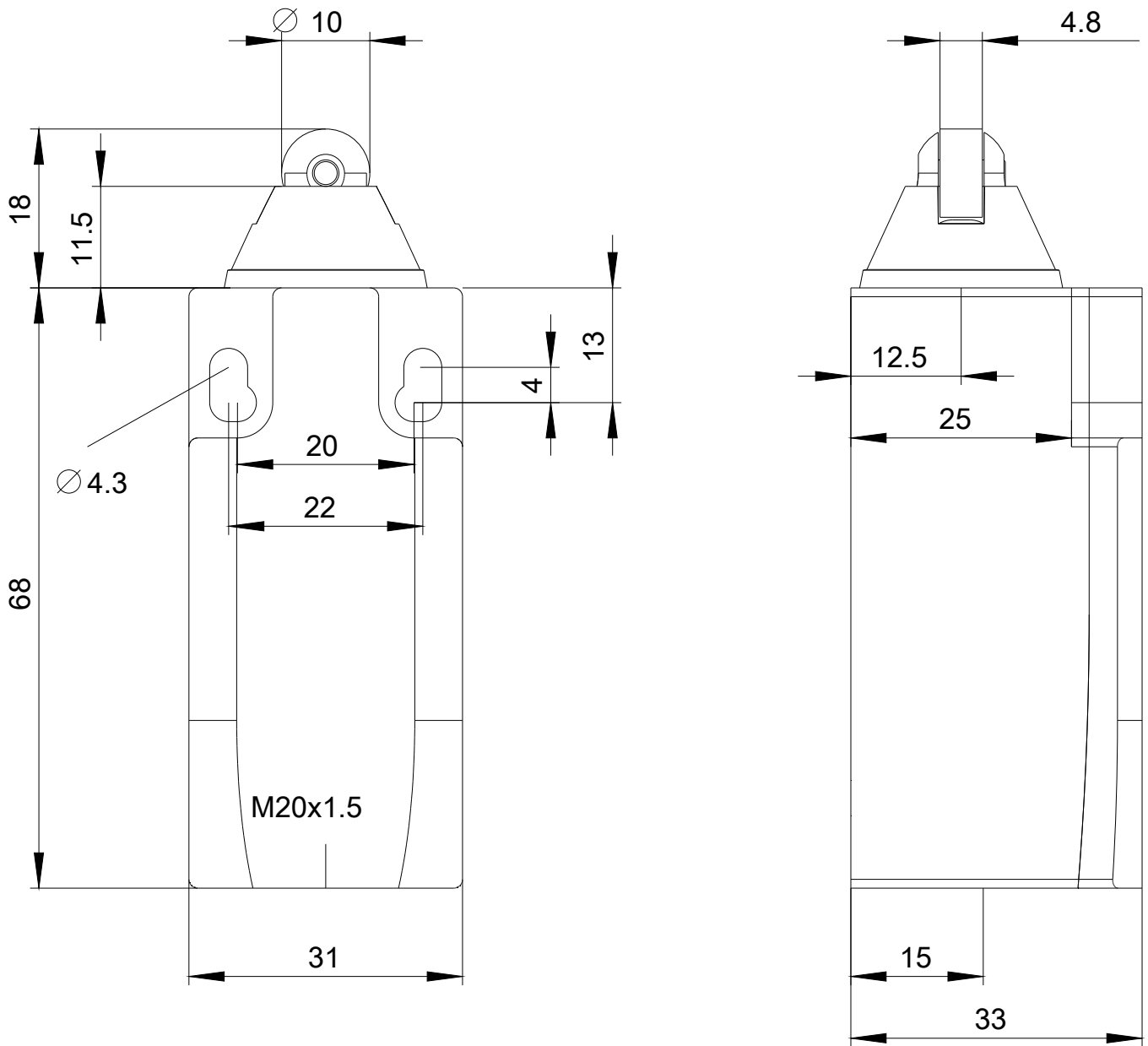
<http://support.automation.siemens.com/WW/CAXorder/default.aspx?lang=en&mlfb=3SE5232-0LD03>

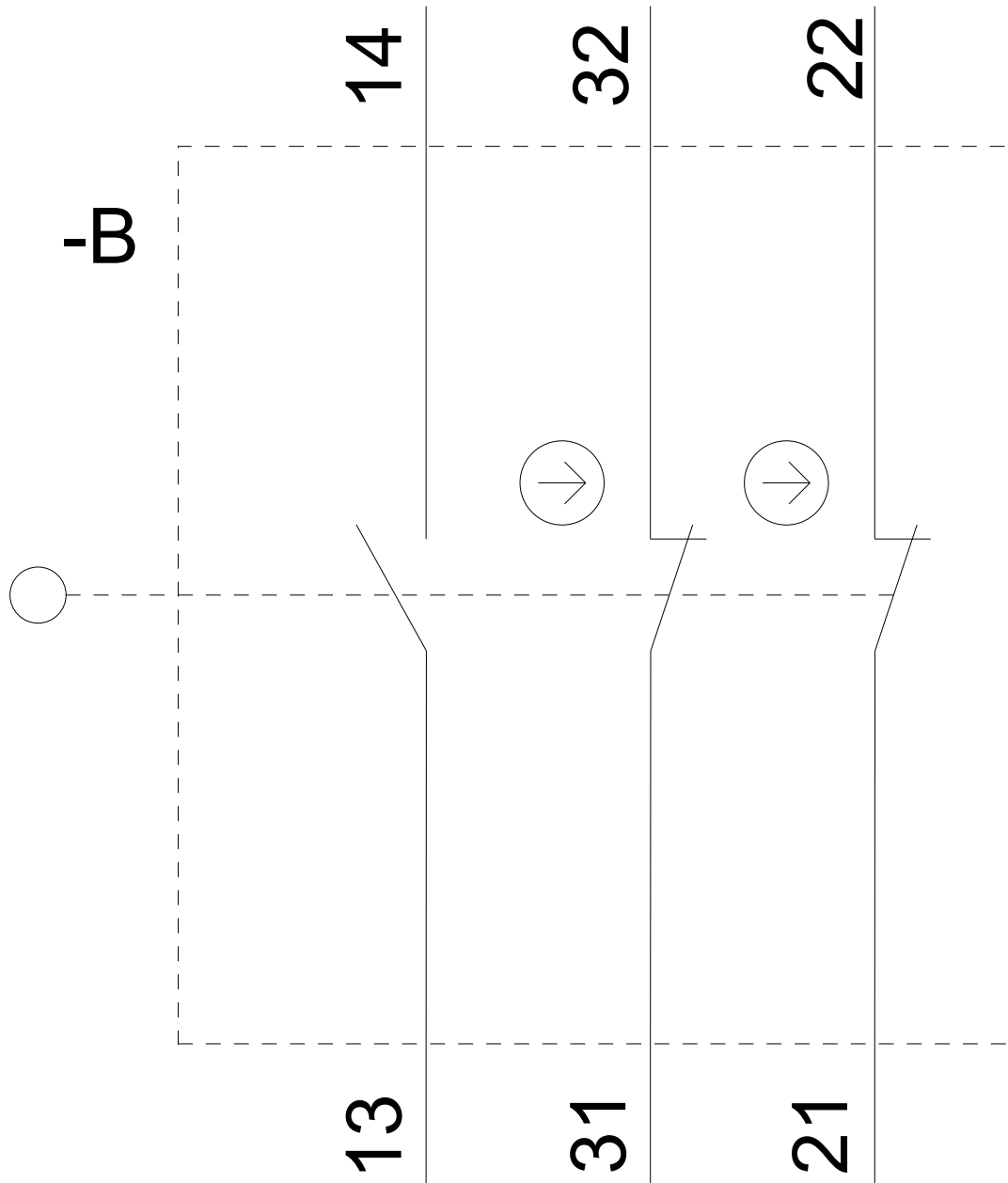
Service&Support (Manuals, Certificates, Characteristics, FAQs,...)

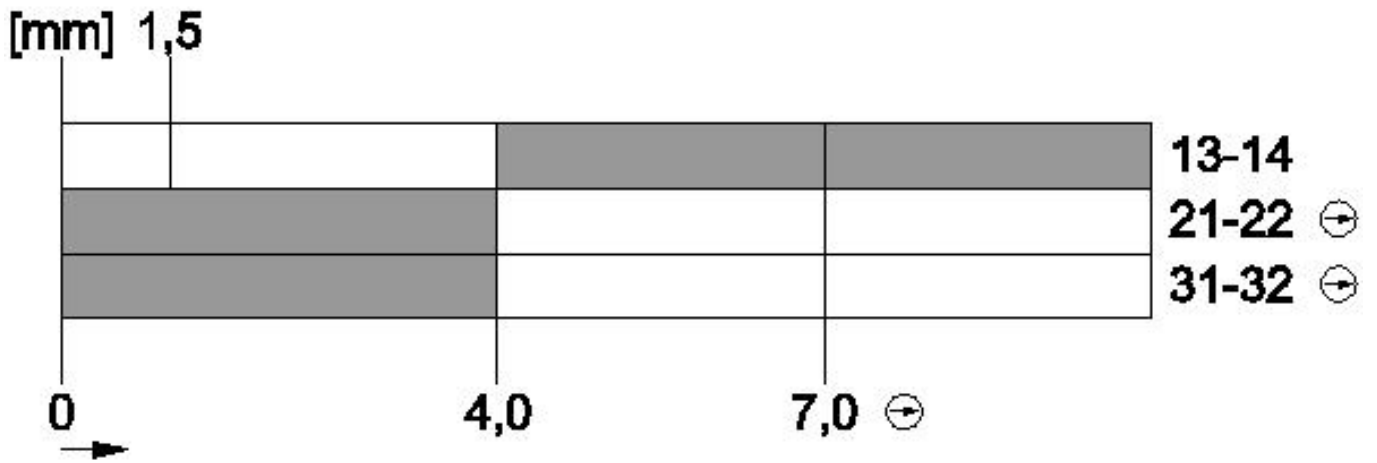
<https://support.industry.siemens.com/cs/ww/en/ps/3SE5232-0LD03>

Image database (product images, 2D dimension drawings, 3D models, device circuit diagrams, EPLAN macros, ...)

http://www.automation.siemens.com/bilddb/cax_de.aspx?mlfb=3SE5232-0LD03&lang=en







last modified:

09/24/2019