

Pushbutton, 22mm, round, metal, black, front ring, raised, solvent-resistant, with holder !!! Phased-out product !!! SIRIUS ACT 3SU1 is successor Preferred successor type is >>3SU1050-0CB10-0AA0 + 3SU1550-0AA10-0AA0<<



Figure similar

Design of the product	Single device round
Enclosure	
Number of command points	1
Actuator	
Design of the operating mechanism	Pushbutton
Manner of function of the actuating element	momentary contact type
Product extension optional Light source	No
Color	
• of the actuating element	black
Material of the actuating element	plastic
Shape of the actuating element	Flat pushbutton
Outer diameter of the actuating element	28.5 mm
Type of unlocking device	without
Number of switching positions	2
Front ring	
Product component front ring	Yes
Design of the front ring	High front ring, 13 mm

Material of the front ring	metal
Color of the front ring	silver

Holder

Material of the holder	Metal
------------------------	-------

General technical data

Product function	
• EMERGENCY OFF function	No
• EMERGENCY STOP function	No
Protection class IP	IP67
Operating frequency maximum	1 000 1/h
Mechanical service life (switching cycles)	
• typical	10 000 000
Reference code acc. to DIN 40719 extended according to IEC 204-2 acc. to IEC 750	S
Reference code acc. to DIN EN 81346-2	S
Reference code acc. to DIN EN 61346-2	S

Connections/Terminals

Tightening torque of the screws in the bracket	1.4 ... 1.6 N·m
---	-----------------

Ambient conditions

Ambient temperature	
• during operation	-25 ... +70 °C
• during storage	-40 ... +80 °C
Environmental category during operation acc. to IEC 60721	3K6

Installation/ mounting/ dimensions

• (mounting type)	front mounting
Shape of the installation opening	round
(mounting diameter)	22 mm
Mounting height	16 mm
Installation width	28.5 mm
Installation depth	29 mm

Certificates/approvals

General Product Approval	Declaration of Conformity	Marine / Shipping
--------------------------	---------------------------	-------------------



[Miscellaneous](#)



Marine / Shipping	other
-------------------	-------



[Confirmation](#)

[Environmental Con-
firmations](#)

[Miscellaneous](#)

Railway

[Special Test Certi-
ficate](#)

Further information

Information- and Downloadcenter (Catalogs, Brochures,...)

<http://www.siemens.com/industrial-controls/catalogs>

Industry Mall (Online ordering system)

<https://mall.industry.siemens.com/mall/en/en/Catalog/product?mlfb=3SB3500-0AA12>

Cax online generator

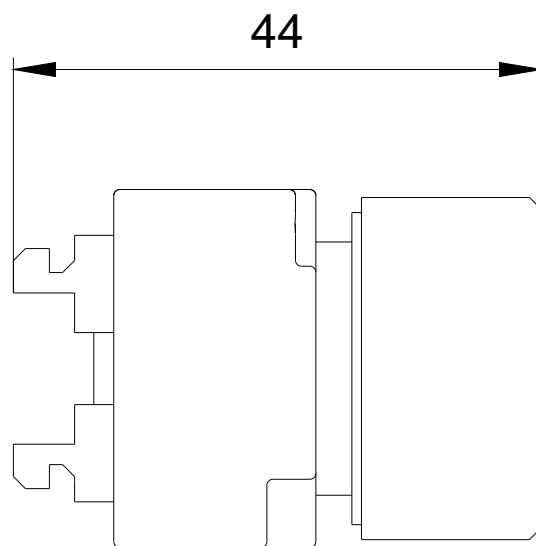
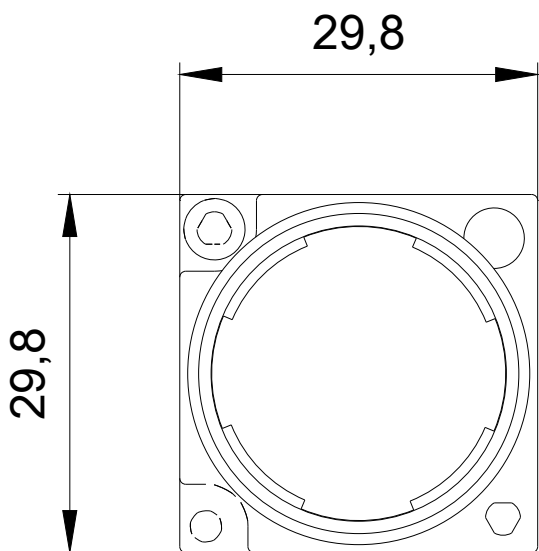
<http://support.automation.siemens.com/WW/CAXorder/default.aspx?lang=en&mlfb=3SB3500-0AA12>

Service&Support (Manuals, Certificates, Characteristics, FAQs,...)

<https://support.industry.siemens.com/cs/ww/en/ps/3SB3500-0AA12>

Image database (product images, 2D dimension drawings, 3D models, device circuit diagrams, EPLAN macros, ...)

http://www.automation.siemens.com/bilddb/cax_de.aspx?mlfb=3SB3500-0AA12&lang=en



last modified:

08/31/2019

\\W9.444
\\W8.875