

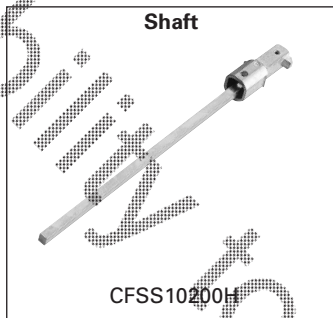
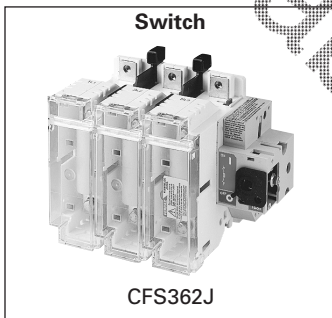
Disconnect Switches

Type CFS Compact Fusible UL98 Switches

Features and Ordering Information

Features

- 30–400A ratings
- UL Listed & CSA Certified
- IEC 60 947-3 Certified & CE marked
- Door mounted rotary handles with defeatable cover interlock
- Meets UL98 requirements and suitable for both main and branch circuit applications
- Compact size
- 50kA with Class CC fuses or up to 200kA with Class J fuses
- Load break and horsepower rated
- Quick make and break operation
- All handles are padlockable with up to (3) padlocks with 5/16" hasps in the OFF position
- Catalog numbers CFS361C5 & CFS361JS are both front and side operated with standard rotary handles
- Handles are available in Type 1, 3R, 4/4X & 12 ratings



Ordering Information

1. Select the panel mounted switch required based on Ampere, HP and AIC requirements.
2. Select handle based on environmental rating required.
3. Select operating shaft (200 or 400mm in length). For enclosure depths of 9.5" or less from panel mounting surface to inside of door use 200mm long shafts. For deeper enclosures use 400mm long shafts. 30A 50kA switches can be used in 10.5" deep enclosures (panel to inside of door) with 200mm shaft.
4. Line & load lugs are provided as standard on 30 & 60A switches. Terminal kits are available for 100–400A switches if needed.
5. Auxiliary contacts are available if needed as follows:
 - A. 30A, 50kA switch CFS361C5 will accept up to (4) aux contacts without an aux contact holder.
 - B. 30A, 50kA switch CFS361J5 will accept up to (2) aux contacts without an aux contact holder. If more than (2) aux contacts are required order aux contacts PLUS aux contact holder kit CFSAXXH1.
 - C. For all 100 or 200kA 30–400A switches order the aux contacts required PLUS aux contact holder kit CFSAXXH2.
6. If non-fusible switch is required order a shorting bar.
7. 30 & 60A switches are touch safe as standard. If this is required on 100–400A switches order terminal shroud kit.

Note: Be sure to check shaft and handle compatibility with the switch selected by using the information provided in the selection tables.

Disconnect Switches

Type CFS—Switches, Shafts and Handles

Selection

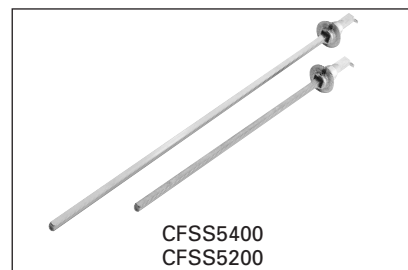
Fusible Switches, 3 Pole 600V AC Max, 250V DC Max®

Switch Ampere Rating	Catalog Number	List Price \$	Fuse Provisions Provided	Max Horsepower Ratings				AC Short Circuit Rating
				240V 3Ø AC	480V 3Ø AC	600V 3Ø AC	250V DC	
30°	CFS361C5		Class CC	7.5	15	20	5°	50kA
30°	CFS361J5		Class J	7.5	15	20	5°	50kA
30°	CFS361C		Class CC	7.5	15	20	5°	100kA
30°	CFS361J		Class J	7.5	15	20	5°	200kA
60°	CFS362J		Class J	15	30	50	10°	200kA
100°	CFS363J			30	60	75	20°	
200°	CFS364J			60	125	150	40°	
400°	CFS365J			125	250	350	50°	



Operating Shafts

Catalog Numbers	List Price \$	Shaft Length In. (mm)	Switch & Handle Compatibility
CFSS5200		7.9 (200)	5mm x 5mm for use with CFS361C5 & CFS361J5 switches & with "CFSH5" handles only
CFSS5400		15.7 (400)	
CFSS5200H		7.9 (200)	5mm x 5mm for use with all "CFSH10" handles & with CFS361C5 & CFS361J5 switches only
CFSS5400H		15.7 (400)	
CFSS10200H		7.9 (200)	10mm x 10mm for use with all "CFSH10" handles & with all switches except CFS361C5 & CFS361J5
CFSS10400H		15.7 (400)	



Rotary Operating Handles—Door Mounted
(for use with 50kA CFS361C5 & CFS361J5 switches only)

Type 1, 3R & 12°

Catalog Numbers	List Price \$	Color	Operating Shaft Compatibility
CFSH5B12		Black	CFSS5200 OR CFSS5400 (5mm x 5mm)
CFSH5BR12		Yellow & Red	



Rotary Operating Handles—Door Mounted
(for use with all operating shafts except CFSS5200 & CFSS5400 and with all CFS switches)

Catalog Numbers	List Price \$	Color	Description
-----------------	---------------	-------	-------------

Type 1, 3R & 12°

CFSH10B12		Black	Heavy duty pistol grip (3.78" long)
CFSH10R12		Yellow & Red	
CFSH10BL12		Black	Heavy duty pistol grip (6.00" long)
CFSH10RL12		Yellow & Red	

Type 1, 3R, 4/4X & 12°

CFSH10B4		Black	Heavy duty pistol grip (3.78" long)
CFSH10R4		Yellow & Red	
CFSH10BL4		Black	Heavy duty pistol grip (6.00" long)
CFSH10RL4		Yellow & Red	

① Line and load lugs included.

② Line and load lugs are not included. Order from table on next page if required.

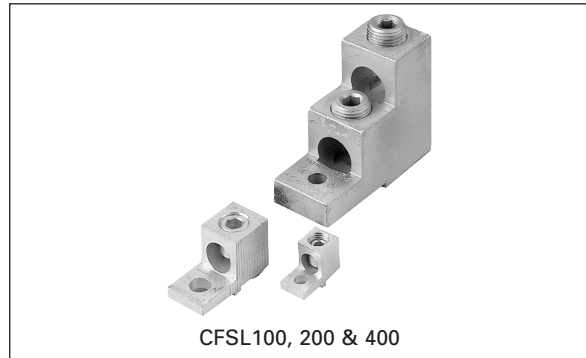
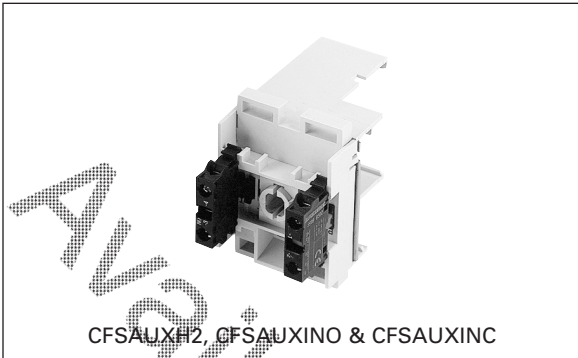
③ DC HP rating shown requires (2) poles to be connected in series.

④ DC HP rating shown requires (3) poles to be connected in series.

⑤ Catalog numbers CFS361C5 & CFS361J5 accept 5mm x 5mm operating shafts. All others accept 10mm x 10mm operating shafts.

⑥ Compact pistol grip design (3.25" long) with defeatable cover interlock.

⑦ Defeatable cover interlock provided.



Type CFS Fusible Switch Accessories

Catalog Numbers	List Price \$	Description
-----------------	---------------	-------------

Terminals[Ⓢ]

CFSL100		100A Lug Kit (6 lugs per kit)
CFSL200		200A Lug Kit (6 lugs per kit)
CFSL400		400A Lug Kit (6 lugs per kit)

Shorting Bars (no fuse kits)

CFSSB60		60A Shorting Bar Kit (3 links per kit)
CFSSB100		100A Shorting Bar Kit (3 links per kit)
CFSSB200		200A Shorting Bar Kit (3 links per kit)
CFSSB400		400A Shorting Bar Kit (3 links per kit)

Auxiliary Contacts[Ⓢ]

CFS AUX H1 [Ⓢ]		Aux Contact Holder (30A 50kA Sws)
CFS AUX H2 [Ⓢ]		Aux Contact Holder (30–400 100 & 200kA SWs)
CFS AUX INO [Ⓢ]		Aux Contact 1 NO (30–400A Sws)
CFS AUX INC [Ⓢ]		Aux Contact 1 NC (30–400A Sws)

Terminal Shrouds

CFSTS100		100A Shroud Kit
CFSTS200		200A Shroud Kit
CFSTS400		400A Shroud Kit

Padlock Kit (when door is open)[Ⓢ]

CFSPLK		Shaft Padlocking Kit for 30A Compact Switch
--------	--	---



Ⓢ Supplied as standard on 30 & 60A switches.

Ⓢ CFS361C5 will accept (4) aux contacts without an aux contact holder. CFS361J5 will accept (2) aux contacts without an aux contact. ON ALL OTHER SWITCHES CFS AUX H2 IS REQUIRED TO MOUNT AUX CONTACTS.

Ⓢ Supplied as standard on all but 30A compact switches.

Disconnect Switches

Type CFS—Dimensions and Technical characteristics

Selection

UL & CSA Technical Characteristics

Catalog Number	CFS361C5	CFS361J5	CFS361C	CFS361J	CFS362J	CFS363J	CFS364J	CFS3615J
Amp Rating	30	30	30	30	60	100	200	400
Max AC Volts	600	600	600	600	600	600	600	600
Electrical Endurance	6000	6000	6000	6000	6000	6000	6000	1000
Mechanical Endurance	10000	10000	10000	10000	10000	10000	8000	6000
Shaft Cross Section	5mm	5mm	10mm	10mm	10mm	10mm	10mm	10mm
Operating Torque (lb. In.)	21	21	53	88	88	88	106	132
Aux Contacts								
Nema Rating AC	A600	A600	A600	A600	A600	A600	A600	A600
Nema Rating DC	N600	N600	N600	N600	N600	N600	N600	N600

IEC Technical Characteristics

Catalog Number	CFS361C5	CFS361J5	CFS361C	CFS361J	CFS362J	CFS363J	CFS364J	CFS3615J
Rating Insulation Voltage Ui	800	800	750	750	750	750	750	800
Rated Impulse Voltage (Uimp)	8kV	8kV	8kV	8kV	8kV	8kV	8kV	8kV
Operational Current I _e								
400V AC (AC22A & AC23A)	32	32	32	32	63	100	200	400
690V AC (AC22A & AC23A)	32	32	32	32	63	100	200	400
Motor Power (kW)								
400V AC	15	15	15	15	30	51	100	220
500V AC	18.5	18.5	18.5	18.5	40	63	140	220
690V AC	25	25	25	25	55	90	185	220
Max Peak (kA peak) let through current	5.5	5.5	7.6	17.6	17.6	22	32	36
Cu cable size (mm ²)	6	6	6	6	10	25	50	185

Wire Ranges Line & Load Lugs

Switch Ampere Rating	UL Approved Wire Size (75°C)	Mechanical Wire Range of Lug (75°C)
30	#10 Cu	#14–10 Cu
60	#6 Cu	#10–3 Cu
100	#3 Cu	#14–2/0 Cu/Al
200	#3/0 Cu	#6–3/0 Cu/Al
400	(2) 300 kcmil Al or (2) 4/0 Cu	(2)#2–600 kcmil Cu/Al

Panel Space Requirements

Catalog Number	Ampere Rating	Dimensions Inches (mm)		
		Height	Width	Depth [Ⓞ]
CFS361C5	30	4.56 (116)	3.78 (96)	6.00 (152)
CFS361J5	30	4.56 (116)	4.15 (105)	6.00 (152)
CFS361C	30	5.88 (149)	5.62 (143)	7.00 (178)
CFS361J	30	5.88 (149)	6.75 (171)	7.00 (178)
CFS362J	60	5.88 (149)	6.75 (171)	7.00 (178)
CFS363J	100	7.19 (183)	8.25 (210)	7.00 (178)
CFS364J	200	9.13 (206)	9.44 (240)	8.00 (203)
CFS365J	400	14.94 (363)	11.94 (303)	8.00 (203)

Ⓞ Minimum dimension from mounting surface to inside of cover. Dimensions shown can be decreased if aux contacts are not required.