

**ADVANCED COMMUNICATIONS & SENSING DATASHEET**

**GENERAL DESCRIPTION**

The SX8645 is an ultra low power, fully integrated 12-channel solution for capacitive touch-buttons and wheel applications. Unlike many capacitive touch solutions, the SX8645 features dedicated capacitive sense inputs (that requires no external components) in addition to 8 general purpose I/O ports (GPIO). Each GPIO is typically configured as LED driver with independent PWM source for enhanced lighting control such as intensity and fading.

The SX8645 includes a capacitive 10 bit ADC analog interface with automatic compensation up to 100pF. The high resolution capacitive sensing supports a wide variety of touch pad sizes and shapes and allows capacitive buttons to be created using thick overlay materials (up to 5mm) for an extremely robust and ESD immune system design.

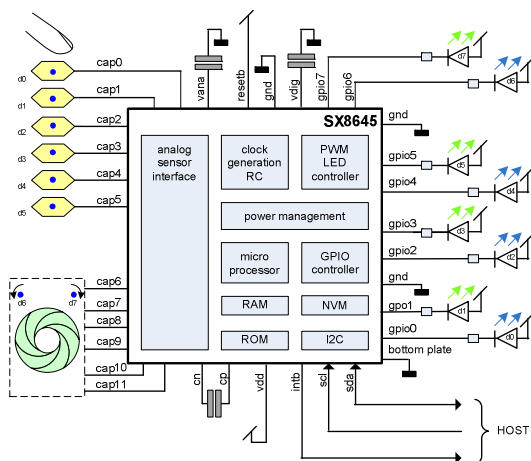
The SX8645 incorporates a versatile firmware that was specially designed to simplify capacitive touch solution design and offers reduced time-to-market. Integrated multi-time programmable memory provides the ultimate flexibility to modify key firmware parameters (gain, threshold, scan period, auto offset compensation... ) in the field without the need for new firmware development.

The SX8645 supports the 400 kHz I<sup>2</sup>C serial bus data protocol and includes a field programmable slave address. The tiny 5mm x 5mm footprint makes it an ideal solution for portable, battery powered applications where power and density are at a premium.

**KEY PRODUCT FEATURES**

- ◆ Complete Twelve Sensors Capacitive Touch Controller for Buttons and Wheel
  - Pre-configured for 6 Buttons and a Wheel
  - 8 LED Drivers with Individual Intensity, Fading Control and Autolight Mode
  - 256 steps PWM Linear and Logarithmic control
- ◆ High Resolution Capacitive Sensing
  - Up to 100pF of Offset Capacitance Compensation at Full Sensitivity
  - Capable of Sensing through Overlay Materials up to 5mm thick
- ◆ Extremely Low Power Optimized for Portable Application
  - 8uA (typ) in Sleep Mode
  - 80uA (typ) in Doze Mode (Scanning Period 195ms)
  - 220uA (typ) in Active Mode (Scanning Period 30ms)
- ◆ Programmable Scanning Period from 15ms to 1500ms
- ◆ Auto Offset Compensation
  - Eliminates False Triggers due to Environmental Factors (Temperature, Humidity)
  - Initiated on Power-up and Configurable Intervals
- ◆ Multi-Time In-Field Programmable Firmware Parameters for Ultimate Flexibility
  - On-chip user programmable memory for fast, self contained start-up
- ◆ "Smart" Wake-up Sequence for Easy Activation from Doze
- ◆ No External Components per Sensor Input
- ◆ Internal Clock Requires No External Components
- ◆ Differential Sensor Sampling for Reduced EMI
- ◆ 400 KHz Fast-Mode I<sup>2</sup>C Interface with Interrupt
- ◆ -40°C to +85°C Operation

**TYPICAL APPLICATION CIRCUIT**



**APPLICATIONS**

- ◆ Notebook/Netbook/Portable/Handheld computers
- ◆ Cell phones, PDAs
- ◆ Consumer Products, Instrumentation, Automotive
- ◆ Mechanical Button Replacement

**ORDERING INFORMATION**

| Part Number                  | Temperature Range | Package            |
|------------------------------|-------------------|--------------------|
| SX8645I05AWLTRT <sup>1</sup> | -40°C to +85°C    | Lead Free MLPQ-W32 |

<sup>1</sup> 3000 Units/reel

\* This device is RoHS/WEEE compliant and Halogen Free

## Table of Contents

|   |           |
|---|-----------|
| GENERAL DESCRIPTION.....                  | 1         |
| TYPICAL APPLICATION CIRCUIT .....         | 1         |
| KEY PRODUCT FEATURES.....                 | 1         |
| APPLICATIONS.....                         | 1         |
| ORDERING INFORMATION.....                 | 1         |
| <b>1 GENERAL DESCRIPTION.....</b>         | <b>4</b>  |
| 1.1 Pin Diagram                           | 4         |
| 1.2 Marking information                   | 4         |
| 1.3 Pin Description                       | 5         |
| 1.4 Simplified Block Diagram              | 6         |
| 1.5 Acronyms                              | 6         |
| <b>2 ELECTRICAL CHARACTERISTICS .....</b> | <b>7</b>  |
| 2.1 Absolute Maximum Ratings              | 7         |
| 2.2 Recommended Operating Conditions      | 7         |
| 2.3 Thermal Characteristics               | 7         |
| 2.4 Electrical Specifications             | 8         |
| <b>3 FUNCTIONAL DESCRIPTION.....</b>      | <b>10</b> |
| 3.1 Quickstart Application                | 10        |
| 3.2 Introduction                          | 10        |
| 3.2.1 General                             | 10        |
| 3.2.2 GPIOs                               | 11        |
| 3.2.3 Parameters                          | 11        |
| 3.2.4 Configuration                       | 11        |
| 3.3 Scan Period                           | 12        |
| 3.4 Operation modes                       | 12        |
| 3.5 Sensors on the PCB                    | 14        |
| 3.6 Button and Wheel Information          | 15        |
| 3.6.1 Button Information                  | 15        |
| 3.6.2 Wheel Information                   | 15        |
| 3.7 Analog Sensing Interface              | 17        |
| 3.8 Offset Compensation                   | 18        |
| 3.9 Processing                            | 19        |
| 3.10 Configuration                        | 19        |
| 3.11 Power Management                     | 21        |
| 3.12 Clock Circuitry                      | 21        |
| 3.13 I2C interface                        | 21        |
| 3.14 Reset                                | 22        |
| 3.14.1 Power up                           | 22        |
| 3.14.2 RESETB                             | 22        |
| 3.14.3 Software Reset                     | 23        |
| 3.15 Interrupt                            | 24        |
| 3.15.1 Power up                           | 24        |
| 3.15.2 Assertion                          | 24        |
| 3.15.3 Clearing                           | 24        |

|             |  |           |
|-------------|--|-----------|
| 3.15.4      | Example  | 25        |
| <b>3.16</b> | <b>General Purpose Input and Outputs</b>         | <b>25</b> |
| 3.16.1      | Introduction and Definitions                     | 25        |
| 3.16.2      | GPI  | 26        |
| 3.16.3      | GPP  | 26        |
| 3.16.4      | GPO  | 27        |
| 3.16.5      | Intensity index vs PWM pulse width               | 30        |
| <b>3.17</b> | <b>Smart Wake Up</b>                             | <b>31</b> |
| <b>4</b>    | <b>PIN DESCRIPTIONS .....</b>                    | <b>32</b> |
| 4.1         | Introduction                                     | 32        |
| 4.2         | ASI pins   | 32        |
| 4.3         | Host interface pins                              | 33        |
| 4.4         | Power management pins                            | 36        |
| 4.5         | General purpose IO pins                          | 37        |
| <b>5</b>    | <b>DETAILED CONFIGURATION DESCRIPTIONS .....</b> | <b>38</b> |
| 5.1         | Introduction                                     | 38        |
| 5.2         | General Parameters                               | 41        |
| 5.3         | Capacitive Sensors Parameters                    | 42        |
| 5.4         | Button Parameters                                | 47        |
| 5.5         | Wheel Parameters                                 | 51        |
| 5.6         | Mapping Parameters                               | 55        |
| 5.7         | GPIO Parameters                                  | 58        |
| <b>6</b>    | <b>I2C INTERFACE.....</b>                        | <b>62</b> |
| 6.1         | I2C Write  | 62        |
| 6.2         | I2C read   | 63        |
| 6.3         | I2C Registers Overview                           | 64        |
| 6.4         | Status Registers                                 | 65        |
| 6.5         | Control Registers                                | 68        |
| 6.6         | SPM Gateway Registers                            | 70        |
| 6.6.1       | SPM Write Sequence                               | 71        |
| 6.6.2       | SPM Read Sequence                                | 72        |
| 6.7         | NVM burn   | 73        |
| <b>7</b>    | <b>APPLICATION INFORMATION.....</b>              | <b>74</b> |
| <b>8</b>    | <b>PACKAGING INFORMATION .....</b>               | <b>75</b> |
| 8.1         | Package Outline Drawing                          | 75        |
| 8.2         | Land Pattern                                     | 75        |

**1 GENERAL DESCRIPTION**

**1.1 Pin Diagram**

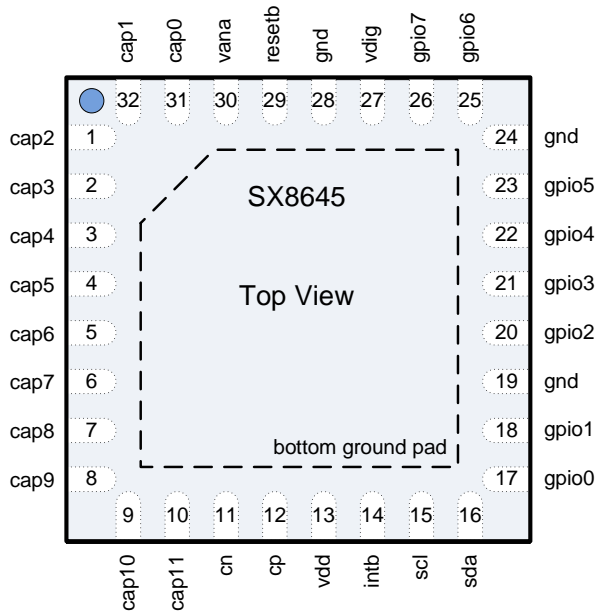
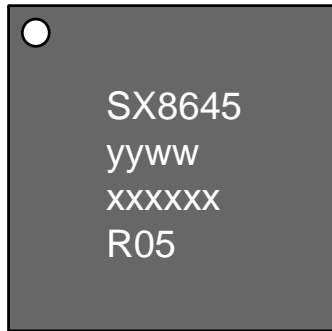


Figure 1 Pinout Diagram

**1.2 Marking information**



yyww = Date Code  
 xxxxxx = Semtech lot number  
 R05 = Semtech Code

Figure 2 Marking Information

### 1.3 Pin Description

| Number       | Name   | Type                 | Description  |
|--------------|--------|----------------------|--|
| 1            | CAP2   | Analog               | Capacitive Sensor 2  |
| 2            | CAP3   | Analog               | Capacitive Sensor 3  |
| 3            | CAP4   | Analog               | Capacitive Sensor 4  |
| 4            | CAP5   | Analog               | Capacitive Sensor 5  |
| 5            | CAP6   | Analog               | Capacitive Sensor 6  |
| 6            | CAP7   | Analog               | Capacitive Sensor 7  |
| 7            | CAP8   | Analog               | Capacitive Sensor 8  |
| 8            | CAP9   | Analog               | Capacitive Sensor 9  |
| 9            | CAP10  | Analog               | Capacitive Sensor 10   |
| 10           | CAP11  | Analog               | Capacitive Sensor 11   |
| 11           | CN     | Analog               | Integration Capacitor, negative terminal (1nF between CN and CP)       |
| 12           | CP     | Analog               | Integration Capacitor, positive terminal (1nF between CN and CP)       |
| 13           | VDD    | Power                | Main input power supply  |
| 14           | INTB   | Digital Output       | Interrupt, active LOW, requires pull up resistor (on host or external) |
| 15           | SCL    | Digital Input        | I2C Clock, requires pull up resistor (on host or external)             |
| 16           | SDA    | Digital Input/Output | I2C Data, requires pull up resistor (on host or external)              |
| 17           | GPIO0  | Digital Input/Output | General Purpose Input/Output 0   |
| 18           | GPIO1  | Digital Input/Output | General Purpose Input/Output 1   |
| 19           | GND    | Ground               | Ground   |
| 20           | GPIO2  | Digital Input/Output | General Purpose Input/Output 2   |
| 21           | GPIO3  | Digital Input/Output | General Purpose Input/Output 3   |
| 22           | GPIO4  | Digital Input/Output | General Purpose Input/Output 4   |
| 23           | GPIO5  | Digital Input/Output | General Purpose Input/Output 5   |
| 24           | GND    | Ground               | Ground   |
| 25           | GPIO6  | Digital Input/Output | General Purpose Input/Output 6   |
| 26           | GPIO7  | Digital Input/Output | General Purpose Input/Output 7   |
| 27           | VDIG   | Analog               | Digital Core Decoupling, connect to a 100nF decoupling capacitor       |
| 28           | GND    | Ground               | Ground   |
| 29           | RESETB | Digital Input        | Active Low Reset. Connect to VDD if not used.                          |
| 30           | VANA   | Analog               | Analog Core Decoupling, connect to a 100nF decoupling capacitor        |
| 31           | CAP0   | Analog               | Capacitive Sensor 0  |
| 32           | CAP1   | Analog               | Capacitive Sensor 1  |
| bottom plate | GND    | Ground               | Exposed pad connect to ground  |

Table 1 Pin description

### 1.4 Simplified Block Diagram

The simplified block diagram of the SX8645 is illustrated in Figure 3.

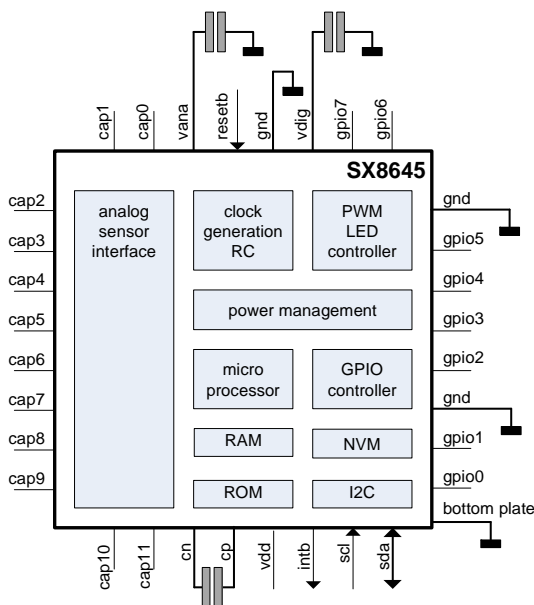


Figure 3 Simplified block diagram of the SX8645

### 1.5 Acronyms

|     |                            |
|-----|----------------------------|
| ASI | Analog Sensor Interface    |
| DCV | Digital Compensation Value |
| GPI | General Purpose Input      |
| GPO | General Purpose Output     |
| GPP | General Purpose PWM        |
| MTP | Multiple Time Programmable |
| NVM | Non Volatile Memory        |
| PWM | Pulse Width Modulation     |
| QSM | Quick Start Memory         |
| SPM | Shadow Parameter Memory    |

## 2 ELECTRICAL CHARACTERISTICS

### 2.1 Absolute Maximum Ratings

Stresses above the values listed in “Absolute Maximum Ratings” may cause permanent damage to the device.

This is a stress rating only and functional operation of the device at these, or any other conditions beyond the “Recommended Operating Conditions”, is not implied. Exposure to absolute maximum rating conditions for extended periods may affect device reliability.

| Parameter                                 | Symbol             | Min.  | Max. | Unit |
|---|--------------------|-------|------|------|
| Supply Voltage                            | VDD                | -0.5  | 3.9  | V    |
| Input voltage (non-supply pins)           | V <sub>IN</sub>    | -0.5  | 3.9  | V    |
| Input current (non-supply pins)           | I <sub>IN</sub>    |       | 10   | mA   |
| Operating Junction Temperature            | T <sub>JCT</sub>   |       | 125  | °C   |
| Reflow temperature                        | T <sub>RE</sub>    |       | 260  | °C   |
| Storage temperature                       | T <sub>STOR</sub>  | -50   | 150  | °C   |
| ESD HBM (Human Body model) <sup>(i)</sup> | ESD <sub>HBM</sub> | 3     |      | kV   |
| Latchup <sup>(ii)</sup>                   | I <sub>LU</sub>    | ± 100 |      | mA   |

Table 2 Absolute Maximum Ratings

(i) Tested to JEDEC standard JESD22-A114

(ii) Tested to JEDEC standard JESD78

### 2.2 Recommended Operating Conditions

| Parameter                                   | Symbol              | Min. | Max. | Unit |
|---|---------------------|------|------|------|
| Supply Voltage                              | VDD                 | 2.7V | 3.6  | V    |
| Supply Voltage Drop <sup>(iii, iv, v)</sup> | VDD <sub>drop</sub> |      | 100  | mV   |
| Supply Voltage for NVM programming          | VDD                 | 3.0V | 3.6  | V    |
| Ambient Temperature Range                   | T <sub>A</sub>      | -40  | 85   | °C   |

Table 3 Recommended Operating Conditions

(iii) Performance for 2.6V < VDD < 2.7V might be degraded.

(iv) Operation is not guaranteed below 2.6V. Should VDD briefly drop below this minimum value, then the SX8645 may require;

- a hardware reset issued by the host using the RESETB pin
- a software reset issued by the host using the I2C interface

(v) In the event the host processor is reset or undergoes a power OFF/ON cycle, it is recommended that the host also resets the SX8645 and assures that parameters are re-written into the SPM (should these differ to the parameters held in NVM).

### 2.3 Thermal Characteristics

| Parameter  | Symbol          | Min. | Max. | Unit |
|--|-----------------|------|------|------|
| Thermal Resistance - Junction to Ambient <sup>(vi)</sup> | θ <sub>JA</sub> |      | 25   | °C/W |

Table 4 Thermal Characteristics

(vi) Static airflow

## 2.4 Electrical Specifications

All values are valid within the operating conditions unless otherwise specified.

| Parameter                                   | Symbol          | Conditions   | Min.               | Typ. | Max.            | Unit       |
|---|-----------------|--|--------------------|------|-----------------|------------|
| <b>Current consumption</b>                  |                 |  |                    |      |                 |            |
| Active mode, average                        | $I_{OP,active}$ | 30ms scan period,<br>12 sensors enabled,<br>minimum sensitivity  |                    | 220  | 300             | uA         |
| Doze mode, average                          | $I_{OP,Doze}$   | 195ms scan period,<br>12 sensors enabled,<br>minimum sensitivity |                    | 80   | 110             | uA         |
| Sleep                                       | $I_{OP,sleep}$  | I2C and GPI listening,<br>sensors disabled                       |                    | 8    | 17              | uA         |
| <b>GPIO, set as Input, RESETB, SCL, SDA</b> |                 |  |                    |      |                 |            |
| Input logic high                            | $V_{IH}$        |  | $0.7 \cdot V_{DD}$ |      | $V_{DD} + 0.3V$ | V          |
| Input logic low                             | $V_{IL}$        | VSS applied to GND pins  | $V_{SS} - 0.3V$    |      | 0.8             | V          |
| Input leakage current                       | $I_I$           | CMOS input   |                    |      | $\pm 1$         | uA         |
| Pull up resistor                            | $R_{PU}$        | when enabled   |                    | 660  |                 | k $\Omega$ |
| Pull down resistor                          | $R_{PD}$        | when enabled   |                    | 660  |                 | k $\Omega$ |
| <b>GPIO set as Output, INTB, SDA</b>        |                 |  |                    |      |                 |            |
| Output logic high                           | $V_{OH}$        | $I_{OH} < 4mA$   | $V_{DD} - 0.4$     |      |                 | V          |
| Output logic low                            | $V_{OL}$        | $I_{OL,GPIO} < 12mA$<br>$I_{OL,SDA,INTB} < 4mA$                  |                    |      | 0.4             | V          |
| <b>Start-up</b>                             |                 |  |                    |      |                 |            |
| Power up time                               | $t_{por}$       | time between rising edge<br>VDD and rising INTB                  |                    |      | 150             | ms         |
| <b>RESETB</b>                               |                 |  |                    |      |                 |            |
| Pulse width                                 | $t_{res}$       |  | 50                 |      |                 | ns         |
| <b>External components</b>                  |                 |  |                    |      |                 |            |
| Capacitor between VDIG, GND                 | $C_{vdig}$      | type 0402, tolerance +/-50%                                      |                    | 100  |                 | nF         |
| Capacitor between VANA, GND                 | $C_{vana}$      | type 0402, tolerance +/-50%                                      |                    | 100  |                 | nF         |
| Capacitor between CP, CN                    | $C_{int}$       | type 0402, tolerance +/-10%                                      |                    | 1    |                 | nF         |
| Capacitor between VDD, GND                  | $C_{vdd}$       | type 0402, tolerance +/-50%                                      |                    | 100  |                 | nF         |

Table 5 Electrical Specifications



| Parameter                                       | Symbol       | Conditions | Min. | Typ. | Max. | Unit |
|---|--------------|------------|------|------|------|------|
| <b>I2C Timing Specifications <sup>(i)</sup></b> |              |            |      |      |      |      |
| SCL clock frequency                             | $f_{SCL}$    |            |      |      | 400  | KHz  |
| SCL low period                                  | $t_{LOW}$    |            | 1.3  |      |      | us   |
| SCL high period                                 | $t_{HIGH}$   |            | 0.6  |      |      | us   |
| Data setup time                                 | $t_{SU,DAT}$ |            | 100  |      |      | ns   |
| Data hold time                                  | $t_{HD,DAT}$ |            | 0    |      |      | ns   |
| Repeated start setup time                       | $t_{SU,STA}$ |            | 0.6  |      |      | us   |
| Start condition hold time                       | $t_{HD,STA}$ |            | 0.6  |      |      | us   |
| Stop condition setup time                       | $t_{SU,STO}$ |            | 0.6  |      |      | us   |
| Bus free time between stop and start            | $t_{BUF}$    |            | 500  |      |      | us   |
| Input glitch suppression                        | $t_{SP}$     |            |      |      | 50   | ns   |

Table 6 I2C Timing Specification

**Notes:**

(i) All timing specifications, Figure 4 and Figure 5, refer to voltage levels ( $V_{IL}$ ,  $V_{IH}$ ,  $V_{OL}$ ) defined in Table 5.

The interface complies with slave F/S mode as described by NXP: "I2C-bus specification, Rev. 03 - 19 June 2007"

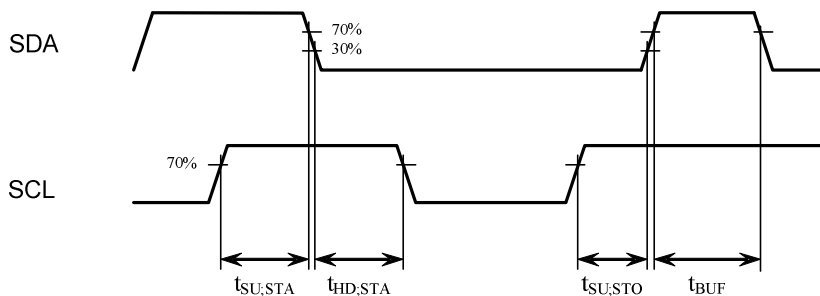


Figure 4 I2C Start and Stop timing

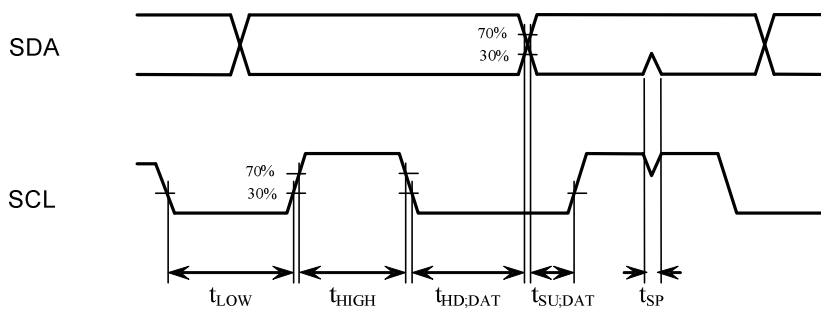


Figure 5 I2C Data timing

### 3 FUNCTIONAL DESCRIPTION

#### 3.1 Quickstart Application

The SX8645 is preconfigured (Quickstart Application) for an application with 6 buttons, a wheel (consisting of 6 sensors) and 8 LED drivers using logarithmic PWM fading.

Implementing a schematic based on Figure 6 will be immediately operational after powering without programming the SX8645 (even without host).

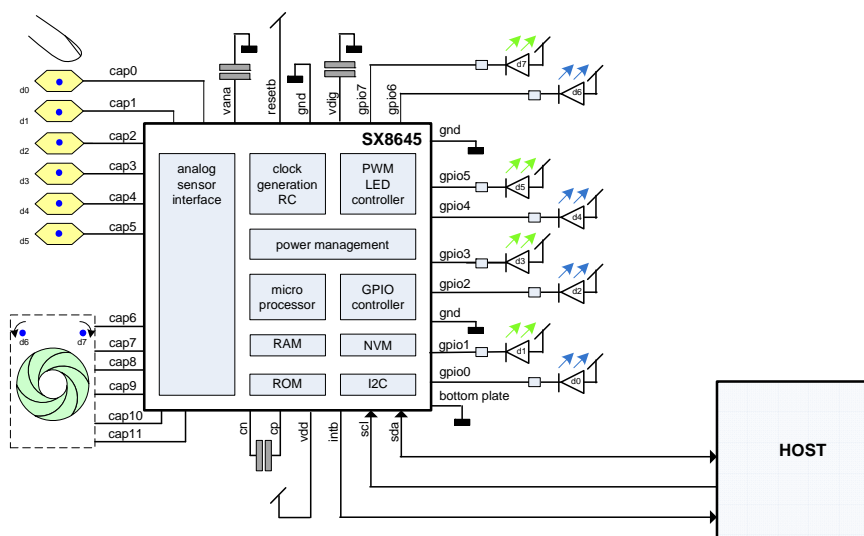


Figure 6 Quickstart Application

Touching the sensor on the CAP0 pin will enable automatically the LED connected to GPIO0. When the CAP0 sensor is released the LED on GPIO0 will slowly fade-out using smooth logarithmic fading.

All other sensors (CAP1 to CAP5) have their own LED associated on a GPIO pin showing a touch or a release.

The sensors on CAP6 to CAP11 are used in a wheel configuration. A moving finger on the wheel will enable the LED on GPIO6 or GPIO7 indicating the finger rotation direction.

The sensor detection and the LED fading described above are operational without any host interaction.

This is made possible using the SX8645 Autolight feature described in the following sections.

#### 3.2 Introduction

##### 3.2.1 General

The SX8645 is intended to be used in applications which require capacitive sensors covered by isolating overlay material. A finger approaching the capacitive sensors will change the charge that can be loaded on the sensors. The SX8645 measures the change of charge and converts that into digital values (ticks). The larger the charge on the sensors, the larger the number of ticks will be. The charge to ticks conversion is done by the SX8645 Analog Sensor Interface (ASI).

The ticks are further processed by the SX8645 and converted in a high level, easy to use information for the user's host.

The information between SX8645 and the user's host is passed through the I2C interface with an additional interrupt signal indicating that the SX8645 has new information. For buttons this information is simply touched or released.

### 3.2.2 GPIOs

A second path of feedback to the user is using General Purpose Input Output (GPIO) pins. The SX8645 offers eight individual configurable GPIO pins. The GPIO can e.g. be set as a LED driver which slowly fade-in when a finger touches a button and slowly fade-out when the button is released. Fading intensity variations can be logarithmic or linear. Interval speed and initial and final light intensity can be selected by the user. The fading is done using a 256 steps PWM. The SX8645 has eight individual PWM generators, one for each GPIO pin.

The LED fading can be initiated automatically by the SX8645 by setting the SX8645 Autolight feature. A simple touch on a sensor and the corresponding LED will fade-in without any host interaction over the I2C.

In case the Autolight feature is disabled then the host will decide to start a LED fading-in period, simply by setting the GPO pin to 'high' using one I2C command. The SX8645 will then slowly fade-in the LED using the PWM autonomously.

In case the host needs to have full control of the LED intensity then the host can set the GPIO in GPP mode. The host is then able to set the PWM pulse width freely at the expense of an increased I2C occupation.

The GPIOs can be set further in the digital standard Input mode (GPI).

### 3.2.3 Parameters

The SX8645 has many low level built-in, fixed algorithms and procedures. To allow a lot of freedom for the user and adapt the SX8645 for different applications these algorithms and procedures can be configured with a large set of parameters which will be described in the following sections. Examples of parameters are which sensors are buttons or which sensors are parts of a wheel, which GPIO is used for outputs or LEDs and which GPIO is mapped to which button.

Sensitivity and detection thresholds of the sensors are part of these parameters. Assuming that overlay material and sensors areas are identical then the sensitivities and thresholds will be the same for each sensor. In case sensors are not of the same size then sensitivities or thresholds might be chosen individually per sensor.

So a smaller size sensor can have a larger sensitivity while a big size sensor may have the lower sensitivity.

### 3.2.4 Configuration

During a development phase the parameters can be determined and fine tuned by the users and downloaded over the I2C in a dynamic way. The parameter set can be downloaded over the I2C by the host each time the SX8645 boots up. This allows a flexible way of setting the parameters at the expense of I2C occupation.

In case the parameters are frozen they can be programmed in Multiple Time Programmable (MTP) Non Volatile Memory (NVM) on the SX8645. The programming needs to be done once (over the I2C). The SX8645 will then boot up from the NVM and additional parameters from the host are not required anymore.

In case the host desires to overwrite the boot-up NVM parameters (partly or even complete) this can be done by additional I2C communications.

### 3.3 Scan Period

The basic operation Scan period of the SX8645 sensing interface can be split into three periods over time.

In the first period (Sensing) the SX8645 is sensing all enabled CAP inputs, from CAP0 towards CAP11.

In the second period (Processing) the SX8645 processes the sensor data, verifies and updates the GPIO and I2C status registers.

In the third period (Timer) the SX8645 is set in a low power mode and waits until a new cycle starts.

Figure 7 shows the different SX8645 periods over time.

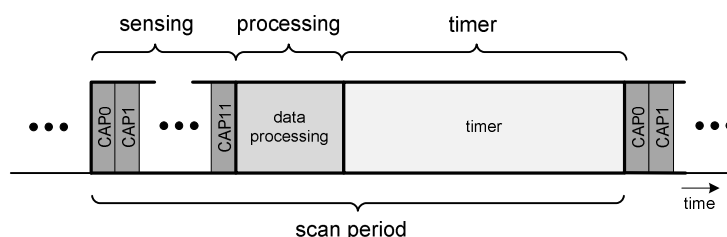


Figure 7 Scan Period

The scan period determines the minimum reaction time of the SX8645. The scan period can be configured by the host from 15ms to values larger than a second.

The reaction time is defined as the interval between a touch on the sensor and the moment that the SX8645 generates the interrupt on the INTB pin. The shorter the scan period the faster the reaction time will be.

Very low power consumption can be obtained by setting very long scan periods with the expense of having longer reaction times.

**Important:** All external events like GPIO, I2C and INTB are updated in the processing period, so once every scan period. If e.g. a GPI would change state directly after the processing period then this will be reported with a delay of one scan period later in time.

### 3.4 Operation modes

The SX8645 has 3 operation modes. The main difference is found in the reaction time (corresponding to the scan period) and power consumption.

Active mode offers fast scan periods. The typical reaction time is 30ms. All enabled sensors are scanned and information data is processed within this interval.

Doze mode increases the scan period time which increases the reaction time to 195ms typical and at the same time reduces the operating current.

Sleep mode turns the SX8645 OFF, except for the I2C and GPI peripheral, minimizing operating current while maintaining the power supplies. In Sleep mode the SX8645 does not do any sensor scanning.

The user can specify other scan periods for the Active and Doze mode and decide for other compromises between reaction time and power consumption.

In most applications the reaction time needs to be fast when fingers are present, but can be slow when no person uses the application. In case the SX8645 is not used for a specific time it can go from Active mode into Doze mode and power will be saved. This time-out is determined by the Passive Timer which can be configured by the user or turned OFF if not required.

**ADVANCED COMMUNICATIONS & SENSING DATASHEET**

To leave Doze mode and enter Active mode this can be done by a simple touch on any button. For some applications a single button touch might cause undesired waking up and Active mode would be entered too often.

The SX8645 offers therefore a smart wake-up sequence feature in which the user needs to touch and release a correct sequence of buttons before Active mode will be entered. This is explained in more detail in the Wake-Up Sequence section.

The host can decide to force the operating mode by issuing commands over the I2C (using register CompOpMode) and take fully control of the SX8645.

The diagram in Figure 8 shows the available operation modes and the possible transitions.

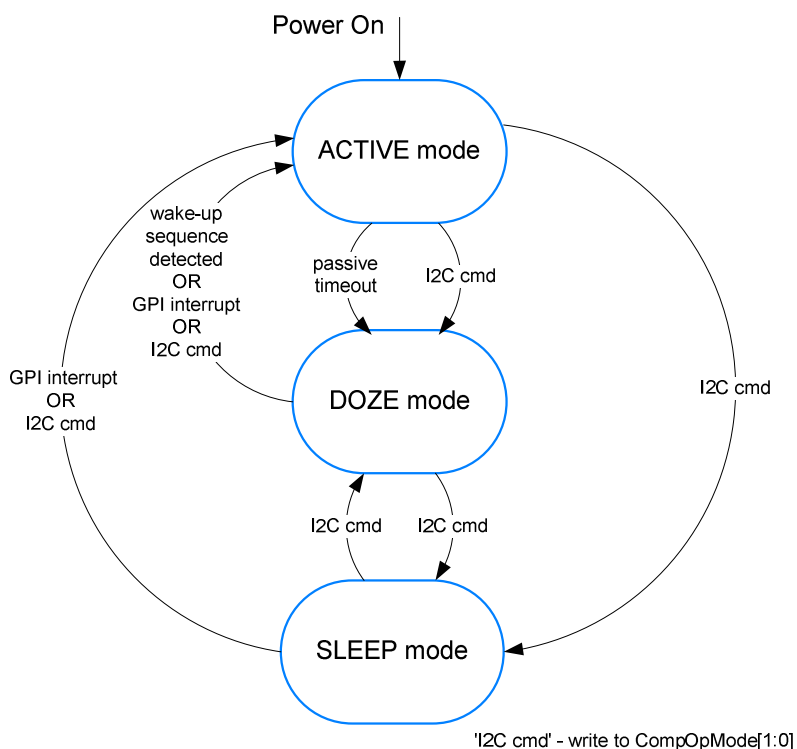


Figure 8 Operation modes

### 3.5 Sensors on the PCB

The capacitive sensors are relatively simple copper areas on the PCB connected to the twelve SX8645 capacitive sensor input pins (CAP0...CAP11). The sensors are covered by isolating overlay material (typically 1mm...3mm). The area of a sensor is typically one square centimeter which corresponds about to the area of a finger touching the overlay material.

The capacitive sensors can be setup as ON/OFF buttons (see example Figure 9) or arranged in a wheel configuration (see example Figure 10) for e.g. menu scrolling or volume control applications.

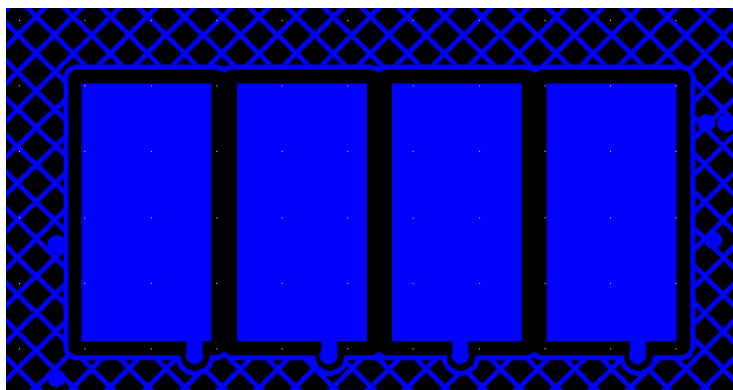


Figure 9 PCB top layer of four sensors for buttons (surrounded by a ground plane)

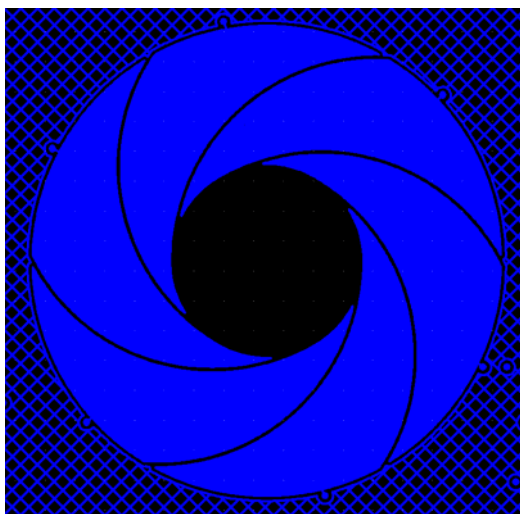


Figure 10 PCB top layer of one wheel using six sensors (surrounded by ground plane)

### 3.6 Button and Wheel Information

#### 3.6.1 Button Information

The buttons have two simple states (see Figure 11): ON (touched by finger) and OFF (released and no finger press).

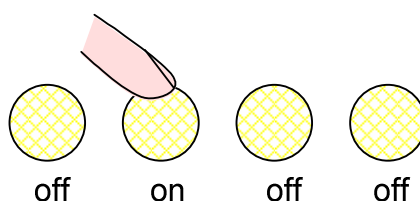


Figure 11 Buttons

A finger is detected as soon as the number of ticks from the ASI reaches a user-defined threshold plus a hysteresis.

A release is detected if the ticks from the ASI go below the threshold minus a hysteresis. The hysteresis around the threshold avoids rapid touch and release signaling during transients.

#### 3.6.2 Wheel Information

In case sensors are arranged in a wheel configuration the ON, OFF information remains available as if it would be a single sensor button.

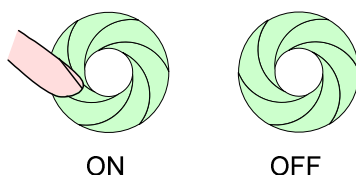


Figure 12 Wheel ON, OFF

Wherever the wheel is touched the information will be set to ON. If no finger is present the wheel information will be OFF.

Due to the 2 dimensional character of the wheel more information can be derived by processing the ticks. During a touch a finger will influence most of the time the charge on one or two sensors but never all of the sensors at the same time. Some sensor ticks will be larger than others based on the finger position. The processing algorithms can therefore determine where the finger is positioned on the wheel. Interpolation between sensors increases the resolution beyond the number of sensors in the wheel. The interpolation can be done already on the PCB sensor structures (analog, like the wheel in Figure 10) and as well by SX8645 digital processing of the ticks using center of gravity calculations.

The position of the finger on the PCB structures varies between the minimum zero and a user defined maximum (Figure 13).

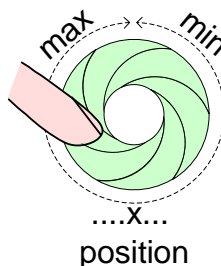
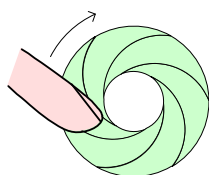


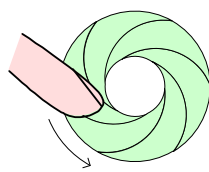
Figure 13 Wheel Position

The position belonging to the minimum and associated to a sensor is defined arbitrarily. The SX8645 defines the minimum position to the sensor with the lowest CAP pin index. E.g. if CAP0 is a button (or disabled) and CAP1 to CAP7 are the sensors of the wheel then the position 'zero' starts at CAP1 and the maximum is found at CAP7.

In addition to the wheel position, the SX8645 allows to detect finger rotation. The rotation occurs if the finger position changes a certain step size between two succeeding scan periods. A very slow moving finger will not be considered as a rotation as the changing position will be minor. The SX8645 allows detecting a rotate clockwise (direction min to max) (see Figure 14) and a rotate counter clockwise (direction max to min) (see Figure 15).



rotate clockwise

*Figure 14 Wheel rotate clockwise*

rotate counter clockwise

*Figure 15 Wheel rotate counter clockwise*



### 3.7 Analog Sensing Interface

The Analog Sensing Interface (ASI) converts the charge on the sensors into ticks which will be further digitally processed. The basic principle of the ASI will be explained in this section.

The ASI consists of a multiplexer selecting the sensor, analog switches, a reference voltage, an ADC sigma delta converter, an offset compensation DAC and an external integration capacitor (see Figure 16).

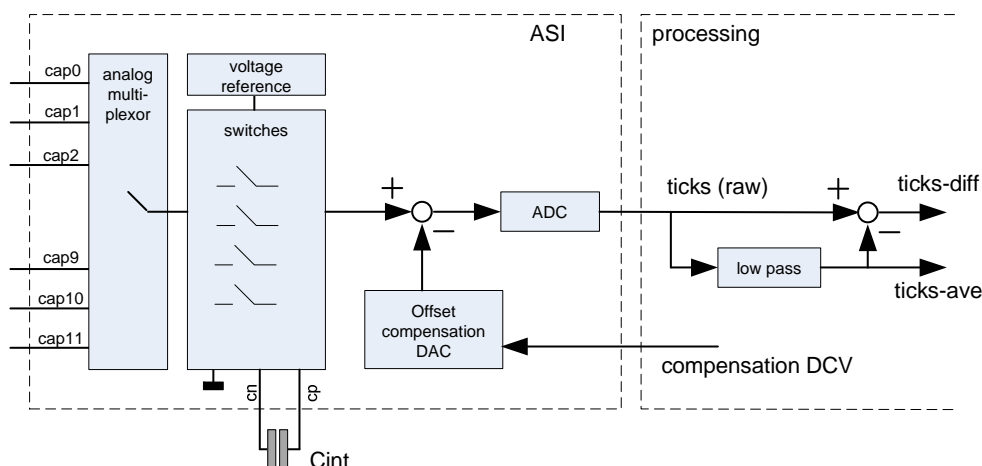


Figure 16 Analog Sensor Interface

To get the ticks representing the charge on a specific sensor the ASI will execute several steps.

The charge on a sensor cap (e.g. CAP0) will be accumulated multiple times on the external integration capacitor, C<sub>int</sub>.

This results in an increasing voltage on C<sub>int</sub> proportional to the capacitance on CAP0.

At this stage the offset compensation DAC is enabled. The compensation DAC generates a voltage proportional to an estimation of the external capacitance. The estimation is obtained by the offset compensation procedure executed e.g. at power-up.

The difference between the DAC output and the charge on C<sub>int</sub> is the desired signal. In the ideal case the difference of charge will be converted to zero ticks if no finger is present and the number of ticks becomes high in case a finger is present.

The difference of charge on C<sub>int</sub> and the DAC output will be transferred to the ADC (Sigma Delta Integrator).

After the charge transfer to the ADC the steps above will be repeated.

The larger the number the cycles are repeated the larger the signal out of the ADC with improved SNR. The sensitivity is therefore directly related to the number of cycles.

The SX8645 allows setting the sensitivity for each sensor individually in applications which have a variety of sensors sizes or different overlays or for fine-tuning performances. The optimal sensitivity is depending heavily on the final application. If the sensitivity is too low the ticks will not pass the thresholds and it is not possible to detect fingers. In case the sensitivity is set too large a finger hovering above the sensors will already be detected before the finger really touches the overlay resulting in false detections.

Once the ASI has finished the first sensor, the ticks are stored and the ASI will start measuring the next sensor until all (enabled) sensors pins have been treated.

In case some sensors are disabled then these result in lower power consumption simply because the ASI is active for a shorter period and the following processing period will be shorter.

The ticks from the ASI will then be handled by the digital processing.

### 3.8 Offset Compensation

The capacitance at the CAP pins is determined by an intrinsic capacitance of the integrated circuit, the PCB traces, ground coupling and the sensor planes. This capacitance is relatively large and might become easily some tens of pF. This parasitic capacitance will vary only slowly over time due to environmental changes.

A finger touch is in the order of one pF. If the finger approaches the sensor this occurs typically fast.

The ASI has the difficult task to detect and distinguish a small, fast changing capacitance, from a large, slow varying capacitance. This would require a very precise, high resolution ADC and complicated, power consuming, digital processing.

The SX8645 features a 16 bit DAC which compensates for the large, slow varying capacitance already in front of the ADC. In other words the ADC converts only the desired small signal. In the ideal world the ADC will put out zero ticks even if the external capacitance is as high as 100pF.

At each power-up of the SX8645 the Digital Compensation Values (DCV) are estimated by the digital processing algorithms. The algorithm will adjust the compensation values such that zero ticks will be generated by the ADC.

Once the correct compensation values are found these will be stored and used to compensate each CAP pin.

If the SX8645 is shut down the compensation values will be lost. At a next power-up the procedure starts all over again. This assures that the SX8645 will operate under any condition. Powering up at e.g. different temperatures will not change the performance of the SX8645 and the host does not have to do anything special.

The DCVs do not need to be updated if the external conditions remain stable.

However if e.g. temperature changes this will influence the external capacitance. The ADC ticks will drift then slowly around zero values basically because of the mismatch of the compensation circuitry and the external capacitance.

In case the average value of the ticks become higher than the positive noise threshold (configurable by user) or lower than the negative threshold (configurable by user) then the SX8645 will initiate a compensation procedure and find a new set of DCVs.

Compensation procedures can as well be initiated by the SX8645 on periodic intervals. Even if the ticks remain within the positive and negative noise thresholds the compensation procedure will then estimate new sets of DCVs.

Finally the host can initiate a compensation procedure by using the I2C interface (in Active or Doze mode). This is e.g. required after the host changed the sensitivity of sensors.

### 3.9 Processing

The first processing step of the raw ticks, coming out of the ASI, is low pass filtering to obtain an estimation of the average capacitance: tick-ave (see Figure 17). This slowly varying average is important in the detection of slowly changing environmental changes.

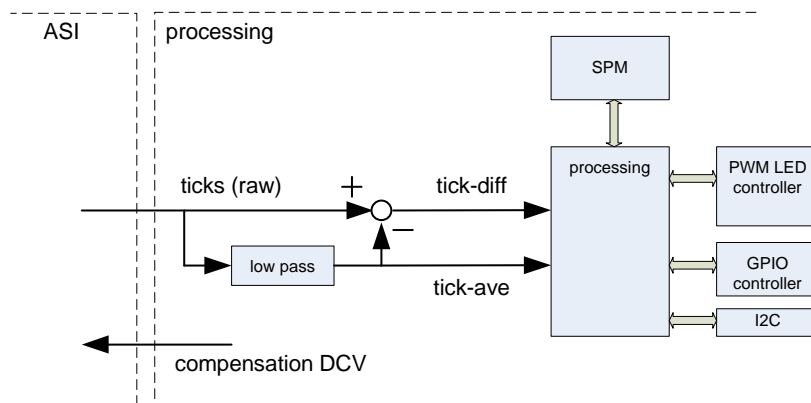


Figure 17 Processing

The difference of the tick average and the raw ticks, tick-diff, is a good estimation of rapid changing input capacitances.

The tick-diff, tick-ave and the configuration parameters in the SPM are then processed and determines the sensor information, I2C registers status and PWM control.

### 3.10 Configuration

Figure 18 shows the building blocks used for configuring the SX8645.

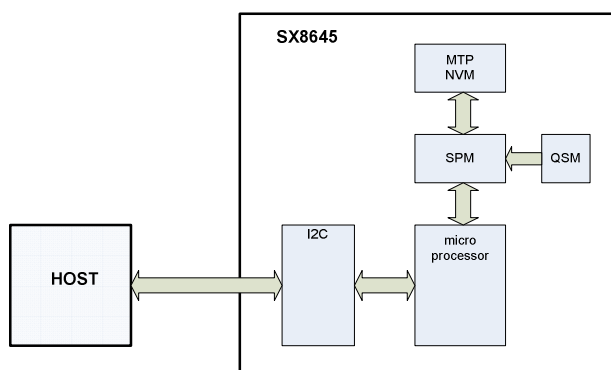


Figure 18 Configuration

The default configuration parameters of the SX8645 are stored in the Quick Start Memory (QSM). This configuration data is setup to a very common application for the SX8645 with 6 buttons and a wheel. Without any programming or host interaction the SX8645 will startup in the Quick Start Application.

The QSM settings are fixed and can not be changed by the user.

In case the application needs different settings than the QSM settings then the SX8645 can be setup and/or programmed over the I2C interface.

The configuration parameters of the SX8645 can be stored in the Multiple Time Programmable (MTP) Non Volatile Memory (NVM). The NVM contains all those parameters that are defined and stable for the application. Examples are the number of sensors enabled, sensitivity, active and Doze scan period. The details of these parameters are described in the next chapters.

At power up the SX8645 checks if the NVM contains valid data. In that case the configuration parameter source becomes the NVM. If the NVM is empty or non-valid then the configuration source becomes the QSM. In the next step the SX8645 copies the configuration parameter source (QSM or NVM) into the Shadow Parameter Memory (SPM). The SX8645 is operational and uses the configuration parameters of the SPM.

During power down or reset event the SPM loses all content. It will automatically be reloaded (from QSM or NVM) following power up or at the end of the reset event.

The host will interface with the SX8645 through the I2C bus.

The I2C of the SX8645 consists of 16 registers. Some of these I2C registers are used to read the status and information of the button and the wheel. Other I2C registers allow the host to take control of the SX8645. The host can e.g. decide to change the operation mode from Active mode to Doze mode or go into Sleep (according to Figure 8).

Two additional modes allow the host to have an access to the SPM or indirect access to the NVM.

These modes are required during development, can be used in real time or in-field programming.

Figure 19 shows the Host SPM mode. In this mode the host can decide to overwrite the SPM. This is useful during the development phases of the application where the configuration parameters are not yet fully defined and as well during the operation of the application if some parameters need to be changed dynamically.

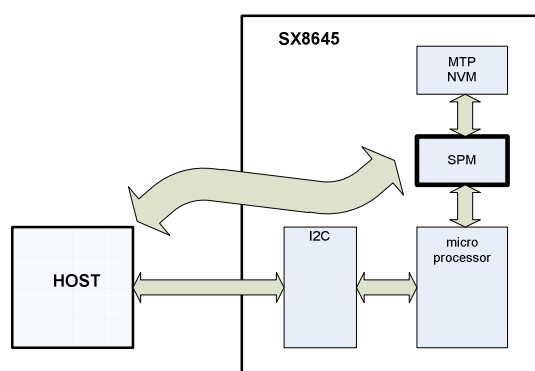


Figure 19 Host SPM mode

The content of the SPM remains valid as long as the SX8645 is powered and no reset is performed. After a power down or reset the host needs to re-write the SPM if relevant for the application.

Figure 20 shows the Host NVM mode. In this mode the host will be able to write the NVM.

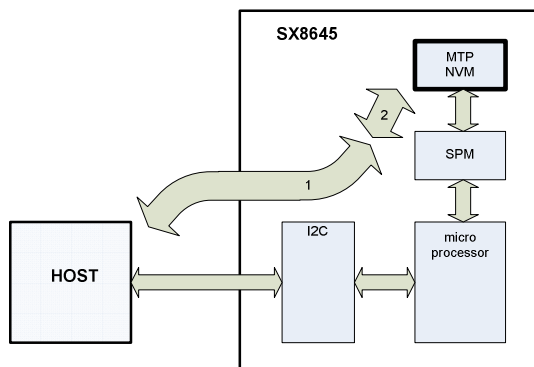


Figure 20 Host NVM mode

The writing of the host towards the NVM is not done directly but done in 2 steps (Figure 20).

In the first step the host writes to the SPM (as in Figure 19). In the second step the host signals the SX8645 to copy the SPM content into the NVM.

Initially the NVM memory is empty and it is required to determine a valid parameter set for the application. This can be done during the development phase using dedicated evaluation hardware representing the final application. This development phase uses probably initially the host SPM mode which allows faster iterations.

Once the parameter set is determined this can be written to the NVM over the I2C using the 2 steps approach by the host or a dedicated programmer for large volumes production (as described in the paragraphs 6.6 and 6.7).

### 3.11 Power Management

The SX8645 uses on-chip voltage regulators which are controlled by the on-chip microprocessor. The regulators need to be stabilized with an external capacitor between VANA and ground and between VDIG and ground (see Table 5). Both regulators are designed to only drive the SX8645 internal circuitry and must not be loaded externally.

### 3.12 Clock Circuitry

The SX8645 has its own internal clock generation circuitry that does not require any external components. The clock circuitry is optimized for low power operation and is controlled by the on-chip microprocessor. The typical operating frequency of the oscillating core is 16.7MHz from which all other lower frequencies are derived.

### 3.13 I2C interface

The I2C interface allows the communication between the host and the SX8645.

The I2C slave implemented on the SX8645 is compliant with the standard (100kb/s) and fast mode (400kb/s). The default SX8645 I2C address equals 0b010 1011.

A different I2C address can be programmed by the user in the NVM.

### 3.14 Reset

The reset can be performed by 3 sources:

- power up,
- RESETB pin,
- software reset.

#### 3.14.1 Power up

During power up the INTB is kept low. Once the power up sequence is terminated the INTB is released autonomously. The SX8645 is then ready for operation.

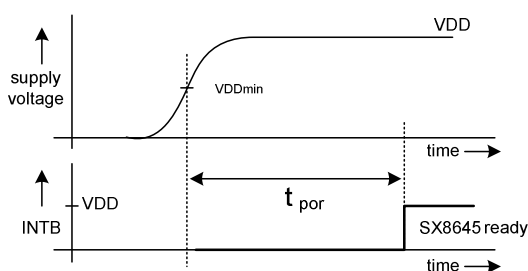


Figure 21 Power Up vs. INTB

During the power on period the SX8645 stabilizes the internal regulators, RC clocks and the firmware initializes all registers.

During the power up the SX8645 is not accessible and I2C communications are forbidden. As soon as the INTB rises the SX8645 will be ready for I2C communication.

#### 3.14.2 RESETB

When RESETB is driven low the SX8645 will reset and start the power up sequence as soon as RESETB is driven high or pulled high.

In case the user does not require a hardware reset control pin then the RESETB pin can be connected to VDD.

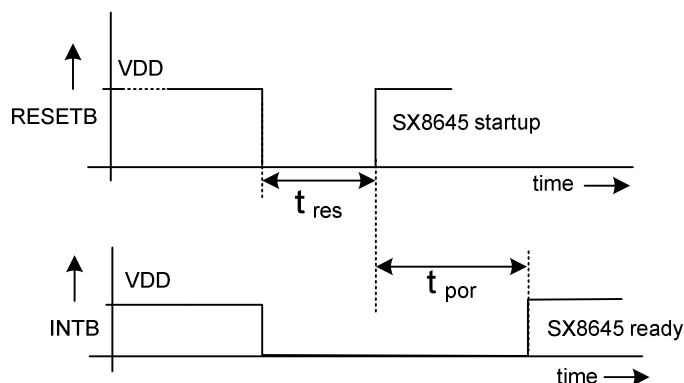


Figure 22 Hardware Reset

3.14.3 Software Reset

To perform a software reset the host needs to write 0xDE followed by 0x00 at the SoftReset register at address 0xB1.

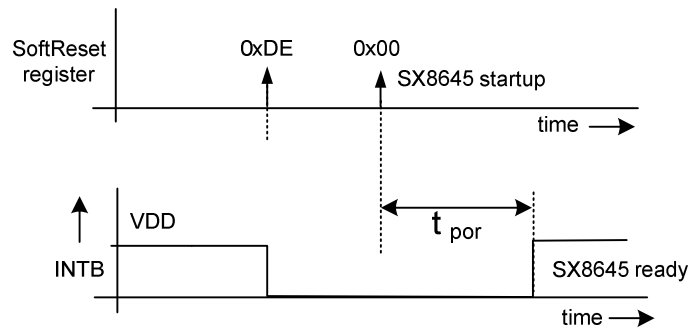


Figure 23 Software Reset

### 3.15 Interrupt

#### 3.15.1 Power up

During power up the INTB is kept low. Once the power up sequence is terminated the INTB is released autonomously. The SX8645 is then ready for operation.

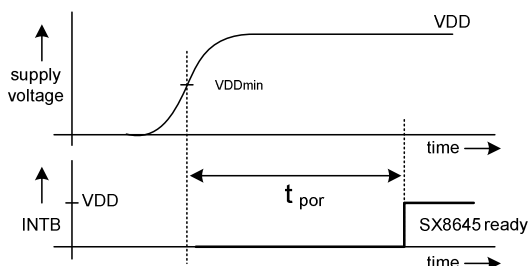


Figure 24 Power Up vs. INTB

During the power on period the SX8645 stabilizes the internal regulators, RC clocks and the firmware initializes all registers.

During the power up the SX8645 is not accessible and I2C communications are forbidden. As soon as the INTB rises the SX8645 will be ready for I2C communication.

#### 3.15.2 Assertion

INTB is updated in Active or Doze mode once every scan period.

The INTB will be asserted: at the following events:

- if a Button event occurred (touch or release if enabled). I2C registers CapStatMsb and CapStatLsb show the detailed status of the Buttons,
- if a Wheel event occurred (touch, release, rotate clockwise, rotate counter clockwise or position change). I2C registers CapStatMsb, WhIPosMsb and WhIPosLsb show the detailed status of the Wheel,
- if a GPI edge occurred (rising or falling if enabled). I2C register GpiStat shows the detailed status of the GPI pins,
- when actually entering Active or Doze mode either through automatic wakeup or via host request (may be delayed by 1 scan period). I2C register CompOpmode shows the current operation mode,
- once compensation procedure is completed either through automatic trigger or via host request (may be delayed by 1 scan period),
- once SPM write is effective (may be delayed by 1 scan period),
- once NVM burn procedure is completed (may be delayed by 1 scan period),
- during reset (power up, hardware RESETB, software reset).

#### 3.15.3 Clearing

INTB is updated in Active or Doze mode once every scan period.

The clearing of the INTB is done as soon as the host performs a read to the IrqSrc I2C register or reset is completed



3.15.4 Example

A typical example of the assertion and clearing of the INTB and the I2C communication is shown in Figure 25.

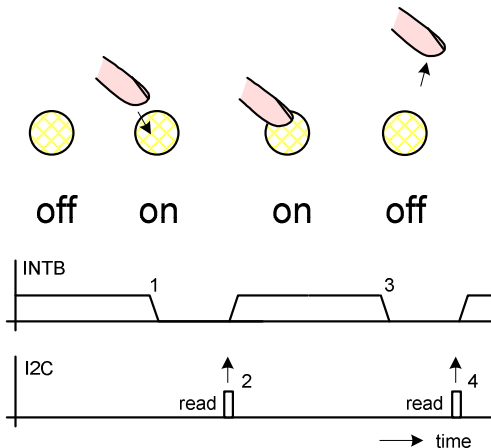


Figure 25 Interrupt and I2C

When a button is touched the SX8645 will assert the interrupt (1). The host will read the IrqSrc information over the I2C and this clears the interrupt (2).

If the finger releases the button the interrupt will be asserted (3). The host reading the IrqSrc information will clear the interrupt (4).

In case the host does not react to an interrupt this results in a missing touch.

### 3.16 General Purpose Input and Outputs

#### 3.16.1 Introduction and Definitions

The SX8645 offers eight General Purpose Input and Outputs (GPIO) pins which can be configured in any of these modes:

- GPI (General Purpose Input)
- GPP (General Purpose PWM)
- GPO (General Purpose Output)

Each of these modes is described in more details in the following sections.

The polarity of the GPP and GPO pins is defined as in figure below, driving an LED as example. It has to be set accordingly in SPM parameter GpioPolarity.

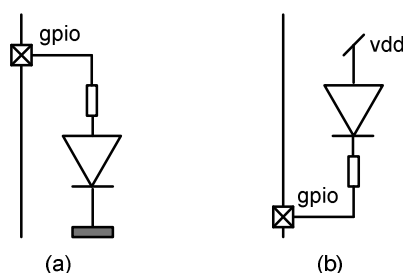


Figure 26 Polarity definition, (a) normal, (b) inverted

The PWM blocks used in GPP and GPO modes are 8-bits based and clocked at 2MHz typ. hence offering 256 selectable pulse width values with a granularity of 128us typ.

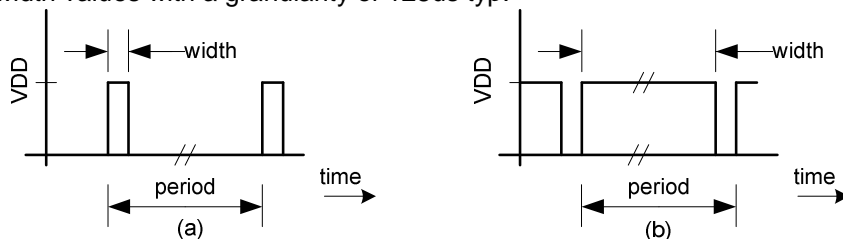


Figure 27 PWM definition, (a) small pulse width, (b) large pulse width

3.16.2 GPI

GPIOs configured as GPI will operate as digital inputs with standard low and high logic levels.

Optional pull-up/down and debounce can be enabled. Each GPI is individually edge programmable for INTB generation which will also exit Sleep/Doze mode if relevant.

SPM/I2C parameters applicable in GPI mode are listed in table below. Please refer to the relevant SPM/I2C parameters sections for more details.

|     |                | GPI |
|-----|----------------|-----|
| SPM | GpioMode       | X   |
|     | GpioPullUpDown | X   |
|     | GpioInterrupt  | X   |
|     | GpioDebounce   | X   |
| I2C | IrqSrc[4]      | X   |
|     | GpiStat        | X   |

Table 7 SPM/I2C Parameters Applicable in GPI Mode

3.16.3 GPP

GPIOs configured as GPP will operate as PWM outputs directly controlled by the host. A typical application is LED dimming.

Typical GPP operation is illustrated in figure below.

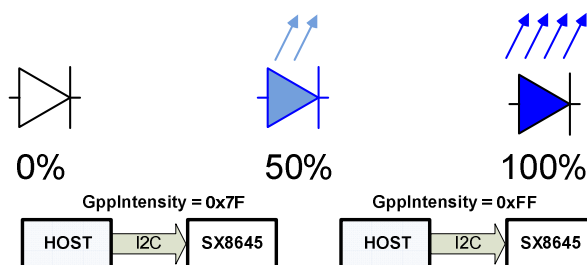


Figure 28 LED control in GPP mode

SPM/I2C parameters applicable in GPP mode are listed in table below. Please refer to the relevant SPM/I2C parameters sections for more details.

|     |                  | GPP            |
|-----|------------------|----------------|
| SPM | GpioMode         | X              |
|     | GpioOutPwrUp     | X <sup>1</sup> |
|     | GpioPolarity     | X              |
|     | GpioIntensityOn  | X <sup>1</sup> |
|     | GpioIntensityOff | X <sup>1</sup> |
|     | GpioFunction     | X              |
| I2C | GppPinId         | X              |
|     | GppIntensity     | X <sup>1</sup> |

<sup>1</sup> At power up, GppIntensity of each GPP pin is initialized with GpioIntensityOn or GpioIntensityOff depending on GpioOutPwrUp corresponding bits value.

Table 8 SPM/I2C Parameters Applicable in GPP Mode

3.16.4 GPO

GPIOs configured as GPO will operate as digital outputs which can generate both standard low/high logic levels and PWM low/high duty cycles levels. Typical application is LED ON/OFF control.

Transitions between ON and OFF states can be triggered either automatically in Autolight mode or manually by the host. This is illustrated in figures below.

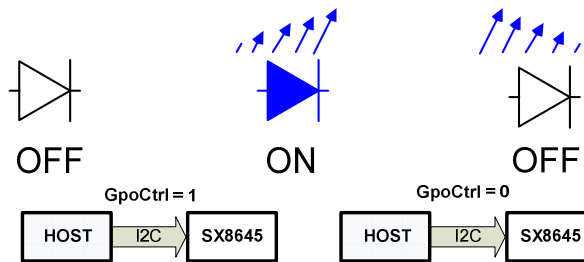


Figure 29 LED Control in GPO mode, Autolight OFF

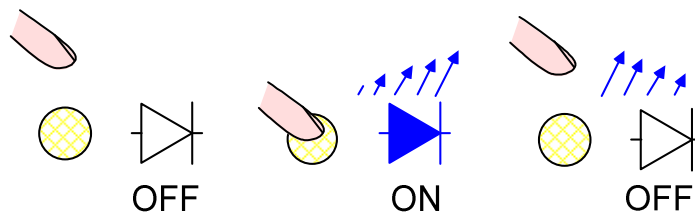


Figure 30 LED Control in GPO mode, Autolight ON (mapped to Button)

Additionally these transitions can be configured to be done with or without fading following a logarithmic or linear function. This is illustrated in figures below.

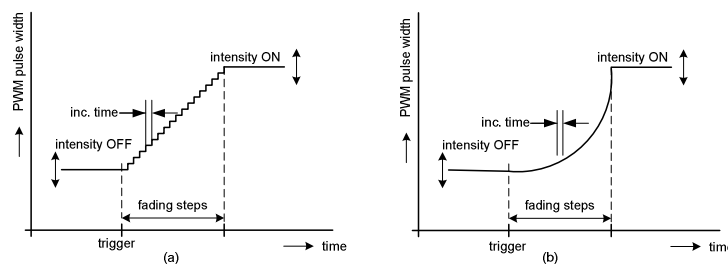


Figure 31 GPO ON transition (LED fade in), normal polarity, (a) linear, (b) logarithmic

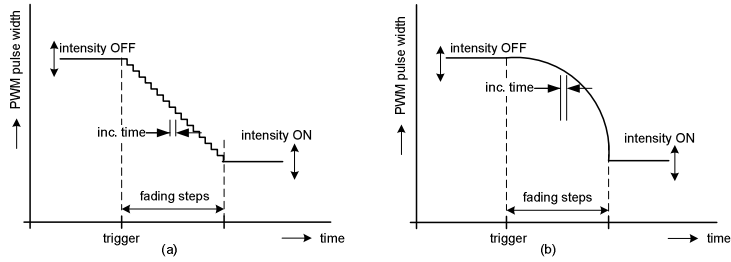


Figure 32 GPO ON transition (LED fade in), inverted polarity, (a) linear, (b) logarithmic

The fading out (e.g. after a button is released) is identical to the fading in but an additional off delay can be added before the fading starts (Figure 33 and Figure 34).

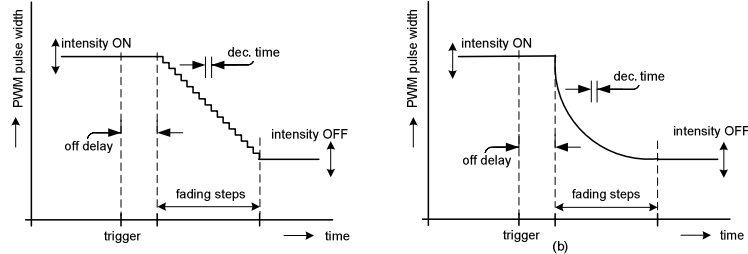


Figure 33 GPO OFF transition (LED fade out), normal polarity, (a) linear, (b) logarithmic

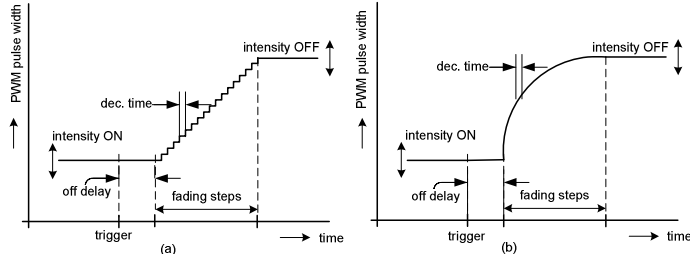


Figure 34 GPO OFF transition (LED fade out), inverted polarity, (a) linear, (b) logarithmic

Please note that standard high/low logic signals are just a specific case of GPO mode and can also be generated simply by setting inc/dec time to 0 (ie OFF) and programming intensity OFF/ON to 0x00 and 0xFF.

SPM/I2C parameters applicable in GPO mode are listed in table below.

|            |                  | GPO            |
|------------|------------------|----------------|
| <b>SPM</b> | GpioMode         | X              |
|            | GpioOutPwrUp     | X <sup>1</sup> |
|            | GpioAutoligth    | X              |
|            | GpioPolarity     | X              |
|            | GpioIntensityOn  | X              |
|            | GpioIntensityOff | X              |
|            | GpioFunction     | X              |
|            | GpioIncFactor    | X              |
|            | GpioDecFactor    | X              |
|            | GpioIncTime      | X              |
|            | GpioDecTime      | X              |
|            | GpioOffDelay     | X              |
| <b>I2C</b> | GpoCtrl          | X <sup>2</sup> |

<sup>1</sup> Only if Autolight is OFF, else must be left to 0 (default value)

<sup>2</sup> Only if Autolight is OFF, else ignored

*Table 9 SPM/I2C Parameters Applicable in GPO Mode*



**ADVANCED COMMUNICATIONS & SENSING DATASHEET**

3.16.5 Intensity index vs PWM pulse width

Tables below are used to convert all intensity indexes parameters GpioIntensityOff, GpioIntensityOn and GppIntensity but also to generate fading in GPO mode  
 During fading in(out), the index is automatically incremented(decremented) at every Inc(Dec)Time x Inc(Dec)Factor until it reaches the programmed GpioIntensityOn(Off) value.

| Index | Lin/Log | Index | Lin/Log | Index | Lin/Log | Index | Lin/Log | Index | Lin/Log | Index | Lin/Log | Index | Lin/Log | Index | Lin/Log |
|-------|---------|-------|---------|-------|---------|-------|---------|-------|---------|-------|---------|-------|---------|-------|---------|
| 0     | 0/0     | 32    | 33/5    | 64    | 65/12   | 96    | 97/26   | 128   | 129/48  | 160   | 161/81  | 192   | 193/125 | 224   | 225/184 |
| 1     | 2/0     | 33    | 34/5    | 65    | 66/13   | 97    | 98/27   | 129   | 130/49  | 161   | 162/82  | 193   | 194/127 | 225   | 226/186 |
| 2     | 3/0     | 34    | 35/5    | 66    | 67/13   | 98    | 99/27   | 130   | 131/50  | 162   | 163/83  | 194   | 195/129 | 226   | 227/188 |
| 3     | 4/0     | 35    | 36/5    | 67    | 68/13   | 99    | 100/28  | 131   | 132/51  | 163   | 164/84  | 195   | 196/130 | 227   | 228/190 |
| 4     | 5/0     | 36    | 37/5    | 68    | 69/14   | 100   | 101/29  | 132   | 133/52  | 164   | 165/86  | 196   | 197/132 | 228   | 229/192 |
| 5     | 6/2     | 37    | 38/6    | 69    | 70/14   | 101   | 102/29  | 133   | 134/53  | 165   | 166/87  | 197   | 198/133 | 229   | 230/194 |
| 6     | 7/2     | 38    | 39/6    | 70    | 71/14   | 102   | 103/30  | 134   | 135/54  | 166   | 167/88  | 198   | 199/135 | 230   | 231/197 |
| 7     | 8/2     | 39    | 40/6    | 71    | 72/15   | 103   | 104/30  | 135   | 136/55  | 167   | 168/89  | 199   | 200/137 | 231   | 232/199 |
| 8     | 9/2     | 40    | 41/6    | 72    | 73/15   | 104   | 105/31  | 136   | 137/55  | 168   | 169/91  | 200   | 201/139 | 232   | 233/201 |
| 9     | 10/2    | 41    | 42/6    | 73    | 74/15   | 105   | 106/32  | 137   | 138/56  | 169   | 170/92  | 201   | 202/140 | 233   | 234/203 |
| 10    | 11/2    | 42    | 43/7    | 74    | 75/16   | 106   | 107/32  | 138   | 139/57  | 170   | 171/93  | 202   | 203/142 | 234   | 235/205 |
| 11    | 12/2    | 43    | 44/7    | 75    | 76/16   | 107   | 108/33  | 139   | 140/58  | 171   | 172/95  | 203   | 204/144 | 235   | 236/208 |
| 12    | 13/2    | 44    | 45/7    | 76    | 77/16   | 108   | 109/33  | 140   | 141/59  | 172   | 173/96  | 204   | 205/146 | 236   | 237/210 |
| 13    | 14/2    | 45    | 46/7    | 77    | 78/17   | 109   | 110/34  | 141   | 142/60  | 173   | 174/97  | 205   | 206/147 | 237   | 238/212 |
| 14    | 15/3    | 46    | 47/7    | 78    | 79/17   | 110   | 111/35  | 142   | 143/61  | 174   | 175/99  | 206   | 207/149 | 238   | 239/215 |
| 15    | 16/3    | 47    | 48/8    | 79    | 80/18   | 111   | 112/35  | 143   | 144/62  | 175   | 176/100 | 207   | 208/151 | 239   | 240/217 |
| 16    | 17/3    | 48    | 49/8    | 80    | 81/18   | 112   | 113/36  | 144   | 145/63  | 176   | 177/101 | 208   | 209/153 | 240   | 241/219 |
| 17    | 18/3    | 49    | 50/8    | 81    | 82/19   | 113   | 114/37  | 145   | 146/64  | 177   | 178/103 | 209   | 210/155 | 241   | 242/221 |
| 18    | 19/3    | 50    | 51/8    | 82    | 83/19   | 114   | 115/38  | 146   | 147/65  | 178   | 179/104 | 210   | 211/156 | 242   | 243/224 |
| 19    | 20/3    | 51    | 52/9    | 83    | 84/20   | 115   | 116/38  | 147   | 148/66  | 179   | 180/106 | 211   | 212/158 | 243   | 244/226 |
| 20    | 21/3    | 52    | 53/9    | 84    | 85/20   | 116   | 117/39  | 148   | 149/67  | 180   | 181/107 | 212   | 213/160 | 244   | 245/229 |
| 21    | 22/3    | 53    | 54/9    | 85    | 86/21   | 117   | 118/40  | 149   | 150/68  | 181   | 182/109 | 213   | 214/162 | 245   | 246/231 |
| 22    | 23/3    | 54    | 55/9    | 86    | 87/21   | 118   | 119/40  | 150   | 151/69  | 182   | 183/110 | 214   | 215/164 | 246   | 247/233 |
| 23    | 24/4    | 55    | 56/10   | 87    | 88/22   | 119   | 120/41  | 151   | 152/71  | 183   | 184/111 | 215   | 216/166 | 247   | 248/236 |
| 24    | 25/4    | 56    | 57/10   | 88    | 89/22   | 120   | 121/42  | 152   | 153/72  | 184   | 185/113 | 216   | 217/168 | 248   | 249/238 |
| 25    | 26/4    | 57    | 58/10   | 89    | 90/23   | 121   | 122/43  | 153   | 154/73  | 185   | 186/114 | 217   | 218/170 | 249   | 250/241 |
| 26    | 27/4    | 58    | 59/10   | 90    | 91/23   | 122   | 123/44  | 154   | 155/74  | 186   | 187/116 | 218   | 219/172 | 250   | 251/243 |
| 27    | 28/4    | 59    | 60/11   | 91    | 92/24   | 123   | 124/44  | 155   | 156/75  | 187   | 188/117 | 219   | 220/174 | 251   | 252/246 |
| 28    | 29/4    | 60    | 61/11   | 92    | 93/24   | 124   | 125/45  | 156   | 157/76  | 188   | 189/119 | 220   | 221/176 | 252   | 253/248 |
| 29    | 30/4    | 61    | 62/11   | 93    | 94/25   | 125   | 126/46  | 157   | 158/77  | 189   | 190/121 | 221   | 222/178 | 253   | 254/251 |
| 30    | 31/4    | 62    | 63/12   | 94    | 95/25   | 126   | 127/47  | 158   | 159/78  | 190   | 191/122 | 222   | 223/180 | 254   | 255/253 |
| 31    | 32/5    | 63    | 64/12   | 95    | 96/26   | 127   | 128/48  | 159   | 160/80  | 191   | 192/124 | 223   | 224/182 | 255   | 256/256 |

Table 10 Intensity index vs. PWM pulse width (normal polarity)

| Index | Lin/Log | Index | Lin/Log | Index | Lin/Log | Index | Lin/Log | Index | Lin/Log | Index | Lin/Log | Index | Lin/Log | Index | Lin/Log |
|-------|---------|-------|---------|-------|---------|-------|---------|-------|---------|-------|---------|-------|---------|-------|---------|
| 0     | 256/256 | 32    | 224/251 | 64    | 192/244 | 96    | 160/230 | 128   | 128/208 | 160   | 96/175  | 192   | 64/131  | 224   | 32/72   |
| 1     | 255/256 | 33    | 223/251 | 65    | 191/243 | 97    | 159/229 | 129   | 127/207 | 161   | 95/174  | 193   | 63/129  | 225   | 31/70   |
| 2     | 254/256 | 34    | 222/251 | 66    | 190/243 | 98    | 158/229 | 130   | 126/206 | 162   | 94/173  | 194   | 62/127  | 226   | 30/68   |
| 3     | 253/256 | 35    | 221/251 | 67    | 189/243 | 99    | 157/228 | 131   | 125/205 | 163   | 93/172  | 195   | 61/126  | 227   | 29/66   |
| 4     | 252/256 | 36    | 220/251 | 68    | 188/242 | 100   | 156/227 | 132   | 124/204 | 164   | 92/170  | 196   | 60/124  | 228   | 28/64   |
| 5     | 251/254 | 37    | 219/250 | 69    | 187/242 | 101   | 155/227 | 133   | 123/203 | 165   | 91/169  | 197   | 59/123  | 229   | 27/62   |
| 6     | 250/254 | 38    | 218/250 | 70    | 186/242 | 102   | 154/226 | 134   | 122/202 | 166   | 90/168  | 198   | 58/121  | 230   | 26/59   |
| 7     | 249/254 | 39    | 217/250 | 71    | 185/241 | 103   | 153/226 | 135   | 121/201 | 167   | 89/167  | 199   | 57/119  | 231   | 25/57   |
| 8     | 248/254 | 40    | 216/250 | 72    | 184/241 | 104   | 152/225 | 136   | 120/201 | 168   | 88/165  | 200   | 56/117  | 232   | 24/55   |
| 9     | 247/254 | 41    | 215/250 | 73    | 183/241 | 105   | 151/224 | 137   | 119/200 | 169   | 87/164  | 201   | 55/116  | 233   | 23/53   |
| 10    | 246/254 | 42    | 214/249 | 74    | 182/240 | 106   | 150/224 | 138   | 118/199 | 170   | 86/163  | 202   | 54/114  | 234   | 22/50   |
| 11    | 245/254 | 43    | 213/249 | 75    | 181/240 | 107   | 149/223 | 139   | 117/198 | 171   | 85/161  | 203   | 53/112  | 235   | 21/48   |
| 12    | 244/254 | 44    | 212/249 | 76    | 180/240 | 108   | 148/223 | 140   | 116/197 | 172   | 84/160  | 204   | 52/110  | 236   | 20/46   |
| 13    | 243/254 | 45    | 211/249 | 77    | 179/239 | 109   | 147/222 | 141   | 115/196 | 173   | 83/159  | 205   | 51/109  | 237   | 19/44   |
| 14    | 242/253 | 46    | 210/249 | 78    | 178/239 | 110   | 146/221 | 142   | 114/195 | 174   | 82/157  | 206   | 50/107  | 238   | 18/41   |
| 15    | 241/253 | 47    | 209/248 | 79    | 177/238 | 111   | 145/221 | 143   | 113/194 | 175   | 81/156  | 207   | 49/105  | 239   | 17/39   |
| 16    | 240/253 | 48    | 208/248 | 80    | 176/238 | 112   | 144/220 | 144   | 112/193 | 176   | 80/155  | 208   | 48/103  | 240   | 16/37   |
| 17    | 239/253 | 49    | 207/248 | 81    | 175/237 | 113   | 143/219 | 145   | 111/192 | 177   | 79/153  | 209   | 47/101  | 241   | 15/35   |
| 18    | 238/253 | 50    | 206/248 | 82    | 174/237 | 114   | 142/218 | 146   | 110/191 | 178   | 78/152  | 210   | 46/100  | 242   | 14/32   |
| 19    | 237/253 | 51    | 205/247 | 83    | 173/236 | 115   | 141/218 | 147   | 109/190 | 179   | 77/150  | 211   | 45/98   | 243   | 13/30   |
| 20    | 236/253 | 52    | 204/247 | 84    | 172/236 | 116   | 140/217 | 148   | 108/189 | 180   | 76/149  | 212   | 44/96   | 244   | 12/27   |
| 21    | 235/253 | 53    | 203/247 | 85    | 171/235 | 117   | 139/216 | 149   | 107/188 | 181   | 75/147  | 213   | 43/94   | 245   | 11/25   |
| 22    | 234/253 | 54    | 202/247 | 86    | 170/235 | 118   | 138/216 | 150   | 106/187 | 182   | 74/146  | 214   | 42/92   | 246   | 10/23   |
| 23    | 233/252 | 55    | 201/246 | 87    | 169/234 | 119   | 137/215 | 151   | 105/185 | 183   | 73/145  | 215   | 41/90   | 247   | 9/20    |
| 24    | 232/252 | 56    | 200/246 | 88    | 168/234 | 120   | 136/214 | 152   | 104/184 | 184   | 72/143  | 216   | 40/88   | 248   | 8/18    |
| 25    | 231/252 | 57    | 199/246 | 89    | 167/233 | 121   | 135/213 | 153   | 103/183 | 185   | 71/142  | 217   | 39/86   | 249   | 7/15    |
| 26    | 230/252 | 58    | 198/246 | 90    | 166/233 | 122   | 134/212 | 154   | 102/182 | 186   | 70/140  | 218   | 38/84   | 250   | 6/13    |
| 27    | 229/252 | 59    | 197/245 | 91    | 165/232 | 123   | 133/212 | 155   | 101/181 | 187   | 69/139  | 219   | 37/82   | 251   | 5/10    |
| 28    | 228/252 | 60    | 196/245 | 92    | 164/232 | 124   | 132/211 | 156   | 100/180 | 188   | 68/137  | 220   | 36/80   | 252   | 4/8     |
| 29    | 227/252 | 61    | 195/245 | 93    | 163/231 | 125   | 131/210 | 157   | 99/179  | 189   | 67/135  | 221   | 35/78   | 253   | 3/5     |
| 30    | 226/252 | 62    | 194/244 | 94    | 162/231 | 126   | 130/209 | 158   | 98/178  | 190   | 66/134  | 222   | 34/76   | 254   | 2/3     |
| 31    | 225/251 | 63    | 193/244 | 95    | 161/230 | 127   | 129/208 | 159   | 97/176  | 191   | 65/132  | 223   | 33/74   | 255   | 0/0     |

Table 11 Intensity index vs. PWM pulse width (inverted polarity)

Recommended/default settings are inverted polarity (to take advantage from high sink current capability) and logarithmic mode (due to the non-linear response of the human eye).

### 3.17 Smart Wake Up

The SX8645 offers a smart wake up mechanism which allows waking-up from the Doze low power mode to the Active mode in a secure/controlled way and not by any unintentional sensor activation.

Until the full correct wake-up sequence is entered, the SX8645 will remain in Doze mode. Any wrong key implies the whole sequence to be entered again.

A sequence of up to 6 keys can be defined. Each key must be followed by a release to be validated.

The smart wake-up mechanism can also be disabled which implies that Doze mode can hence only be exited from GPI or I2C command.

## 4 PIN DESCRIPTIONS

### 4.1 Introduction

This chapter describes briefly the pins of the SX8645, the way the pins are protected, if the pins are analog, digital, require pull up or pull down resistors and show control signals if these are available.

### 4.2 ASI pins

#### CAP0, CAP1, ..., CAP11

The capacitance sensor pins (CAP0, CAP1, ..., CAP11) are connected directly to the ASI circuitry which converts the sensed capacitance into digital values.

The capacitance sensor pins which are not used should be left open.

The enabled CAP pins need be connected directly to the sensors without significant resistance (typical below some ohms, connection vias are allowed).

The capacitance sensor pins are protected to VANA and GROUND.

Figure 35 shows the simplified diagram of the CAP0, CAP1, ..., CAP11 pins.

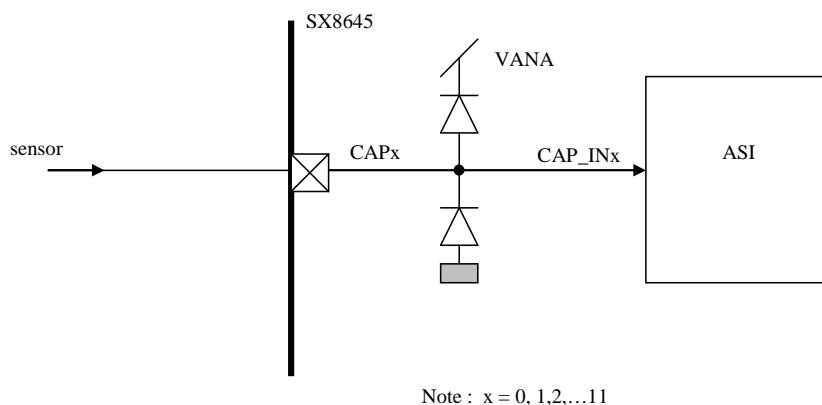


Figure 35 Simplified diagram of CAP0, CAP1, ..., CAP11

#### CN, CP

The CN and the CP pins are connected to the ASI circuitry. A 1nF sampling capacitor between CP and CN needs to be placed as close as possible to the SX8645.

The CN and CP are protected to VANA and GROUND.

Figure 36 shows the simplified diagram of the CN and CP pins.



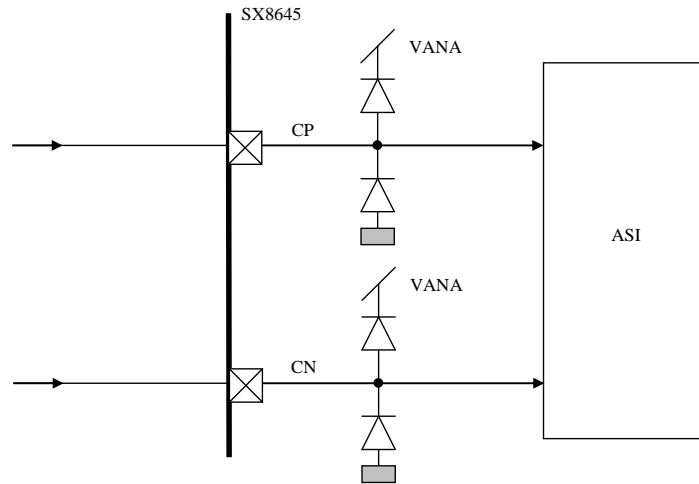


Figure 36 Simplified diagram of CN and CP

### 4.3 Host interface pins

The host interface consists of the interrupt pin INTB, a reset pin RESETB and the standard I2C pins: SCL and SDA.

#### INTB

The INTB pin is an open drain output that requires an external pull-up resistor (1..10 kOhm). The INTB pin is protected to VDD using dedicated devices. The INTB pin has diode protected to GROUND.

Figure 37 shows a simplified diagram of the INTB pin.

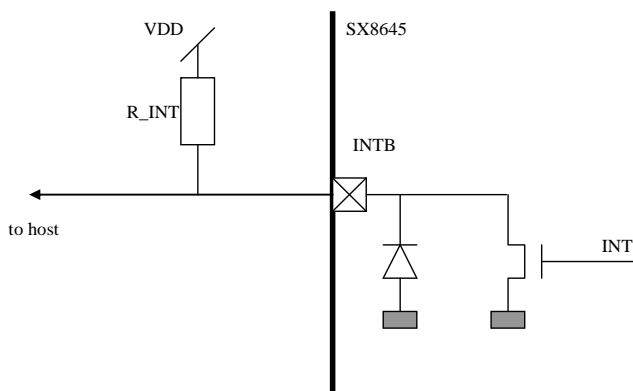
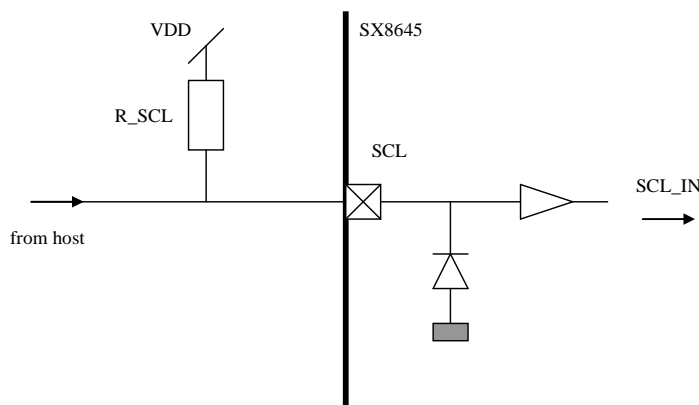


Figure 37 Simplified diagram of INTB

**SCL**

The SCL pin is a high impedance input pin. The SCL pin is protected to VDD, using dedicated devices, in order to conform to standard I2C slave specifications. The SCL pin has diode protected to GROUND. An external pull-up resistor (1..10 kOhm) is required on this pin.

Figure 38 shows the simplified diagram of the SCL pin.

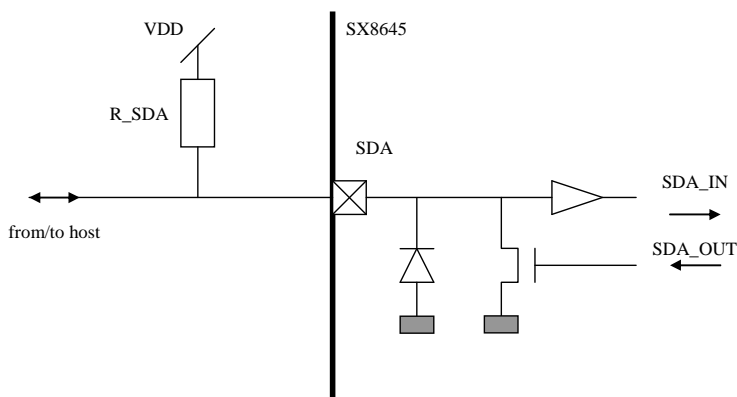


*Figure 38 Simplified diagram of SCL*

**SDA**

SDA is an IO pin that can be used as an open drain output pin with external pull-up resistor or as a high impedance input pin. The SDA IO pin is protected to VDD, using dedicated devices, in order to conform to standard I2C slave specifications. The SDA pin has diode protected to GROUND. An external pull-up resistor (1..10 kOhm) is required on this pin.

Figure 39 shows the simplified diagram of the SDA pin.



*Figure 39 Simplified diagram of SDA*

**RESETB**

The RESETB pin is a high impedance input pin. The RESETB pin is protected to VDD using dedicated devices. The RESETB pin has diode protected to GROUND. Figure 40 shows the simplified diagram of the RESETB pin controlled by the host.

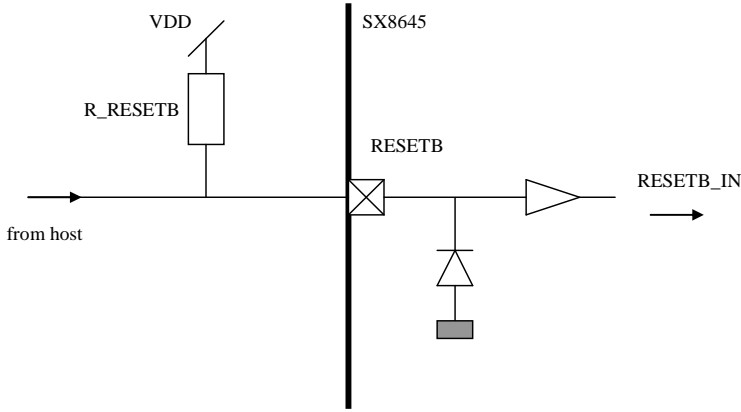


Figure 40 Simplified diagram of RESETB controlled by host

Figure 41 shows the RESETB without host control.

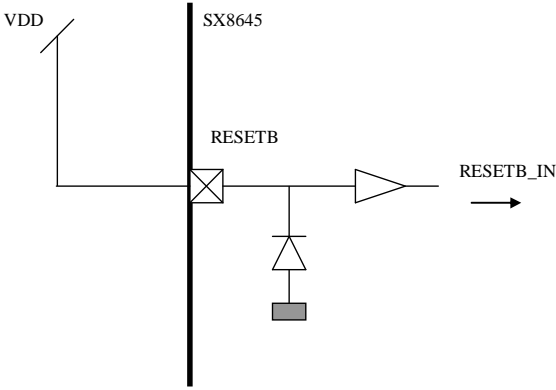


Figure 41 Simplified diagram of RESETB without host control

**4.4 Power management pins**

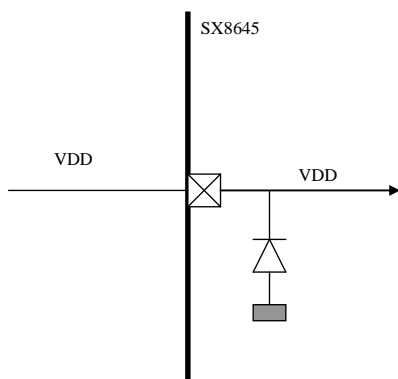
The power management pins consist of the Power, Ground and Regulator pins.

**VDD**

VDD is a power pin and is the main power supply for the SX8645.

VDD has protection to GROUND.

Figure 42 shows a simplified diagram of the VDD pin.



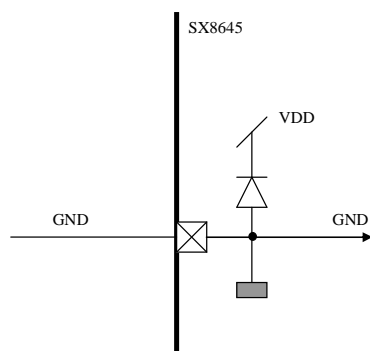
*Figure 42 Simplified diagram of VDD*

**GND**

The SX8645 has four ground pins all named GND. These pins and the package center pad need to be connected to ground potential.

The GND has protection to VDD.

Figure 43 shows a simplified diagram of the GND pin.



*Figure 43 Simplified diagram of GND*

**VANA, VDIG**

The SX8645 has on-chip regulators for internal use (pins VANA and VDIG).

VANA and VDIG have protection to VDD and to GND.

The output of the regulators needs to be de-coupled with a small 100nF capacitor to ground.

Figure 44 shows a simplified diagram of the VANA and VDIG pin.

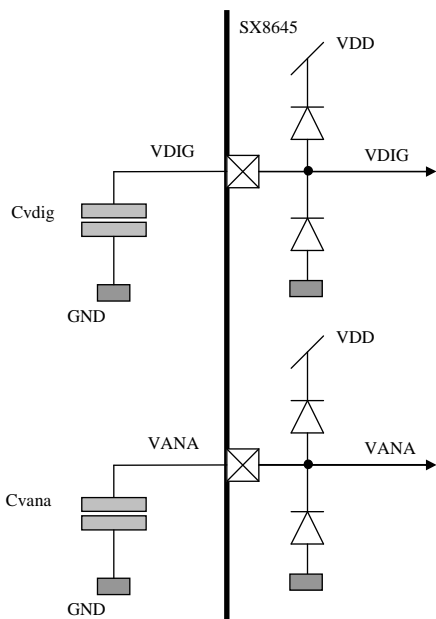


Figure 44 Simplified diagram of VANA and VDIG

**4.5 General purpose IO pins**

The SX8645 has 8 General purpose input/output (GPIO) pins.

All the GPIO pins have protection to VDD and GND.

The GPIO pins can be configured as GPI, GPO or GPP.

Figure 45 shows a simplified diagram of the GPIO pins.

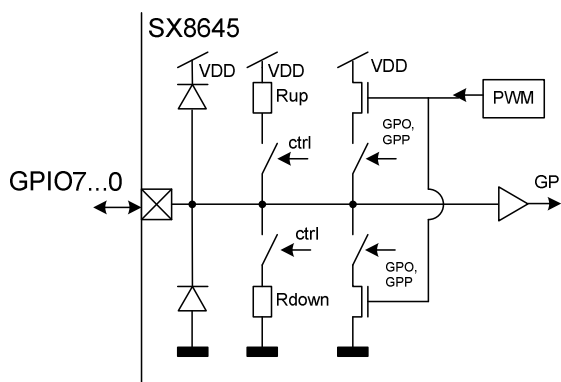


Figure 45 Simplified diagram of GPIO pins

## 5 DETAILED CONFIGURATION DESCRIPTIONS

### 5.1 Introduction

The SX8645 configuration parameters are taken from the QSM or the NVM and loaded into the SPM as explained in the chapter 'functional description'.

This chapter describes the details of the configuration parameters of the SX8645.

The SPM is split by functionality into 6 configuration sections:

- General section: operating modes,
- Capacitive Sensors section: related to lower level capacitive sensing,
- Button: related to the conversion from sensor data towards button information,
- Wheel: related to the conversion from sensor data towards wheel information,
- Mapping: related to mapping of button and wheel information towards wake-up and GPIO pins,
- GPIO: related to the setup of the GPIO pins.

The total address space of the SPM and the NVM is 128 bytes, from address 0x00 to address 0x7F.

Two types of memory addresses, data are accessible to the user.

- 'application data': Application dependent data that need to be configured by the user.
- 'reserved': Data that need to be maintained by the user to the QSM default values (i.e. when NVM is burned).

The Table 12 and Table 13 resume the complete SPM address space and show the 'application data' and 'reserved' addresses, the functional split and the default values (loaded from the QSM).

**ADVANCED COMMUNICATIONS & SENSING DATASHEET**

| Address | Name               | default QSM value   |      |
|---------|--------------------|---------------------|------|
| 0x00    | Reserved           | 0xxx                |      |
| 0x01    | Reserved           | 0xxx                |      |
| 0x02    | Reserved           | 0x18                |      |
| 0x03    | Reserved           | 0xxx                |      |
| 0x04    | General            | I2CAddress          | 0x2B |
| 0x05    |                    | ActiveScanPeriod    | 0x02 |
| 0x06    |                    | DozeScanPeriod      | 0x0D |
| 0x07    |                    | PassiveTimer        | 0x00 |
| 0x08    | Reserved           | 0x00                |      |
| 0x09    | Capacitive Sensors | CapModeMisc         | 0x01 |
| 0x0A    |                    | CapMode11_8         | 0xFF |
| 0x0B    |                    | CapMode7_4          | 0xF5 |
| 0x0C    |                    | CapMode3_0          | 0x55 |
| 0x0D    |                    | CapSensitivity0_1   | 0x00 |
| 0x0E    |                    | CapSensitivity2_3   | 0x00 |
| 0x0F    |                    | CapSensitivity4_5   | 0x00 |
| 0x10    |                    | CapSensitivity6_7   | 0x00 |
| 0x11    |                    | CapSensitivity8_9   | 0x00 |
| 0x12    |                    | CapSensitivity10_11 | 0x00 |
| 0x13    |                    | CapThresh0          | 0xA0 |
| 0x14    |                    | CapThresh1          | 0xA0 |
| 0x15    |                    | CapThresh2          | 0xA0 |
| 0x16    |                    | CapThresh3          | 0xA0 |
| 0x17    |                    | CapThresh4          | 0xA0 |
| 0x18    |                    | CapThresh5          | 0xA0 |
| 0x19    |                    | CapThresh6          | 0xA0 |
| 0x1A    | CapThresh7         | 0xA0                |      |
| 0x1B    | CapThresh8         | 0xA0                |      |
| 0x1C    | CapThresh9         | 0xA0                |      |
| 0x1D    | CapThresh10        | 0xA0                |      |
| 0x1E    | CapThresh11        | 0xA0                |      |
| 0x1F    | CapPerComp         | 0x00                |      |

| Address | Name     | default QSM value    |      |
|---------|----------|----------------------|------|
| 0x20    | Reserved | 0x00                 |      |
| 0x21    | Button   | BtnCfg               | 0x30 |
| 0x22    |          | BtnAvgThresh         | 0x50 |
| 0x23    |          | BtnCompNegThresh     | 0x50 |
| 0x24    |          | BtnCompNegCntMax     | 0x01 |
| 0x25    |          | BtnHysteresis        | 0x0A |
| 0x26    |          | BtnStuckAtTimeout    | 0x00 |
| 0x27    | Wheel    | WhlCfg               | 0x00 |
| 0x28    |          | WhlStuckAtTimeout    | 0x00 |
| 0x29    |          | WhlHysteresis        | 0x03 |
| 0x2A    |          | Reserved             | 0xFF |
| 0x2B    |          | WhlNormMsb           | 0x01 |
| 0x2C    |          | WhlNormLsb           | 0x40 |
| 0x2D    |          | WhlAvgThresh         | 0x50 |
| 0x2E    |          | WhlCompNegThresh     | 0x50 |
| 0x2F    |          | WhlCompNegCntMax     | 0x01 |
| 0x30    |          | WhlRotateThresh      | 0x02 |
| 0x31    |          | WhlOffset            | 0x00 |
| 0x32    |          | Reserved             | 0x00 |
| 0x33    | Mapping  | MapWakeupSize        | 0x00 |
| 0x34    |          | MapWakeupValue0      | 0x00 |
| 0x35    |          | MapWakeupValue1      | 0x00 |
| 0x36    |          | MapWakeupValue2      | 0x00 |
| 0x37    |          | MapAutoLight0        | 0xFE |
| 0x38    |          | MapAutoLight1        | 0x54 |
| 0x39    |          | MapAutoLight2        | 0x32 |
| 0x3A    |          | MapAutoLight3        | 0x10 |
| 0x3B    |          | MapAutoLightGrp0Msb  | 0x00 |
| 0x3C    |          | MapAutoLightGrp0Lsb  | 0x00 |
| 0x3D    |          | MapAutoLightGrp1Msb  | 0x00 |
| 0x3E    |          | MapAutoLightGrp1Lsb  | 0x00 |
| 0x3F    |          | MapSegmentHysteresis | 0x02 |

Table 12 SPM address map: 0x00...0x3F

Note

- '0xxx': write protected data

| Address | Name | default QSM value | Address | Name | default QSM value |                   |      |
|---------|------|-------------------|---------|------|-------------------|-------------------|------|
| 0x40    | Gpio | GpioMode7_4       | 0x00    | 0x60 | Gpio              | GpioDecTime1_0    | 0x44 |
| 0x41    |      | GpioMode3_0       | 0x00    | 0x61 |                   | GpioOffDelay7_6   | 0x00 |
| 0x42    |      | GpioOutPwrUp      | 0x00    | 0x62 |                   | GpioOffDelay5_4   | 0x00 |
| 0x43    |      | GpioAutoLight     | 0xFF    | 0x63 |                   | GpioOffDelay3_2   | 0x00 |
| 0x44    |      | GpioPolarity      | 0x00    | 0x64 |                   | GpioOffDelay1_0   | 0x00 |
| 0x45    |      | GpioIntensityOn0  | 0xFF    | 0x65 |                   | GpioPullUpDown7_4 | 0x00 |
| 0x46    |      | GpioIntensityOn1  | 0xFF    | 0x66 |                   | GpioPullUpDown3_0 | 0x00 |
| 0x47    |      | GpioIntensityOn2  | 0xFF    | 0x67 |                   | GpioInterrupt7_4  | 0x00 |
| 0x48    |      | GpioIntensityOn3  | 0xFF    | 0x68 |                   | GpioInterrupt3_0  | 0x00 |
| 0x49    |      | GpioIntensityOn4  | 0xFF    | 0x69 |                   | GpioDebounce      | 0x00 |
| 0x4A    |      | GpioIntensityOn5  | 0xFF    | 0x6A |                   | Reserved          | 0x00 |
| 0x4B    |      | GpioIntensityOn6  | 0xFF    | 0x6B | Reserved          | 0x00              |      |
| 0x4C    |      | GpioIntensityOn7  | 0xFF    | 0x6C | Reserved          | 0x00              |      |
| 0x4D    |      | GpioIntensityOff0 | 0x00    | 0x6D | Reserved          | 0x00              |      |
| 0x4E    |      | GpioIntensityOff1 | 0x00    | 0x6E | Reserved          | 0x00              |      |
| 0x4F    |      | GpioIntensityOff2 | 0x00    | 0x6F | Reserved          | 0x50              |      |
| 0x50    |      | GpioIntensityOff3 | 0x00    | 0x70 | Reserved          | 0x46              |      |
| 0x51    |      | GpioIntensityOff4 | 0x00    | 0x71 | Reserved          | 0x10              |      |
| 0x52    |      | GpioIntensityOff5 | 0x00    | 0x72 | Reserved          | 0x45              |      |
| 0x53    |      | GpioIntensityOff6 | 0x00    | 0x73 | Reserved          | 0x02              |      |
| 0x54    |      | GpioIntensityOff7 | 0x00    | 0x74 | Reserved          | 0xFF              |      |
| 0x55    |      | Reserved          | 0xFF    | 0x75 | Reserved          | 0xFF              |      |
| 0x56    |      | GpioFunction      | 0x00    | 0x76 | Reserved          | 0xFF              |      |
| 0x57    |      | GpioIncFactor     | 0x00    | 0x77 | Reserved          | 0xD5              |      |
| 0x58    |      | GpioDecFactor     | 0x00    | 0x78 | Reserved          | 0x55              |      |
| 0x59    |      | GpioIncTime7_6    | 0x00    | 0x79 | Reserved          | 0x55              |      |
| 0x5A    |      | GpioIncTime5_4    | 0x00    | 0x7A | Reserved          | 0x7F              |      |
| 0x5B    |      | GpioIncTime3_2    | 0x00    | 0x7B | Reserved          | 0x23              |      |
| 0x5C    |      | GpioIncTime1_0    | 0x00    | 0x7C | Reserved          | 0x22              |      |
| 0x5D    |      | GpioDecTime7_6    | 0x44    | 0x7D | Reserved          | 0x41              |      |
| 0x5E    |      | GpioDecTime5_4    | 0x44    | 0x7E | Reserved          | 0xFF              |      |
| 0x5F    |      | GpioDecTime3_2    | 0x44    | 0x7F | SpmCrc*           | 0xE1              |      |

Table 13 SPM address map: 0x40...0x7F

Note\*

- SpmCrc: CRC depending on SPM content, updated in Active or Doze mode.



5.2 General Parameters

| General Parameters |                  |      |   |
|--------------------|------------------|------|---|
| Address            | Name             | Bits | Description   |
| 0x04               | I2CAddress       | 7    | Reserved  |
|                    |                  | 6:0  | Defines the I2C address (default 0x2B).<br>The I2C address will be active after a reset.                                      |
| 0x05               | ActiveScanPeriod | 7:0  | Active Mode Scan Period (Figure 7)<br>0x00: Reserved<br>0x01: 15ms<br>0x02: 30ms (default)<br>...<br>0xFF: 255 x 15ms         |
| 0x06               | DozeScanPeriod   | 7:0  | Doze Mode Scan Period (Figure 7)<br>0x00: Reserved<br>0x01: 15ms<br>...<br>0x0D: 195ms (default)<br>...<br>0xFF: 255 x 15ms   |
| 0x07               | PassiveTimer     | 7:0  | Passive Timer on Button and Wheel Information (Figure 8)<br>0x00: OFF (default)<br>0x01: 1 second<br>...<br>0xFF: 255 seconds |

Table 14 General Parameters

### 5.3 Capacitive Sensors Parameters

| Capacitive Sensors Parameters  |                     |      |                                       |   |                |        |
|--|---------------------|------|---------------------------------------|---|----------------|--------|
| Address  | Name                | Bits | Description                           |   |                |        |
| 0x09   | CapModeMisc         | 7:3  | Reserved                              |   |                |        |
|  |                     | 2    | IndividualSensitivity                 | Defines common sensitivity for all sensors or individual sensor sensitivity.<br>0: Common settings (CapSensitivity0_1[7:4])<br>1: Individual CAP sensitivity settings (CapSensitivityx_x) |                |        |
|  |                     | 1:0  | Reserved                              |   | Reserved: '01' |        |
| 0x0A   | CapMode11_8         | 7:6  | CAP11 Mode                            | Defines the mode of the CAP pin.<br>00: Disabled<br>01: Button<br>10: Reserved<br>11: Wheel   | Default        | Wheel  |
|  |                     | 5:4  | CAP10 Mode                            |   |                | Wheel  |
|  |                     | 3:2  | CAP9 Mode                             |   |                | Wheel  |
|  |                     | 1:0  | CAP8 Mode                             |   |                | Wheel  |
| 0x0B   | CapMode7_4          | 7:6  | CAP7 Mode                             |   |                | Wheel  |
|  |                     | 5:4  | CAP6 Mode                             |   |                | Wheel  |
|  |                     | 3:2  | CAP5 Mode                             |   |                | Button |
|  |                     | 1:0  | CAP4 Mode                             |   |                | Button |
| 0x0C   | CapMode3_0          | 7:6  | CAP3 Mode                             |   |                | Button |
|  |                     | 5:4  | CAP2 Mode                             |   |                | Button |
|  |                     | 3:2  | CAP1 Mode                             |   |                | Button |
|  |                     | 1:0  | CAP0 Mode                             | Button  |                |        |
| 0x0D   | CapSensitivity0_1   | 7:4  | CAP0 Sensitivity - Common Sensitivity |   |                |        |
|  |                     | 3:0  | CAP1 Sensitivity                      |   |                |        |
| 0x0E   | CapSensitivity2_3   | 7:4  | CAP2 Sensitivity                      |   |                |        |
|  |                     | 3:0  | CAP3 Sensitivity                      |   |                |        |
| 0x0F   | CapSensitivity4_5   | 7:4  | CAP4 Sensitivity                      |   |                |        |
|  |                     | 3:0  | CAP5 Sensitivity                      |   |                |        |
| 0x10   | CapSensitivity6_7   | 7:4  | CAP6 Sensitivity                      |   |                |        |
|  |                     | 3:0  | CAP7 Sensitivity                      |   |                |        |
| 0x11   | CapSensitivity8_9   | 7:4  | CAP8 Sensitivity                      |   |                |        |
|  |                     | 3:0  | CAP9 Sensitivity                      |   |                |        |
| 0x12   | CapSensitivity10_11 | 7:4  | CAP10 Sensitivity                     |   |                |        |
|  |                     | 3:0  | CAP11 Sensitivity                     |   |                |        |
| 0x13   | CapThresh0          | 7:0  | CAP0 Touch Threshold                  |   |                |        |
| 0x14   | CapThresh1          | 7:0  | CAP1 Touch Threshold                  |   |                |        |
| 0x15   | CapThresh2          | 7:0  | CAP2 Touch Threshold                  |   |                |        |
| 0x16   | CapThresh3          | 7:0  | CAP3 Touch Threshold                  |   |                |        |
| 0x17   | CapThresh4          | 7:0  | CAP4 Touch Threshold                  |   |                |        |
| 0x18   | CapThresh5          | 7:0  | CAP5 Touch Threshold                  |   |                |        |
| 0x19   | CapThresh6          | 7:0  | CAP6 Touch Threshold                  |   |                |        |
| Defines the Touch Threshold ticks.<br>0x00: 0,<br>0x01: 4,<br>...<br>0xA0: 640 (default),<br>...<br>0xFF: 1020 |                     |      |                                       |   |                |        |

**ADVANCED COMMUNICATIONS & SENSING DATASHEET**

| Capacitive Sensors Parameters |             |      |  |
|-------------------------------|-------------|------|--|
| Address                       | Name        | Bits | Description  |
| 0x1A                          | CapThresh7  | 7:0  | CAP7 Touch Threshold   |
| 0x1B                          | CapThresh8  | 7:0  | CAP8 Touch Threshold   |
| 0x1C                          | CapThresh9  | 7:0  | CAP9 Touch Threshold   |
| 0x1D                          | CapThresh10 | 7:0  | CAP10 Touch Threshold  |
| 0x1E                          | CapThresh11 | 7:0  | CAP11 Touch Threshold  |
| 0x1F                          | CapPerComp  | 7:4  | Reserved   |
|                               |             | 3:0  | Periodic Offset Compensation<br>Defines the periodic offset compensation.<br>0x0: OFF (default)<br>0x1: 1 second<br>0x2: 2 seconds<br>...<br>0x7: 7 seconds<br>0x8: 16 seconds<br>0x9: 18 seconds<br>...<br>0xE: 28 seconds<br>0xF: 60 seconds |

Table 15 Capacitive Sensors Parameters

CapModeMisc

By default the ASI is using a common sensitivity for all capacitive sensors as in the usual case overlay material and sensors sizes are about equal. The register bits CapSensitivity0\_1[7:4] determine the sensitivity for all sensors in common sensitivity mode.

In special applications it might be required to have a different, individual, sensitivity for each CAP pin. This can be obtained by setting bit CapModeMisc[2]. The individual sensitivity mode results in longer sensing periods than required in common sensitivity mode.

CapMode11\_8, CapMode7\_4, CapMode3\_0:

The CAP pins can be set as a button, part of a wheel or disabled depending on the application.

|         | minimum                  | default                 | maximum                    |
|---------|--------------------------|-------------------------|----------------------------|
| buttons | zero                     | six                     | eight                      |
| wheel   | one<br>(of four sensors) | one<br>(of six sensors) | one<br>(of twelve sensors) |

Table 16 Possible CAP pin modes

**ADVANCED COMMUNICATIONS & SENSING DATASHEET**

Buttons and disabled CAP pins can be attributed freely (examples in Figure 46).

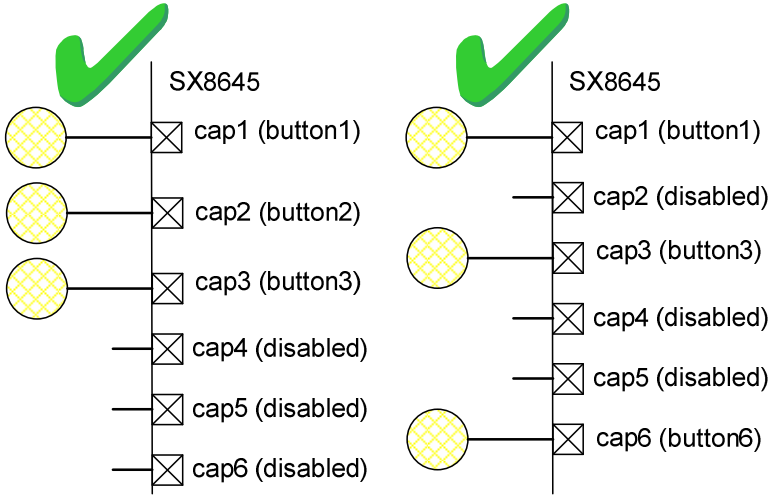


Figure 46 Button examples

Disabled CAP pins inside the wheel sensor attribution sequence are allowed, but CAP buttons inside a wheel are not allowed (see example Figure 47 with CAP3 in a correct and a not allowed configuration).

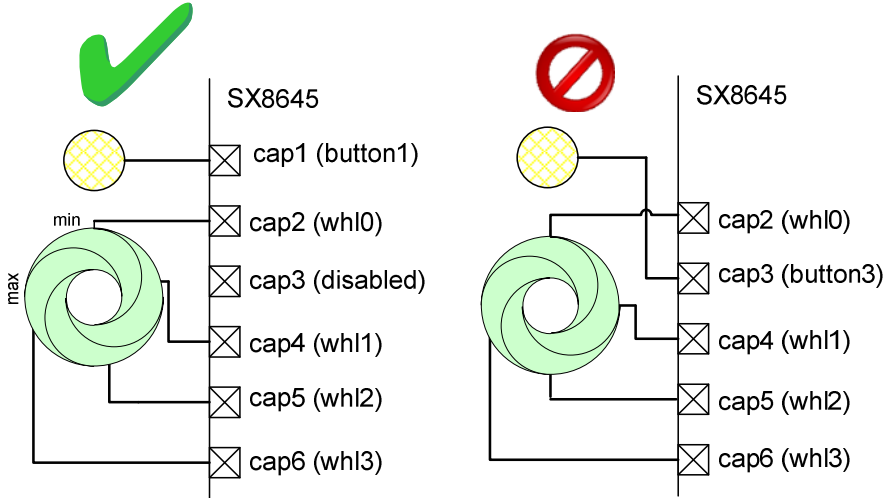


Figure 47 Button and Wheel good/bad configuration examples (I)

The physical order of the wheel sensors on the PCB should correspond to the incremental CAP pin numbers. Crossing wheel PCB sensors and CAP number is not allowed. Figure 48 shows a valid configuration and a wrong configuration where CAP5 and CAP6 are not routed correctly on the PCB.

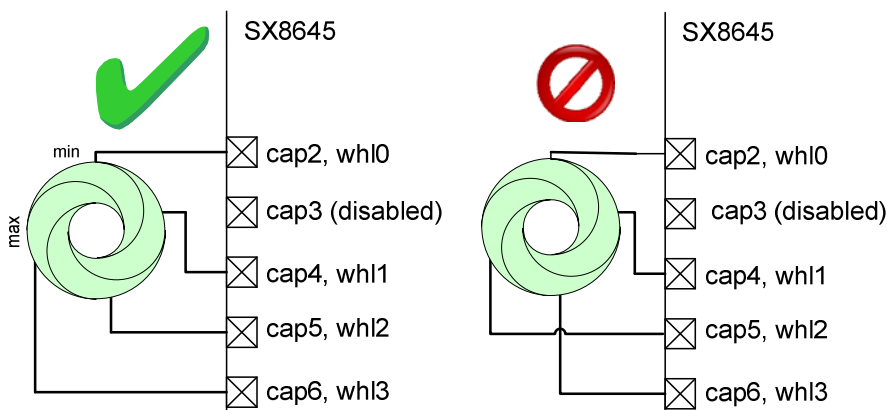


Figure 48 Button and Wheel good/bad configuration examples (II)

The minimum position of the wheel is associated to the CAP pin, attributed to the wheel, with the lowest index (in Figure 48 this is CAP2).

The maximum position of the wheel is associated to the CAP pin, attributed to the wheel, with the highest index (in Figure 48 this is CAP6).

CapSensitivity0\_1, CapSensitivity2\_3, CapSensitivity4\_5,  
CapSensitivity6\_7, CapSensitivity8\_9, CapSensitivity10\_11:

The sensitivity of the sensors can be set between 8 values. The higher the sensitivity is set the larger the value of the ticks will be.

The minimum sensitivity can be used for thin overlay materials and large sensors, while the maximum sensitivity is required for thicker overlay and smaller sensors.

The required sensitivity needs to be determined during a product development phase. Too low sensitivity settings result in missing touches. Too high sensitivity settings will result in fault detection of fingers hovering above the sensors.

The sensitivity is identical for all sensors in common sensitivity mode using the bits CapSensitivity0\_1[7:4] and can be set individually using register CapModeMisc[2].

The maximum number of ticks that can be obtained depends on the selected sensitivity as illustrated in Table 17.

| Sensitivity | Approximate Maximum Tick Level |
|-------------|--------------------------------|
| 0           | 1000                           |
| 1           | 2000                           |
| 2           | 3000                           |
| 3           | 4000                           |
| 4           | 5000                           |
| 5           | 6000                           |
| 6           | 7000                           |
| 7           | 8000                           |

Table 17 ASI Maximum Tick Levels

CapThresh0, CapThresh1, CapThresh2, CapThresh3, CapThresh4, CapThresh5, CapThresh6, CapThresh7, CapThresh8, CapThresh9, CapThresh10, CapThresh11:

For each CAP pin a threshold level can be set individually.

The threshold levels are used by the SX8645 for making touch and release decisions on e.g. touch or no-touch.

The details are explained in the sections for buttons and wheel.

CapPerComp:

The SX8645 offers a periodic offset compensation for applications which are subject to substantial environmental changes. The periodic offset compensation is done at a defined interval and only if wheel and buttons are released.

## 5.4 Button Parameters

| Button Parameters |                   |      |   |
|-------------------|-------------------|------|---|
| Address           | Name              | Bits | Description   |
| 0x21              | BtnCfg            | 7:6  | Defines the buttons events reporting method.<br>00: Multiple reporting of all touches and releases (default)<br>01: Single reporting of the first button touch. Next button touches and releases are ignored until release of the first button.<br>10: Reserved<br>11: Reserved |
|                   |                   | 5:4  | Defines the buttons interrupt (for all buttons)<br>00 : Interrupts masked<br>01 : Triggered on Touch<br>10 : Triggered on Release<br>11 : Triggered on Touch and Release (default)  |
|                   |                   | 3:2  | Defines the number of samples at the scan period for determining a release<br>00: OFF, use incoming sample (default)<br>01: 2 samples debounce<br>10: 3 samples debounce<br>11: 4 samples debounce  |
|                   |                   | 1:0  | Defines the number of samples at the scan period for determining a touch<br>00: OFF, use incoming sample (default)<br>01: 2 samples debounce<br>10: 3 samples debounce<br>11: 4 samples debounce  |
| 0x22              | BtnAvgThresh      | 7:0  | Defines the positive threshold for disabling the processing filter averaging. If ticks are above the threshold, then the averaging is suspended<br>0x00: 0<br>0x01: 4<br>...<br>0x50: 320 (default)<br>...<br>0xFF: 1020  |
| 0x23              | BtnCompNegThresh  | 7:0  | Defines the negative offset compensation threshold.<br>0x00: 0<br>0x01: 4<br>...<br>0x50: 320 (default)<br>...<br>0xFF: 1020  |
| 0x24              | BtnCompNegCntMax  | 7:0  | Defines the number of ticks (below the negative offset compensation threshold) which will initiate an offset compensation.<br>0x00: Reserved<br>0x01: 1 sample (default)<br>...<br>0xFF-> samples   |
| 0x25              | BtnHysteresis     | 7:0  | Defines the button hysteresis corresponding to a percentage of the CAP thresholds (defined in Table 18).<br>0x00: 0%<br>...<br>0x0A: 10% (default)<br>...<br>0x64: 100%<br>All buttons use the same hysteresis  |
| 0x26              | BtnStuckAtTimeout | 7:0  | Defines the stuck at timeout.<br>0x00: OFF (default)  |

| Button Parameters |      |      |  |
|-------------------|------|------|--|
| Address           | Name | Bits | Description                                |
|                   |      |      | 0x01: 1 second<br>...<br>0xFF: 255 seconds |

Table 18 Button Configuration Parameters

A reliable button operation requires a coherent setting of the registers. Figure 49 shows an example of a touch and a release. The ticks will vary slightly around the zero idle state. When the touch occurs the ticks will rise sharply. At the release of the button the ticks will go down rapidly and converge to the idle zero value.

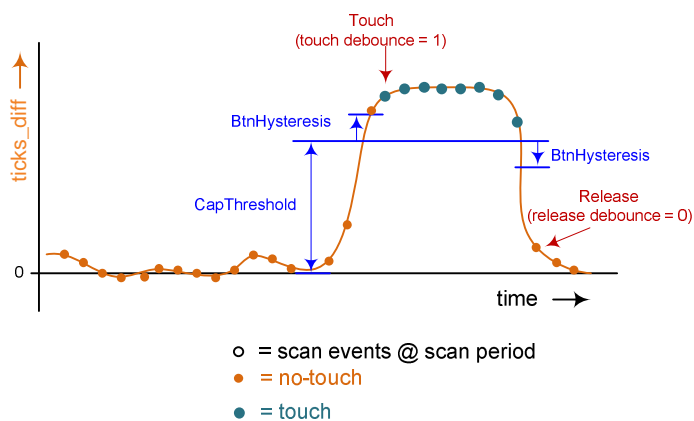


Figure 49 Touch and Release Example

As soon as the ticks become larger than the CAP thresholds (see registers of the previous section) plus the hysteresis (defined in register BtnHysteresis) the debounce counter starts. In the example of Figure 49 the touch is validated after 2 samples (BtnCfg [1:0] = 01). The release is detected immediately (BtnCfg [3:2] = 00) at the first sample which is below the threshold minus the hysteresis.

**BtnCfg**

The SX8645 can report all touches of multiple fingers or the SX8645 can be set to report only the first detected touch. In the later case all succeeding touches are ignored. The very first touch should be released before a next touch will be detected.

The user can select to have the interrupt signal on touching a button, releasing a button or both

In noisy environments it may be required to debounce the touch and release detection decision. In case the debounce is enabled the SX8645 will count up to the number of debounce samples BtnCfg [1:0], BtnCfg [3:2] before taking a touch or release decision. The sample period is identical to the scan period.

**BtnAvgThresh**

Small environmental and system noise cause the ticks to vary slowly around the zero idle mode value. In case the ticks get slightly positive this is considered as normal operation. Very large positive tick values indicate a valid touch. The averaging filter is disabled as soon as the average reaches the value defined by



BtnAvgThresh. This mechanism avoids that a valid touch will be averaged and finally the tick difference becomes zero.

In case three or more sensors reach the BtnAvgThresh value simultaneously then the SX8645 will start an offset compensation procedure.

Small environmental and system noise cause the ticks to vary slowly around the zero idle mode value. In case the ticks get slightly negative this is considered as normal operation. However large negative values will trigger an offset compensation phase and a new set of DCVs will be obtained. The decision to trigger a compensation phase based on negative ticks is determined by the value in the register BtnCompNegThresh and by the number of ticks below the negative thresholds defined in register BtnCompNegCntMax. An example is shown in Figure 50.

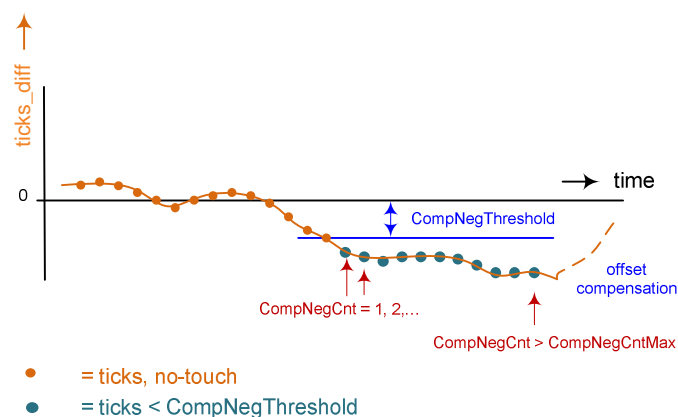


Figure 50 Negative Ticks Offset Compensation Trigger

#### BtnCompNegThresh

Small negative ticks are considered as normal operation and will occur very often. Larger negative ticks however need to be avoided and a convenient method is to trigger an offset compensation phase. The new set of DCV will assure the idle ticks will be close to zero again. A trade-off has to be found for the value of this register. A negative threshold too close to zero will trigger a compensation phase very often. A very negative threshold will never trigger.

#### BtnCompNegCntMax

As soon as the ticks get smaller than the Negative Threshold the Negative Counter starts to count. If the counter goes beyond the Negative Counter Max then the offset compensation phase is triggered. The recommended value for this register is '1' which means that the offset compensation starts on the first tick below the negative threshold.

#### BtnHysteresis

The hysteresis percentage is identical for all buttons.  
A touch is detected if the ticks are getting larger as the value defined by:  
 $\text{CapThreshold} + \text{CapThreshold} * \text{hysteresis}$ .

A release is detected if the ticks are getting smaller as the value defined by:  
 $\text{CapThreshold} - \text{CapThreshold} * \text{hysteresis}$ .

#### BtnStuckAtTimeout

The stuckat timer can avoid sticky buttons.

If the stuckat timer is set to one second then the touch of a finger will last only for one second and considered released, even if the finger remains on the button for a longer time. After the actual finger release the button can be touched again and will be reported as usual.

In case the stuckat timer is not required it can be set to zero.

## 5.5 Wheel Parameters

| Wheel Parameters |                   |   |   |
|------------------|-------------------|---|---|
| Address          | Name              | Bits  | Description   |
| 0x27             | WhlCfg            | 7:4   | Reserved  |
|                  |                   | 3:2   | Defines the number of samples at the scan period for determining a release<br>00: OFF, use incoming sample (default)<br>01: 2 samples debounce<br>10: 3 samples debounce<br>11: 4 samples debounce                          |
|                  |                   | 1:0   | Defines the number of samples at the scan period for determining a touch<br>00: OFF, use incoming sample (default)<br>01: 2 samples debounce<br>10: 3 samples debounce<br>11: 4 samples debounce                            |
| 0x28             | WhlStuckAtTimeout | 7:0   | Defines the stuck at timeout.<br>0x00: OFF (default)<br>0x01: 1 second<br>...<br>0xFF: 255 seconds  |
| 0x29             | WhlHysteresis     | 7:0   | Defines the Wheel Touch/Release Hysteresis.<br>0x00: 0<br>0x01: 4<br>...<br>0x03: 12 (default)<br>...<br>0xFF: 1020   |
| 0x2B             | WhlNormMsb        | 7:0   | Wheel Norm Msb  |
| 0x2C             | WhlNormLsb        | 7:0   | Wheel Norm Lsb  |
|                  |                   | Defines the 16 bits wheel norm (default 0x0140) |   |
| 0x2D             | WhlAvgThresh      | 7:0   | Defines the positive threshold for disabling the processing filter averaging.<br>If ticks are above the threshold, then the averaging is suspended<br>0x00: 0<br>0x01: 4<br>...<br>0x50: 320 (default)<br>...<br>0xFF: 1020 |
| 0x2E             | WhlCompNegThresh  | 7:0   | Defines the negative offset compensation threshold.<br>0x00: 0<br>0x01: 4<br>...<br>0x50: 320 (default)<br>...<br>0xFF: 1020  |
| 0x2F             | WhlCompNegCntMax  | 7:0   | Defines the number of ticks (below the negative offset compensation threshold)<br>which will initiate an offset compensation.<br>0x00: Reserved<br>0x01: 1 sample (default)<br>...<br>0xFF: 255 samples                     |
| 0x30             | WhlRotateThresh   | 7:0   | Defines the threshold for detecting a rotate clockwise or counter clockwise.<br>The threshold is a percentage of the maximum wheel position.<br>0x00: 0%<br>...<br>0x02: 2% (default)                                       |

**ADVANCED COMMUNICATIONS & SENSING DATASHEET**

| Wheel Parameters |      |      |  |
|------------------|------|------|--|
| Address          | Name | Bits | Description  |
|                  |      |      | ...<br>0x64: 100%<br>A succeeding position difference, at the scan period, above the threshold is considered as a rotate clockwise or counter clockwise. |

*Table 19 Wheel Parameters*

The pressure represents the finger touch on the sensors of the wheel and it used to determine if a wheel is touched or released.

$$WhlPressure = \sum_{i=0}^{N-1} (ticks\_diff(i) - CapThresh(i))$$

- N is the number of sensors,
- A sensor with ticks smaller than the CapThreshold is not taken into account for calculating the pressure

In case the pressure equals zero the wheel status is released.  
In case the pressure is larger as the Wheel Hysteresis the wheel status is touched.

The position of a finger on a wheel is calculated by the centre of gravity algorithm.

$$WhlPos = \frac{WhlNorm}{32} * \frac{\sum_{i=0}^{N-1} i * (ticks\_diff(i) - CapThresh(i))}{\sum_{i=0}^{N-1} (ticks\_diff(i) - CapThresh(i))}$$

- N is the number of sensors,
- A sensor with ticks smaller than the CapThreshold is not taken into account for calculating the position,
- WhlNorm[15:0] is a 16 bit number determined by WhlNormMsb[15:8] and WhlNormLsb[7:0].
- WhlPos is the wheel position (16 bits) which can be read by the host over the I2C registers WhlPosMsb and WhlPosLsb

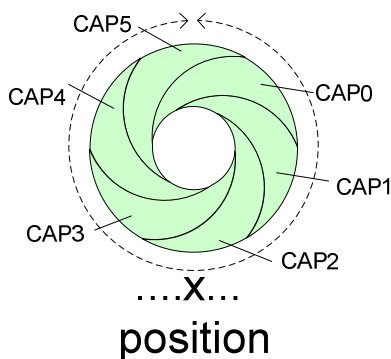


Figure 51 Wheel Position

Figure 51 shows an example of a wheel composed of 6 sensors (CAP0, CAP1... CAP5).  
The default wheel norm value 320 (WhlNormMsb = 0x01, WhlNormLsb = 0x40), is taken for the example.  
A touch on CAP0 gives the wheel position: 0.  
A touch on CAP1 gives the wheel position: 10.  
A touch on CAP5 gives the wheel position: 50.

If a touch occurs on CAP0 and CAP1 the centre of gravity algorithm will interpolate.  
Assuming the touch is identically distributed on CAP0 and CAP1 then the position will be: 5  
Assuming the touch is identically distributed on CAP1 and CAP2 then the position will be: 15  
Assuming the touch is identically distributed on CAP4 and CAP5 then the position will be: 55

The minimum position of a wheel equals 0.  
The maximum position is obtained if the finger is very slightly on CAP5 and heavily on CAP0.

The maximum position (WhlPosMax) is defined by:

$$WhlPosMax = \frac{WhlNorm}{32} \times N$$

with:

N is the number of sensors in the wheel

Slow varying wheel ticks due to environmental changes are handled as buttons in the previous section.

If the ticks pass below the wheel negative threshold for more than the compensation negative max counter then an offset compensation phase will be triggered.

If the ticks pass above the wheel average positive threshold then the averaging filters will be held.

A finger that moves very slowly over the wheel is not considered as a rotation. The status rotate clockwise and rotate counter clockwise will not be set.

A finger that moves faster on the wheel will change the rotation status.

A rotation is detected if the difference of the position for two succeeding samples at the scanning rate goes beyond the rotation threshold (WhlRotateThresh). A large rotation threshold requires very rapid finger rotations, while a small rotation threshold detects more easily rotations but gets sensitive to noise variations as well.

### 5.6 Mapping Parameters

| Mapping Parameters |                     |      |   |   |
|--------------------|---------------------|------|---|---|
| Address            | Name                | Bits | Description   |   |
| 0x33               | MapWakeupSize       | 7:3  | Reserved  |   |
|                    |                     | 2:0  | Doze -> Active wake up sequence size.<br>0: Any sensor event (default)<br>1: key0<br>2: key0, key1<br>...<br>6: key0, key1,...key5<br>7: No sensor event, only GPI or I2C cmd can exit Doze mode<br><br>Each key must be followed by a release to be validated.<br>Any other sensor event before the release is ignored.<br>Any wrong key implies the whole sequence to be entered again. |   |
| 0x34               | MapWakeupValue0     | 7:4  | key5  | Defines the sensor event associated to each key.<br>0x00: Btn0 (default)<br>0x01: Btn1<br>...<br>0x0B: Btn11<br>0x0C: Wheel Touch<br>0x0D: Rotate Counter Clockwise<br>0x0E: Rotate Clockwise<br>0x0F: Reserved   |
|                    |                     | 3:0  | key4  |   |
| 0x35               | MapWakeupValue1     | 7:4  | key3  | ...<br>0x0B: Btn11<br>0x0C: Wheel Touch<br>0x0D: Rotate Counter Clockwise<br>0x0E: Rotate Clockwise<br>0x0F: Reserved   |
|                    |                     | 3:0  | key2  |   |
| 0x36               | MapWakeupValue2     | 7:4  | key1  | ...<br>0x0B: Btn11<br>0x0C: Wheel Touch<br>0x0D: Rotate Counter Clockwise<br>0x0E: Rotate Clockwise<br>0x0F: Reserved   |
|                    |                     | 3:0  | key0  |   |
| 0x37               | MapAutoLight0       | 7:4  | GPIO[7]   | Defines the mapping between GPOs (with Autolight ON) and sensor events.<br>0x00: Btn0 (default)<br>0x01: Btn1<br>...<br>0x0B: Btn11<br>0x0C: Group0 as defined by MapAutoLightGrp0<br>0x0D: Group1 as defined by MapAutoLightGrp1<br>0x0E: Rotate Counter Clockwise<br>0x0F: Rotate Clockwise |
|                    |                     | 3:0  | GPIO[6]   |   |
| 0x38               | MapAutoLight1       | 7:4  | GPIO[5]   | ...<br>0x0B: Btn11<br>0x0C: Group0 as defined by MapAutoLightGrp0<br>0x0D: Group1 as defined by MapAutoLightGrp1<br>0x0E: Rotate Counter Clockwise<br>0x0F: Rotate Clockwise  |
|                    |                     | 3:0  | GPIO[4]   |   |
| 0x39               | MapAutoLight2       | 7:4  | GPIO[3]   | ...<br>0x0B: Btn11<br>0x0C: Group0 as defined by MapAutoLightGrp0<br>0x0D: Group1 as defined by MapAutoLightGrp1<br>0x0E: Rotate Counter Clockwise<br>0x0F: Rotate Clockwise  |
|                    |                     | 3:0  | GPIO[2]   |   |
| 0x3A               | MapAutoLight3       | 7:4  | GPIO[1]   | Several GPOs can be mapped to the same sensor event and will be controlled simultaneously.  |
|                    |                     | 3:0  | GPIO[0]   |   |
| 0x3B               | MapAutoLightGrp0Msb | 7    | Reserved  |   |
|                    |                     | 6    | Segment   | Defines Group0 sensor events:<br>0: OFF (default)<br>1: ON  |
|                    |                     | 5    | Rotate Clockwise  |   |
|                    |                     | 4    | Rotate Counter Clockwise  | If any of the enabled sensor events occurs the Group0 event will occur as well.   |
|                    |                     | 3    | Btn11   |   |
|                    |                     | 2    | Btn10   | All sensors events within the group can be independently set except wheel event Segment which is exclusive (ie must be the only one enabled to be used)   |
|                    |                     | 1    | Btn9  |   |
|                    |                     | 0    | Btn8  |   |
| 0x3C               | MapAutoLightGrp0Lsb | 7    | Btn7  |   |
|                    |                     | 6    | Btn6  |   |
|                    |                     | 5    | Btn5  |   |
|                    |                     | 4    | Btn4  |   |
|                    |                     | 3    | Btn3  |   |

| Mapping Parameters |                      |      |  |
|--------------------|----------------------|------|--|
| Address            | Name                 | Bits | Description  |
|                    |                      | 2    | Btn2   |
|                    |                      | 1    | Btn1   |
|                    |                      | 0    | Btn0   |
| 0x3D               | MapAutoLightGrp1Msb  | 7    | Reserved   |
|                    |                      | 6    | Wheel Touch  |
|                    |                      | 5    | Rotate Clockwise   |
|                    |                      | 4    | Rotate Counter Clockwise   |
|                    |                      | 3    | Btn11  |
|                    |                      | 2    | Btn10  |
|                    |                      | 1    | Btn9   |
|                    |                      | 0    | Btn8   |
| 0x3E               | MapAutoLightGrp1Lsb  | 7    | Btn7   |
|                    |                      | 6    | Btn6   |
|                    |                      | 5    | Btn5   |
|                    |                      | 4    | Btn4   |
|                    |                      | 3    | Btn3   |
|                    |                      | 2    | Btn2   |
|                    |                      | 1    | Btn1   |
|                    |                      | 0    | Btn0   |
| 0x3F               | MapSegmentHysteresis | 7:0  | <p>Defines the position hysteresis for detecting a segment change. The hysteresis is defined as a percentage of the maximum wheel position.</p> <p>0x00: 0%<br/>...<br/>0x02: 2% (default)<br/>...<br/>0x64: 100%</p> <p>This hysteresis applies to all segments of the wheel.</p> |

Table 20 Mapping Parameters

**MapWakeupSize**

The number of keys defining the wakeup sequence can be set from 1 to 6. If the size is set to 0 then wakeup is done on any sensor event. if the size is set to 6 then wakeup is done only by GPI or an I2C command.

**MapWakeupValue0, MapWakeupValue1, MapWakeupValue2**

For the wakeup sequence Btn2 -> Btn5 -> Btn6 -> Btn0 the required register settings are:

- MapWakeupSize set to 0x04,
- key0 = 0x2
- key1 = 0x5
- => MapWakeupValue2 set to 0x52
- key2 = 0x6



- key3 = 0x0
- => MapWakeupValue2 set to 0x06

MapAutoLight0, MapAutoLight1, MapAutoLight2, MapAutoLight3  
MapAutoLightGrp0Msb, MapAutoLightGrp0Lsb, MapAutoLightGrp1Msb, MapAutoLightGrp1Lsb

These registers define the mapping between the GPO pins (with Autolight ON) and the sensor information which will control its ON/OFF state.

The mapping can be done to a specific sensor event but also on groups (in this case any sensor event in the group will control the GPO).

Table 21 defines for each selectable sensor event, which action will trigger corresponding GPO to switch ON or OFF.

| MapAutoLight                      | GPO ON                      | GPO OFF                                |
|-----------------------------------|-----------------------------|--|
| BtnX                              | Touch                       | Release                                |
| Wheel Touch                       | Touch                       | Release                                |
| Wheel Rotation Clock Wise         | Rotation Clock Wise         | Rotation Clock Counter Wise or Release |
| Wheel Rotation Counter Clock Wise | Rotation Counter Clock Wise | Rotation Clock Wise or Release         |
| Wheel Segment                     | Segment Touched             | Segment Released                       |

*Table 21 Autolight Mapping, Sensor Information*

Examples:

- If GPO[0] should change state accordingly to Btn4 then MapAutoLight3[3:0] should be set to 0x04.
- If GPO[0] should change state accordingly to Btn0 or Btn1 then Group0 can be used as following:
  - MapAutoLight3[3:0] should be set to 0x0C (ie Group0).
  - MapAutoLightGrp0 should be set to 0x0003 (ie Btn0 or Btn1)

When the Wheel Segment event is mapped, the number of GPOs mapped to it determines the number of wheel segments. The GPO with the lowest pin index is mapped on the segment with the smallest positions.

E.g. if two GPOs (e.g. GPO[0] and GPO[1]) are mapped to the Wheel Segment event then the wheel is split in two segments. GPO[0] will turn ON for a touch on the wheel segment [0, WhlPosMax/2] and GPO[1] for a touch on the wheel segment [WhlPosMax/2, WhlPosMax].

## 5.7 GPIO Parameters

| GPIO Parameters |                  |      |                                  |   |
|-----------------|------------------|------|----------------------------------|---|
| Address         | Name             | Bits | Description                      |   |
| 0x40            | GpioMode7_4      | 7:6  | GPIO[7] Mode                     | Defines the GPIO mode.<br>00: GPO (default)<br>01: GPP<br>10: GPI<br>11: Reserved   |
|                 |                  | 5:4  | GPIO[6] Mode                     |   |
|                 |                  | 3:2  | GPIO[5] Mode                     |   |
|                 |                  | 1:0  | GPIO[4] Mode                     |   |
| 0x41            | GpioMode3_0      | 7:6  | GPIO[3] Mode                     |   |
|                 |                  | 5:4  | GPIO[2] Mode                     |   |
|                 |                  | 3:2  | GPIO[1] Mode                     |   |
|                 |                  | 1:0  | GPIO[0] Mode                     |   |
| 0x42            | GpioOutPwrUp     | 7:0  | GPIO[7] Output Value at Power Up | Defines the values of GPO and GPP pins after power up ie default values of I2C parameters GpoCtrl and GppIntensity respectively.<br>0: OFF(GPO) / IntensityOff (GPP) (default)<br>1: ON (GPO) / IntensityOn (GPP) |
|                 |                  |      | GPIO[6] Output Value at Power Up |   |
|                 |                  |      | GPIO[5] Output Value at Power Up |   |
|                 |                  |      | GPIO[4] Output Value at Power Up |   |
|                 |                  |      | GPIO[3] Output Value at Power Up | Bits corresponding to GPO pins with Autolight ON should be left to 0.   |
|                 |                  |      | GPIO[2] Output Value at Power Up |   |
|                 |                  |      | GPIO[1] Output Value at Power Up |   |
|                 |                  |      | GPIO[0] Output Value at Power Up |   |
| 0x43            | GpioAutoLight    | 7:0  | GPIO[7] AutoLight                | Enables Autolight in GPO mode<br>0 : OFF<br>1 : ON (default)  |
|                 |                  |      | GPIO[6] AutoLight                |   |
|                 |                  |      | GPIO[5] AutoLight                |   |
|                 |                  |      | GPIO[4] AutoLight                |   |
|                 |                  |      | GPIO[3] AutoLight                |   |
|                 |                  |      | GPIO[2] AutoLight                |   |
|                 |                  |      | GPIO[1] AutoLight                |   |
|                 |                  |      | GPIO[0] AutoLight                |   |
| 0x44            | GpioPolarity     | 7:0  | GPIO[7] Output Polarity          | Defines the polarity of the GPO and GPP pins.<br>0: Inverted (default)<br>1: Normal   |
|                 |                  |      | GPIO[6] Output Polarity          |   |
|                 |                  |      | GPIO[5] Output Polarity          |   |
|                 |                  |      | GPIO[4] Output Polarity          |   |
|                 |                  |      | GPIO[3] Output Polarity          |   |
|                 |                  |      | GPIO[2] Output Polarity          |   |
|                 |                  |      | GPIO[1] Output Polarity          |   |
|                 |                  |      | GPIO[0] Output Polarity          |   |
| 0x45            | GpioIntensityOn0 | 7:0  | ON Intensity Index               | Defines the ON intensity index<br>0x00: 0<br>0x01: 1  |
| 0x46            | GpioIntensityOn1 |      |                                  |   |
| 0x47            | GpioIntensityOn2 |      |                                  |   |

| GPIO Parameters |                   |      |                                 |   |
|-----------------|-------------------|------|---------------------------------|---|
| Address         | Name              | Bits | Description                     |   |
| 0x48            | GpioIntensityOn3  |      |                                 | ...<br>0xFF: 255 (default)  |
| 0x49            | GpioIntensityOn4  |      |                                 |   |
| 0x4A            | GpioIntensityOn5  |      |                                 |   |
| 0x4B            | GpioIntensityOn6  |      |                                 |   |
| 0x4C            | GpioIntensityOn7  |      |                                 |   |
| 0x4D            | GpioIntensityOff0 | 7:0  | OFF Intensity Index             | Defines the OFF intensity index<br>0x00: 0 (default)<br>0x01: 1<br>...<br>0xFF: 255   |
| 0x4E            | GpioIntensityOff1 |      |                                 |   |
| 0x4F            | GpioIntensityOff2 |      |                                 |   |
| 0x50            | GpioIntensityOff3 |      |                                 |   |
| 0x51            | GpioIntensityOff4 |      |                                 |   |
| 0x52            | GpioIntensityOff5 |      |                                 |   |
| 0x53            | GpioIntensityOff6 |      |                                 |   |
| 0x54            | GpioIntensityOff7 |      |                                 |   |
| 0x56            | GpioFunction      | 7:0  | GPIO[7] Function                | Defines the intensity index vs PWM pulse width function.<br>0: Logarithmic (default)<br>1: Linear   |
|                 |                   |      | GPIO[6] Function                |   |
|                 |                   |      | GPIO[5] Function                |   |
|                 |                   |      | GPIO[4] Function                |   |
|                 |                   |      | GPIO[3] Function                |   |
|                 |                   |      | GPIO[2] Function                |   |
|                 |                   |      | GPIO[1] Function                |   |
|                 |                   |      | GPIO[0] Function                |   |
| 0x57            | GpioIncFactor     | 7:0  | GPIO[7] Fading Increment Factor | Defines the fading increment factor.<br>0: 1, intensity index incremented every increment time (default)<br>1: 16, intensity index incremented every 16 increment times |
|                 |                   |      | GPIO[6] Fading Increment Factor |   |
|                 |                   |      | GPIO[5] Fading Increment Factor |   |
|                 |                   |      | GPIO[4] Fading Increment Factor |   |
|                 |                   |      | GPIO[3] Fading Increment Factor |   |
|                 |                   |      | GPIO[2] Fading Increment Factor |   |
|                 |                   |      | GPIO[1] Fading Increment Factor |   |
|                 |                   |      | GPIO[0] Fading Increment Factor |   |
| 0x58            | GpioDecFactor     | 7:0  | GPIO[7] Fading Decrement Factor | Defines the fading decrement factor.<br>0: 1, intensity index decremented every decrement time (default)<br>1: 16, intensity index decremented every 16 decrement times |
|                 |                   |      | GPIO[6] Fading Decrement Factor |   |
|                 |                   |      | GPIO[5] Fading Decrement Factor |   |
|                 |                   |      | GPIO[4] Fading Decrement Factor |   |
|                 |                   |      | GPIO[3] Fading Decrement Factor |   |
|                 |                   |      | GPIO[2] Fading Decrement Factor |   |
|                 |                   |      | GPIO[1] Fading Decrement Factor |   |
|                 |                   |      | GPIO[0] Fading Decrement Factor |   |
| 0x59            | GpioIncTime7_6    | 7:4  | GPIO[7] Fading Increment Time   | Defines the fading increment time.  |

| GPIO Parameters |                   |      |                               |   |
|-----------------|-------------------|------|-------------------------------|---|
| Address         | Name              | Bits | Description                   |   |
| 0x5A            | GpioIncTime5_4    | 3:0  | GPIO[6] Fading Increment Time | 0x0: OFF (default)  |
|                 |                   | 7:4  | GPIO[5] Fading Increment Time | 0x1: 0.5ms  |
|                 |                   | 3:0  | GPIO[4] Fading Increment Time | 0x2: 1ms  |
| 0x5B            | GpioIncTime3_2    | 7:4  | GPIO[3] Fading Increment Time | ...   |
|                 |                   | 3:0  | GPIO[2] Fading Increment Time | 0xF: 7.5ms  |
| 0x5C            | GpioIncTime1_0    | 7:4  | GPIO[1] Fading Increment Time | The total fading in time will be:<br>GpioIncTime*GpioIncFactor*<br>(GpioIntensityOn – GpioIntensityOff)   |
|                 |                   | 3:0  | GPIO[0] Fading Increment Time |   |
| 0x5D            | GpioDecTime7_6    | 7:4  | GPIO[7] Fading Decrement Time | Defines the fading decrement time.<br>0x0: OFF  |
|                 |                   | 3:0  | GPIO[6] Fading Decrement Time |   |
| 0x5E            | GpioDecTime5_4    | 7:4  | GPIO[5] Fading Decrement Time | 0x2: 1ms  |
|                 |                   | 3:0  | GPIO[4] Fading Decrement Time | ...   |
| 0x5F            | GpioDecTime3_2    | 7:4  | GPIO[3] Fading Decrement Time | 0x4: 2.0ms (default)  |
|                 |                   | 3:0  | GPIO[2] Fading Decrement Time | ...   |
| 0x60            | GpioDecTime1_0    | 7:4  | GPIO[1] Fading Decrement Time | The total fading out time will be:<br>GpioDecTime*GpioDecFactor*<br>(GpioIntensityOn – GpioIntensityOff)  |
|                 |                   | 3:0  | GPIO[0] Fading Decrement Time |   |
| 0x61            | GpioOffDelay7_6   | 7:4  | GPIO[7] OFF Delay             | Defines the delay after GPO OFF trigger<br>before fading out starts.<br>0x0: OFF (default)  |
|                 |                   | 3:0  | GPIO[6] OFF Delay             |   |
| 0x62            | GpioOffDelay5_4   | 7:4  | GPIO[5] OFF Delay             | 0x2: 400ms  |
|                 |                   | 3:0  | GPIO[4] OFF Delay             | ...   |
| 0x63            | GpioOffDelay3_2   | 7:4  | GPIO[3] OFF Delay             | 0xF: 3000ms   |
|                 |                   | 3:0  | GPIO[2] OFF Delay             |   |
| 0x64            | GpioOffDelay1_0   | 7:4  | GPIO[1] OFF Delay             |   |
|                 |                   | 3:0  | GPIO[0] OFF Delay             |   |
| 0x65            | GpioPullUpDown7_4 | 7:6  | GPIO[7] Pullup/down           | Enables pullup/down resistors for GPI pins.<br>00 : None (default)<br>01 : Pullup<br>10 : Pulldown<br>11 : Reserved   |
|                 |                   | 5:4  | GPIO[6] Pullup/down           |   |
|                 |                   | 3:2  | GPIO[5] Pullup/down           |   |
|                 |                   | 1:0  | GPIO[4] Pullup/down           |   |
| 0x66            | GpioPullUpDown3_0 | 7:6  | GPIO[3] Pullup/down           |   |
|                 |                   | 5:4  | GPIO[2] Pullup/down           |   |
|                 |                   | 3:2  | GPIO[1] Pullup/down           |   |
|                 |                   | 1:0  | GPIO[0] Pullup/down           |   |
| 0x67            | GpioInterrupt7_4  | 7:6  | GPI[7] Interrupt              | Defines the GPI edge which will trigger INTB<br>falling edge and exit Sleep/Doze modes if<br>relevant.<br>00 : None (default)<br>01 : Rising<br>10 : Falling<br>11 : Both |
|                 |                   | 5:4  | GPI[6] Interrupt              |   |
|                 |                   | 3:2  | GPI[5] Interrupt              |   |
|                 |                   | 1:0  | GPI[4] Interrupt              |   |
| 0x68            | GpioInterrupt3_0  | 7:6  | GPI[3] Interrupt              |   |
|                 |                   | 5:4  | GPI[2] Interrupt              |   |
|                 |                   | 3:2  | GPI[1] Interrupt              |   |

**ADVANCED COMMUNICATIONS & SENSING DATASHEET**

| GPIO Parameters |  |      |   |                 |  |                 |                 |                 |                 |                 |                 |                 |
|-----------------|--|------|---|-----------------|--|-----------------|-----------------|-----------------|-----------------|-----------------|-----------------|-----------------|
| Address         | Name   | Bits | Description   |                 |  |                 |                 |                 |                 |                 |                 |                 |
|                 |  | 1:0  | GPI[0] Interrupt  |                 |  |                 |                 |                 |                 |                 |                 |                 |
| 0x69            | GpioDebounce   | 7:0  | <table border="1"> <tr> <td>GPI[7] Debounce</td> <td rowspan="8">Enables the GPI debounce (done on 10 consecutive samples at 1ms).<br/>0 : OFF (default)<br/>1 : ON</td> </tr> <tr> <td>GPI[6] Debounce</td> </tr> <tr> <td>GPI[5] Debounce</td> </tr> <tr> <td>GPI[4] Debounce</td> </tr> <tr> <td>GPI[3] Debounce</td> </tr> <tr> <td>GPI[2] Debounce</td> </tr> <tr> <td>GPI[1] Debounce</td> </tr> <tr> <td>GPI[0] Debounce</td> </tr> </table> | GPI[7] Debounce | Enables the GPI debounce (done on 10 consecutive samples at 1ms).<br>0 : OFF (default)<br>1 : ON | GPI[6] Debounce | GPI[5] Debounce | GPI[4] Debounce | GPI[3] Debounce | GPI[2] Debounce | GPI[1] Debounce | GPI[0] Debounce |
| GPI[7] Debounce | Enables the GPI debounce (done on 10 consecutive samples at 1ms).<br>0 : OFF (default)<br>1 : ON |      |   |                 |  |                 |                 |                 |                 |                 |                 |                 |
| GPI[6] Debounce |  |      |   |                 |  |                 |                 |                 |                 |                 |                 |                 |
| GPI[5] Debounce |  |      |   |                 |  |                 |                 |                 |                 |                 |                 |                 |
| GPI[4] Debounce |  |      |   |                 |  |                 |                 |                 |                 |                 |                 |                 |
| GPI[3] Debounce |  |      |   |                 |  |                 |                 |                 |                 |                 |                 |                 |
| GPI[2] Debounce |  |      |   |                 |  |                 |                 |                 |                 |                 |                 |                 |
| GPI[1] Debounce |  |      |   |                 |  |                 |                 |                 |                 |                 |                 |                 |
| GPI[0] Debounce |  |      |   |                 |  |                 |                 |                 |                 |                 |                 |                 |

Table 22 GPIO Parameters

Table 23 resumes the applicable SPM and I2C parameters for each GPIO mode.

|            |                  | GPI | GPP            | GPO            |
|------------|------------------|-----|----------------|----------------|
| <b>SPM</b> | GpioMode         | X   | X              | X              |
|            | GpioOutPwrUp     |     | X <sup>1</sup> | X <sup>2</sup> |
|            | GpioAutoligth    |     |                | X              |
|            | GpioPolarity     |     | X              | X              |
|            | GpioIntensityOn  |     | X <sup>1</sup> | X              |
|            | GpioIntensityOff |     | X <sup>1</sup> | X              |
|            | GpioFunction     |     | X              | X              |
|            | GpioIncFactor    |     |                | X              |
|            | GpioDecFactor    |     |                | X              |
|            | GpioIncTime      |     |                | X              |
|            | GpioDecTime      |     |                | X              |
|            | GpioOffDelay     |     |                | X              |
|            | GpioPullUpDown   | X   |                |                |
|            | GpioInterrupt    | X   |                |                |
|            | GpioDebounce     | X   |                |                |
| <b>I2C</b> | IrqSrc[4]        | X   |                |                |
|            | GpiStat          | X   |                |                |
|            | GpoCtrl          |     |                | X <sup>3</sup> |
|            | GppPinId         |     | X              |                |
|            | GppIntensity     |     | X <sup>1</sup> |                |

<sup>1</sup> At power up, GppIntensity of each GPP pin is initialized with GpioIntensityOn or GpioIntensityOff depending on GpioOutPwrUp corresponding bits value.

<sup>2</sup> Only if Autolight is OFF, else must be left to 0 (default value)

<sup>3</sup> Only if Autolight is OFF, else ignored

Table 23 Applicable SPM/I2C Parameters vs. GPIO Mode

## 6 I2C INTERFACE

The I2C implemented on the SX8645 is compliant with:

- standard (100kb/s), fast mode (400kb/s)
- slave mode
- 7 bit address (default 0x2B). The default address can be changed in the NVM at address 0x04.

The host can use the I2C to read and write data at any time. The effective changes will be applied at the next processing phase (section 3.3).

Three types of registers are considered:

- status (read). These registers give information about the status of the capacitive buttons, wheel, GPIs, operation modes etc...
- control (read/write). These registers control the soft reset, operating modes, GPIOs and offset compensation.
- SPM gateway (read/write). These registers are used for the communication between host and the SPM. The SPM gateway communication is done typically at power up and is not supposed to be changed when the application is running. The SPM needs to be re-stored each time the SX8645 is powered down. The SPM can be stored permanently in the NVM memory of the SX8645. The SPM gateway communication over the I2C at power up is then not required.

The I2C will be able to read and write from a start address and then perform read or writes sequentially, and the address increments automatically.

The supported I2C access formats are described in the next sections.

### 6.1 I2C Write

The format of the I2C write is given in Figure 52.

After the start condition [S], the slave address (SA) is sent, followed by an eighth bit ('0') indicating a Write. The SX8645 then Acknowledges [A] that it is being addressed, and the Master sends an 8 bit Data Byte consisting of the SX8645 Register Address (RA). The Slave Acknowledges [A] and the master sends the appropriate 8 bit Data Byte (WD0). Again the Slave Acknowledges [A]. In case the master needs to write more data, a succeeding 8 bit Data Byte will follow (WD1), acknowledged by the slave [A]. This sequence will be repeated until the master terminates the transfer with the Stop condition [P].

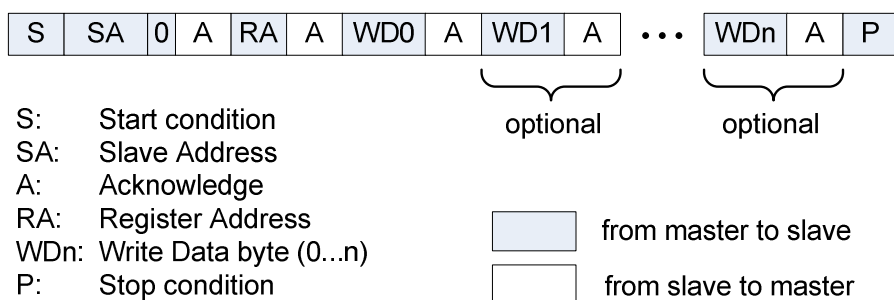


Figure 52 I2C write

The register address is incremented automatically when successive register data (WD1...WDn) is supplied by the master.

**6.2 I2C read**

The format of the I2C read is given in Figure 53.

After the start condition [S], the slave address (SA) is sent, followed by an eighth bit ('0') indicating a Write. The SX8645 then Acknowledges [A] that it is being addressed, and the Master responds with an 8 bit Data consisting of the Register Address (RA). The Slave Acknowledges [A] and the master sends the Repeated Start Condition [Sr]. Once again, the slave address (SA) is sent, followed by an eighth bit ('1') indicating a Read.

The SX8645 responds with an Acknowledge [A] and the read Data byte (RD0). If the master needs to read more data it will acknowledge [A] and the SX8645 will send the next read byte (RD1). This sequence can be repeated until the master terminates with a NACK [N] followed by a stop [P].

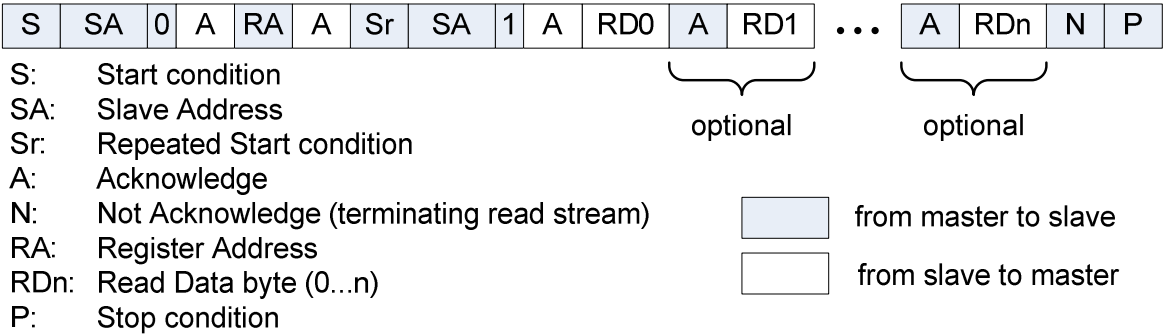


Figure 53 I2C read

## 6.3 I2C Registers Overview

| Address | Name         | R/W        | Description                     |
|---------|--------------|------------|---------------------------------|
| 0x00    | IrqSrc       | read       | Interrupt Source                |
| 0x01    | CapStatMsb   | read       | Wheel/Button Status MSB         |
| 0x02    | CapStatLsb   | read       | Button Status LSB               |
| 0x03    | WhiPosMsb    | read       | Wheel Position MSB              |
| 0x04    | WhiPosLsb    | read       | Wheel Position LSB              |
| 0x05    | Reserved     |            |                                 |
| 0x06    | Reserved     |            |                                 |
| 0x07    | GpiStat      | read       | GPI Status                      |
| 0x08    | SpmStat      | read       | SPM Status                      |
| 0x09    | CompOpMode   | read/write | Compensation and Operating Mode |
| 0x0A    | GpoCtrl      | read/write | GPO Control                     |
| 0x0B    | GppId        | read/write | GPP Pin Selection               |
| 0x0C    | GppIntensity | read/write | GPP Intensity                   |
| 0x0D    | SpmCfg       | read/write | SPM Configuration               |
| 0x0E    | SpmBaseAddr  | read/write | SPM Base Address                |
| 0x0F    | Reserved     |            |                                 |
| 0xAC    | SpmKeyMsb    | read/write | SPM Key MSB                     |
| 0xAD    | SpmkeyLsb    | read/write | SPM Key LSB                     |
| 0xB1    | SoftReset    | read/write | Software Reset                  |

Table 24 I2C Registers Overview



## 6.4 Status Registers

| Address | Name   | Bits | Description                   |
|---------|--------|------|-------------------------------|
| 0x00    | IrqSrc | 7    | Reserved                      |
|         |        | 6    | NVM burn interrupt flag       |
|         |        | 5    | SPM write interrupt flag      |
|         |        | 4    | GPI interrupt flag            |
|         |        | 3    | Wheel interrupt flag          |
|         |        | 2    | Buttons interrupt flag        |
|         |        | 1    | Compensation interrupt flag   |
|         |        | 0    | Operating Mode interrupt flag |

Table 25 Interrupt Source

The delay between the actual event and the flags indicating the interrupt source may be one scan period.

IrqSrc[6] is set once NVM burn procedure is completed.

IrqSrc[5] is set once SPM write is effective.

IrqSrc[4] is set if a GPI edge as programmed in GpioInterrupt occurred. GpiStat shows the detailed status of the GPI pins.

IrqSrc[3] is set if a Wheel event occurred (touch, release, rotation clockwise, rotation counter clockwise or position change). CapStatMsb, WhIPosMsb and WhIPosLsb show the detailed status of the Wheel.

IrqSrc[2] is set if a Button event occurred (touch or release if enabled). CapStatMsb and CapStatLsb show the detailed status of the Buttons.

IrqSrc[1] is set once compensation procedure is completed either through automatic trigger or via host request.

IrqSrc[0] is set when actually entering Active or Doze mode either through automatic wakeup or via host request. CompOpmode shows the current operation mode.

**ADVANCED COMMUNICATIONS & SENSING DATASHEET**

| Address | Name       | Bits | Description                      |
|---------|------------|------|----------------------------------|
| 0x01    | CapStatMsb | 7    | Reserved                         |
|         |            | 6    | Wheel Rotation Clockwise         |
|         |            | 5    | Wheel Rotation Counter Clockwise |
|         |            | 4    | Wheel Touched                    |
|         |            | 3    | Button 11 Touched                |
|         |            | 2    | Button 10 Touched                |
|         |            | 1    | Button 9 Touched                 |
|         |            | 0    | Button 8 Touched                 |
| 0x02    | CapStatLsb | 7    | Button 7 Touched                 |
|         |            | 6    | Button 6 Touched                 |
|         |            | 5    | Button 5 Touched                 |
|         |            | 4    | Button 4 Touched                 |
|         |            | 3    | Button 3 Touched                 |
|         |            | 2    | Button 2 Touched                 |
|         |            | 1    | Button 1 Touched                 |
|         |            | 0    | Button 0 Touched                 |

Table 26 Wheel, Button status MSB/LSB

| Address | Name      | Bits | Description          |
|---------|-----------|------|----------------------|
| 0x03    | WhlPosMsb | 7:0  | Wheel Position[15:8] |
| 0x04    | WhlPosLsb | 7:0  | Wheel Position[7:0]  |

Table 27 Wheel position MSB/LSB

| Address | Name    | Bits | Description   |
|---------|---------|------|---|
| 0x07    | GpiStat | 7:0  | GPI[7:0] Status<br>Status of each individual GPI pin<br>0: Low<br>1: High<br>Bits of non-GPI pins are set to 0. |

Table 28 I2C GPI status

| Address | Name    | Bits | Description   |
|---------|---------|------|---|
| 0x08    | SpmStat | 7:4  | reserved  |
|         |         | 3    | NvmValid<br>Indicates if the current NVM is valid.<br>0: No – QSM is used<br>1: Yes – NVM is used   |
|         |         | 2:0  | NvmCount<br>Indicates the number of times NVM has been burned:<br>0: None – QSM is used (default)<br>1: Once – NVM is used if NvmValid = 1, else QSM.<br>2: Twice – NVM is used if NvmValid = 1, else QSM.<br>3: Three times – NVM is used if NvmValid = 1, else QSM.<br>4: More than three times – QSM is used |

*Table 29 I2C SPM status*

### 6.5 Control Registers

| Address | Name       | Bits | Description   |
|---------|------------|------|---|
| 0x09    | CompOpMode | 7:3  | Reserved*, write only '00000'   |
|         |            | 2    | Compensation<br>Indicates/triggers compensation procedure<br>0: Compensation completed (default)<br>1: read -> compensation running ; write -> trigger compensation |
|         |            | 1:0  | Operating Mode<br>Indicates/programs** operating mode<br>00: Active mode (default)<br>01: Doze mode<br>10: Sleep mode<br>11: Reserved                               |

Table 30 I2C compensation, operation modes

\* The reading of these reserved bits will return varying values.

\*\* After the operating mode change (Active/Doze) the host should wait for INTB or 300ms before performing any I2C read access.

| Address | Name    | Bits | Description  |
|---------|---------|------|--|
| 0x0A    | GpoCtrl | 7:0  | GpoCtrl[7:0]<br>Triggers ON/OFF state of GPOs when Autolight is OFF<br>0: OFF (ie go to IntensityOff)<br>1: ON (ie go to IntensityOn)<br><br>Default is set by SPM parameter GpioOutPwrUp<br>Bits of non-GPO pins are ignored. |

Table 31 I2C GPO Control

| Address | Name     | Bits | Description   |
|---------|----------|------|---|
| 0x0B    | GppPinId | 7:3  | Reserved, write only '00000'  |
|         |          | 2:0  | <p>GPP Pin Identifier</p> <p>Defines the GPP pin to which the GppIntensity is assigned for the following read/write operations<br/>                     0x0 = GPP0 (default)<br/>                     0x1 = GPP1<br/>                     ...<br/>                     0x7 = GPP7</p> <p>GPPx refers to pin GPIOx configured as GPP</p> |

Table 32 I2C GPP Pin Identifier

| Address | Name         | Bits | Description  |
|---------|--------------|------|--|
| 0x0C    | GppIntensity | 7:0  | <p>Defines the intensity index of the GPP pin selected in GppPinId<br/>                     0x00: 0<br/>                     0x01: 1<br/>                     ...<br/>                     0xFF: 255</p> <p>Reading returns the intensity index of the GPP pin selected in GppPinId. Default value is IntensityOn or IntensityOff depending on GpioOutPwrUp.</p> |

Table 33 I2C GPP Intensity

| Address | Name      | Bits | Description  |
|---------|-----------|------|--|
| 0xB1    | SoftReset | 7:0  | Writing 0xDE followed by 0x00 will reset the chip. |

Table 34 I2C Soft Reset

## 6.6 SPM Gateway Registers

The SX8645 I2C interface offers two registers for exchanging the SPM data with the host.

- SpmCfg
- SpmBaseAddr

| Address | Name   | Bits | Description   |
|---------|--------|------|---|
| 0x0D    | SpmCfg | 7:6  | 00: Reserved  |
|         |        | 5:4  | Enables I2C SPM mode<br>00: OFF (default)<br>01: ON<br>10: Reserved<br>11: Reserved |
|         |        | 3    | Defines r/w direction of SPM<br>0: SPM write access (default)<br>1: SPM read access |
|         |        | 2:0  | 000: Reserved   |

Table 35 SPM access configuration

| Address | Name        | Bits | Description   |
|---------|-------------|------|---|
| 0x0E    | SpmBaseAddr | 7:0  | SPM Base Address (modulo 8).<br>The lowest address is 0x00 (default).<br>The highest address is 0x78. |

Table 36 SPM Base Address

The exchange of data, read and write, between the host and the SPM is always done in bursts of eight bytes. The base address of each burst of eight bytes is a modulo 8 number, starting at 0x00 and ending at 0x78.

The registers SpmKeyMsb and SpmKeyLsb are required for NVM programming as described in section 6.7.

| Address | Name      | Bits | Description   |
|---------|-----------|------|---|
| 0xAC    | SpmKeyMsb | 7:0  | SPM to NVM burn Key MSB<br>Unlock requires writing data: 0x62 |

Table 37 SPM Key MSB

| Address | Name      | Bits | Description   |
|---------|-----------|------|---|
| 0xAD    | SpmKeyLsb | 7:0  | SPM to NVM burn Key LSB<br>Unlock requires writing data: 0x9D |

Table 38 SPM Key LSB

6.6.1 SPM Write Sequence

The SPM write can be done in any mode (Active, Doze, Sleep). Writing the SPM in Sleep is useful to avoid potential transient behaviors.

The SPM must always be written in blocks of 8 bytes. The sequence is described below:

1. Set the I2C in SPM mode by writing "01" to SpmCfg[5:4] and SPM write access by writing '0' to SpmCfg[3].
2. Write the SPM base address to SpmBaseAddr (The base address needs to be a value modulo 8).
3. Write the eight consecutive bytes to I2C address 0, 1, 2, ...7
4. Terminate by writing "000" to SpmCfg[5:3].

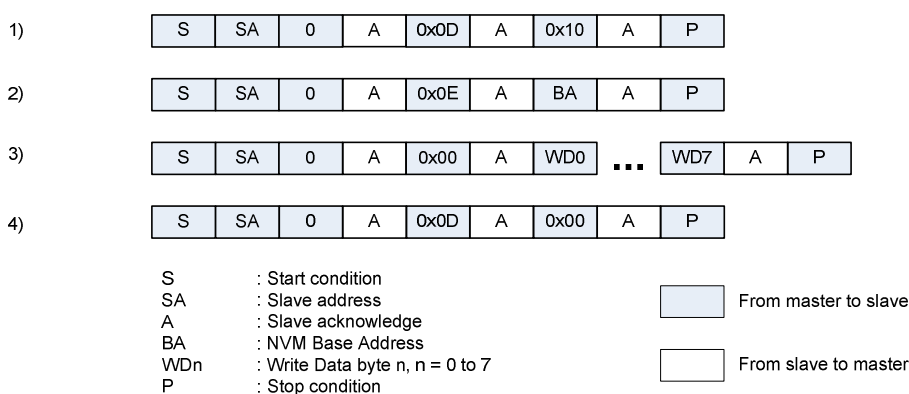


Figure 54: SPM Write Sequence

The complete SPM can be written by repeating 16 times the cycles shown in Figure 54 using base addresses 0x00, 0x08, 0x10, ..., 0x70, 0x78. Between each sequence the host should wait for INTB (Active/Doze) or 30ms in Sleep.

In Active or Doze mode, once the SPM write sequence is actually applied, the INTB pin will be asserted and IrqSrc[5] set. In Sleep mode the SPM write can be actually applied with a delay of 30ms.

The host clears the interrupt and IrqSrc[5] by reading the IrqSrc register.

6.6.2 SPM Read Sequence

The SPM read can be done in any mode (Active, Doze, Sleep).

The SPM must always be read in blocks of 8 bytes. The sequence is described below:

1. Set the I2C in SPM mode by writing "01" to SpmCfg[5:4] and SPM read access by writing '1' to SpmCfg[3].
2. Write the SPM base address to SpmBaseAddr (The base address needs to be a value modulo 8).
3. Read the eight consecutive bytes from I2C address 0, 1, 2, ...7
4. Terminate by writing "000" to SpmCfg[5:3].

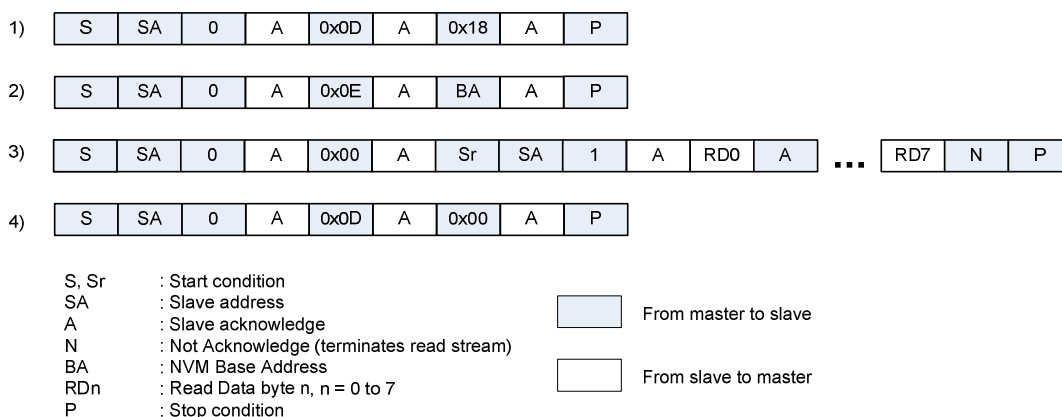


Figure 55: SPM Read Sequence

The complete SPM can be read by repeating 16 times the cycles shown in Figure 55 using base addresses 0x00, 0x08, 0x10, ..., 0x70, 0x78.



### 6.7 NVM burn

The content of the SPM can be copied permanently (burned) into the NVM to be used as the new default parameters. The burning of the NVM can be done up to three times and must be done only when the SPM is completely written with the desired data. The NVM burn must be done in Active or Doze mode.

Once the NVM burn process is terminated IrqSrc[6] will be set and INTB asserted.

After a reset the burned NVM parameters will be copied into the SPM.

The number of times the NVM has been burned can be monitored by reading NvmCount from the I2C register SpmStat[2:0].

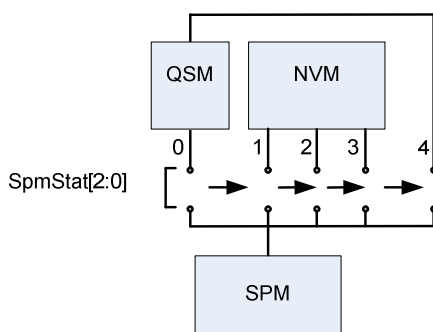


Figure 56 Simplified Diagram NvmCount

Figure 56 shows the simplified diagram of the NVM counter. The SX8645 is delivered with empty NVM and NvmCount set to zero. The SPM points to the QSM.

Each NVM burn will increase the NvmCount. At the fourth NVM burn the SX8645 switches definitely to the QSM.

The burning of the SPM into the NVM is done by executing a special sequence of four I2C commands.

- |  |                                    |
|--|------------------------------------|
| 1. Write the data 0x62 to the I2C register I2CKeyMsb.      | Terminate the I2C write by a STOP. |
| 2. Write the data 0x9D to the I2C register I2CKeyLsb.      | Terminate the I2C write by a STOP. |
| 3. Write the data 0xA5 to the I2C register I2CSpmBaseAddr. | Terminate the I2C write by a STOP. |
| 4. Write the data 0x5A to the I2C register I2CSpmBaseAddr. | Terminate the I2C write by a STOP. |

This is illustrated in Figure 57.

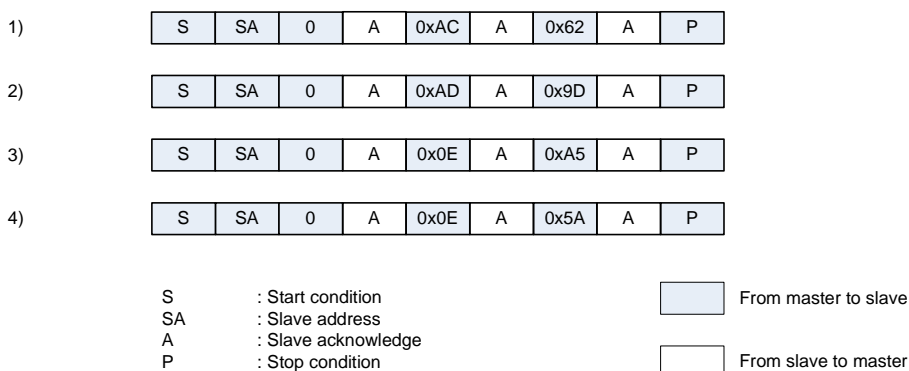


Figure 57: NVM burn procedure

**7 APPLICATION INFORMATION**

A typical application schematic is shown in Figure 58.

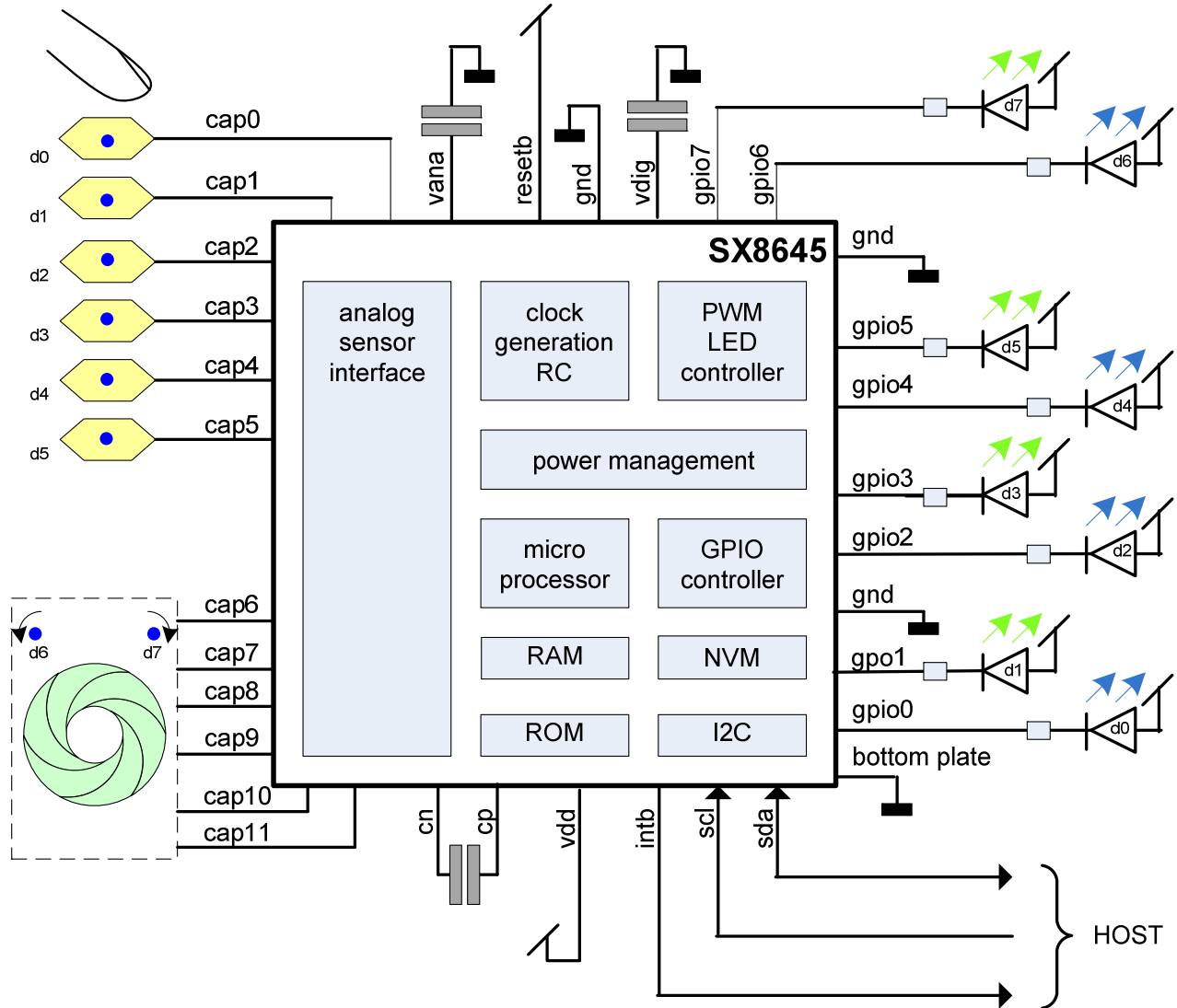


Figure 58 Typical Application

## 8 PACKAGING INFORMATION

### 8.1 Package Outline Drawing

SX8645 is assembled in a MLPQ-W32 package as shown in Figure 59.

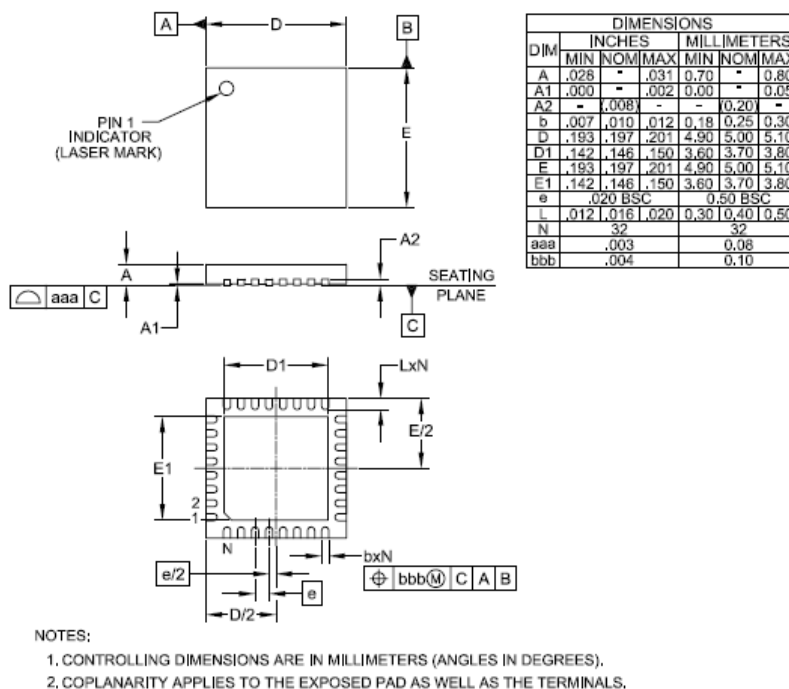
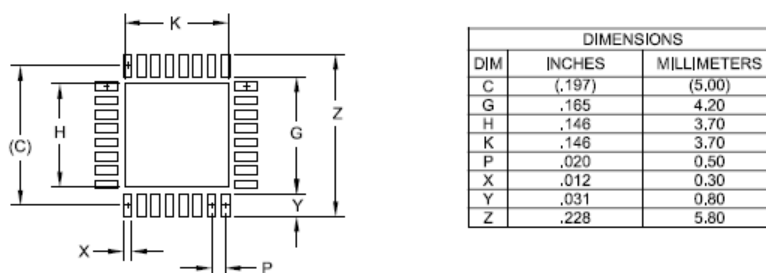


Figure 59 Package Outline Drawing

### 8.2 Land Pattern

The land pattern of MLPQ-W32 package, 5 mm x 5 mm is shown in Figure 60.



- NOTES:  
 1. CONTROLLING DIMENSIONS ARE IN MILLIMETERS (ANGLES IN DEGREES).  
 2. THIS LAND PATTERN IS FOR REFERENCE PURPOSES ONLY. CONSULT YOUR MANUFACTURING GROUP TO ENSURE YOUR COMPANY'S MANUFACTURING GUIDELINES ARE MET.  
 3. THERMAL VIAS IN THE LAND PATTERN OF THE EXPOSED PAD SHALL BE CONNECTED TO A SYSTEM GROUND PLANE. FAILURE TO DO SO MAY COMPROMISE THE THERMAL AND/OR FUNCTIONAL PERFORMANCE OF THE DEVICE.  
 4. SQUARE PACKAGE - DIMENSIONS APPLY IN BOTH "X" AND "Y" DIRECTIONS.

Figure 60 Land Pattern

© Semtech 2010

All rights reserved. Reproduction in whole or in part is prohibited without the prior written consent of the copyright owner. The information presented in this document does not form part of any quotation or contract, is believed to be accurate and reliable and may be changed without notice. No liability will be accepted by the publisher for any consequence of its use. Publication thereof does not convey nor imply any license under patent or other industrial or intellectual property rights. Semtech assumes no responsibility or liability whatsoever for any failure or unexpected operation resulting from misuse, neglect improper installation, repair or improper handling or unusual physical or electrical stress including, but not limited to, exposure to parameters beyond the specified maximum ratings or operation outside the specified range.

SEMTECH PRODUCTS ARE NOT DESIGNED, INTENDED, AUTHORIZED OR WARRANTED TO BE SUITABLE FOR USE IN LIFE-SUPPORT APPLICATIONS, DEVICES OR SYSTEMS OR OTHER CRITICAL APPLICATIONS. INCLUSION OF SEMTECH PRODUCTS IN SUCH APPLICATIONS IS UNDERSTOOD TO BE UNDERTAKEN SOLELY AT THE CUSTOMER'S OWN RISK. Should a customer purchase or use Semtech products for any such unauthorized application, the customer shall indemnify and hold Semtech and its officers, employees, subsidiaries, affiliates, and distributors harmless against all claims, costs damages and attorney fees which could arise.

#### Contact Information

|          |  |                |  |
|----------|--|----------------|--|
| Taiwan   | Tel: 886-2-2748-3380<br>Fax: 886-2-2748-3390 | Switzerland    | Tel: 41-32-729-4000<br>Fax: 41-32-729-4001         |
| Korea    | Tel: 82-2-527-4377<br>Fax: 82-2-527-4376     | United Kingdom | Tel: 44-1794-527-600<br>Fax: 44-1794-527-601       |
| Shanghai | Tel: 86-21-6391-0830<br>Fax: 86-21-6391-0831 | France         | Tel: 33-(0)169-28-22-00<br>Fax: 33-(0)169-28-12-98 |
| Japan    | Tel: 81-3-6408-0950<br>Fax: 81-3-6408-0951   | Germany        | Tel: 49-(0)8161-140-123<br>Fax: 49-(0)8161-140-124 |

Semtech International AG is a wholly-owned subsidiary of Semtech Corporation, which has its headquarters in the U.S.A