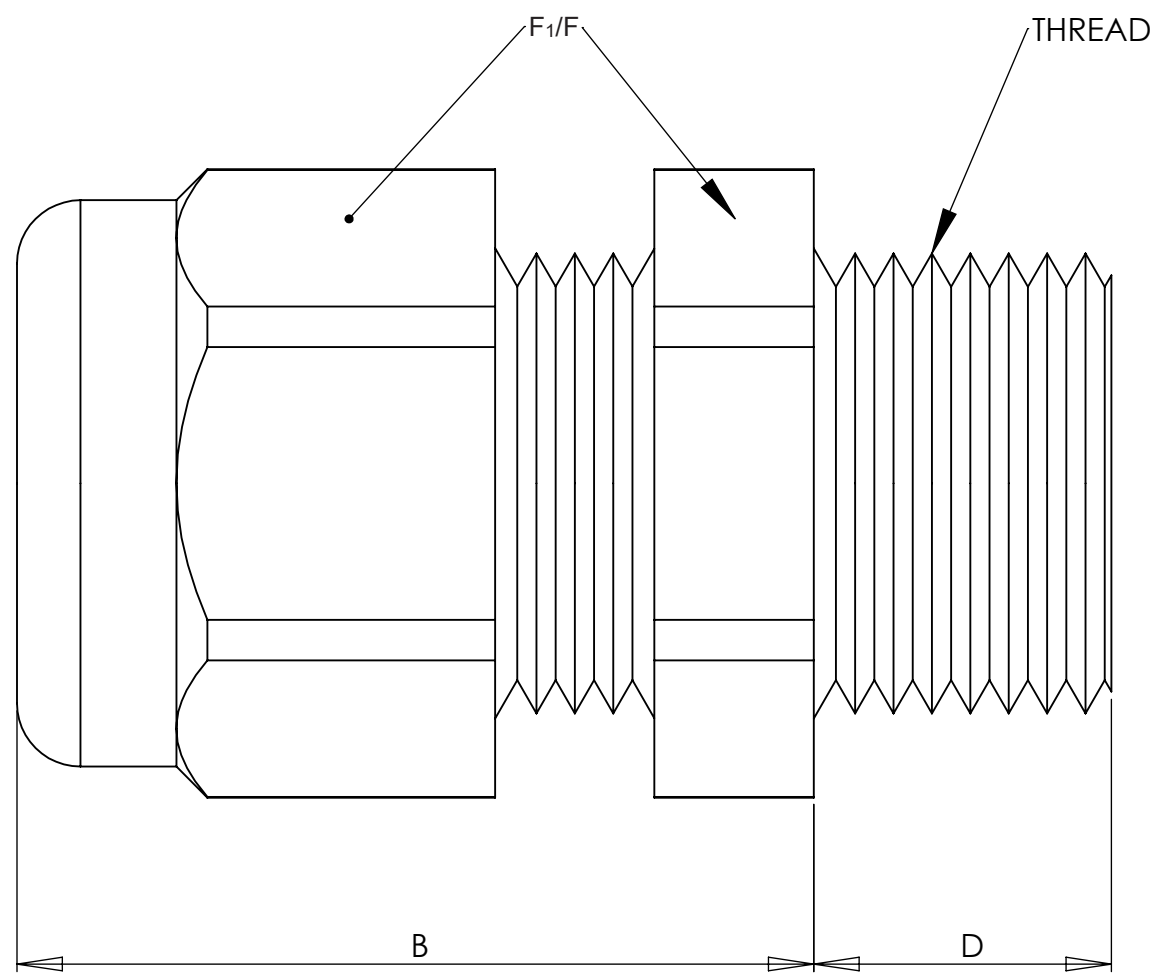


SPECIFICATIONS:
Pressure rating:
 150 PSIG (10 BAR) NEMA 4x and 6
 (Submersible) IP68
Materials:
 Body & Dome Nut: PVDF
 Form Seal & Optional O-Ring: Viton®
Operating Temperature:
 -31°F to 302°F (-35°C to 150°C)
 Short term 356°F (180°C)



PART NUMBERS	CABLE RANGE inches (mm)	THREAD TYPE AND SIZE For thread specs see page 29	DIMENSIONS INCHES (MM)			
			A Clearance Hole $+0.10^{\circ}$ 0 $+25\text{mm}$ 0	B Body Length	D Thread Length	F ₁ /F Wrenching Flats
CD07AA-TE CD07AR-TE	.11 - .26 (3 - 6.5) .08 - .20 (2 - 5)	PG 7 1/4" NPT	.49 (12.5)	.83 (21)	.31 (8)	.59 (15)
CD09AA-TE CD09AR-TE	.16 - .31 (4 - 8) .08 - .24 (2 - 6)	PG 9	.60 (15.2)	.87 (22)	.31 (8)	.75 (19)
CD09NA-TE CD09NR-TE	.16 - .31 (4 - 8) .08 - .24 (2 - 6)	3/8" NPT	.68 (17.2)	.87 (22)	.59 (15)	.87(22) / .75(19) .87(22) / .75(19)
CD11AA-TE CD11AR-TE	.20 - .39 (5 - 10) .11 - .27 (3 - 7)	PG 11	.73 (18.5)	.98 (25)	.31 (8)	.87 (22)
CD11AA-TE CD11AR-TE	.24 - .47 (6 - 12) .20 - .35 (5 - 9)	PG 13.5	.80 (20.3)	1.06 (27)	.35 (9)	.94 (24)
CD13NA-TE CD13NR-TE	.24 - .47 (6 - 12) .20 - .35 (5 - 9)	1/2" NPT	.83 (21.1)	1.06 (27)	.51 (13)	.94 (24)
CD16NA-TE CD16NR-TE	.39 - .55 (10 - 14) .27 - .47 (7 - 12)	1/2" NPT	.83 (21.1)	1.10 (28)	.51 (13)	1.06 (27)
CD16AA-TE CD16AR-TE	.39 - .55 (10 - 14) .27 - .47 (7 - 12)	PG 16	.88 (22.3)	1.10 (28)	.39 (10)	1.06 (27)
CD21AA-TE CD21AR-TE	.51 - .71 (13 - 18) .35 - .63 (9 - 16)	PG 21	1.12 (28.4)	1.22 (31)	.43 (11)	1.30 (33)
CD21NA-TE CD21NR-TE	.51 - .71 (13 - 18) .35 - .63 (9 - 16)	3/4" NPT	1.05 (26.7)	1.22 (31)	.55 (14)	1.30 (33)
CD29AA-TE CD29AR-TE	.71 - .98 (18 - 25) .51 - .79 (13 - 20)	PG 29	1.47 (37.3)	1.53 (39)	.43 (11)	1.65 (42)
CD36AA-TE CD36AR-TE	.87 - 1.26 (22 - 32) .79 - 1.02 (20 - 26)	PG 36	1.85 (47.0)	1.89 (48)	.51 (13)	2.09 (53)
CD42AA-TE CD42AR-TE	1.26 - 1.50 (32 - 38) .98 - 1.22 (25 - 31)	PG 42	2.13 (54.1)	1.93 (49)	.51 (13)	2.36 (60)
CD48AA-TE CD48AR-TE	1.46 - 1.73 (37 - 44) 1.14 - 1.38 (29 - 35)	PG 48	2.34 (59.4)	1.93 (49)	.55 (14)	2.56 (65)

NOTES:

- 1) GENERAL DIMENSIONS DRAWINGS.
- 2) DIMENSIONS [] ARE IN INCHES.
- 3) DIMENSIONS NOTED ARE FOR REFERENCE ONLY.

Third angle projection

SEALCON

14853 HINDSDALE AVE, SUITE D
 CENTENNIAL, CO 80112-4240, USA
 TEL: +1-303-699-1135
 TOLL FREE: +1-800-456-9012
 E MAIL: info@sealconusa.com,
 WEBSITE: www.sealconusa.com