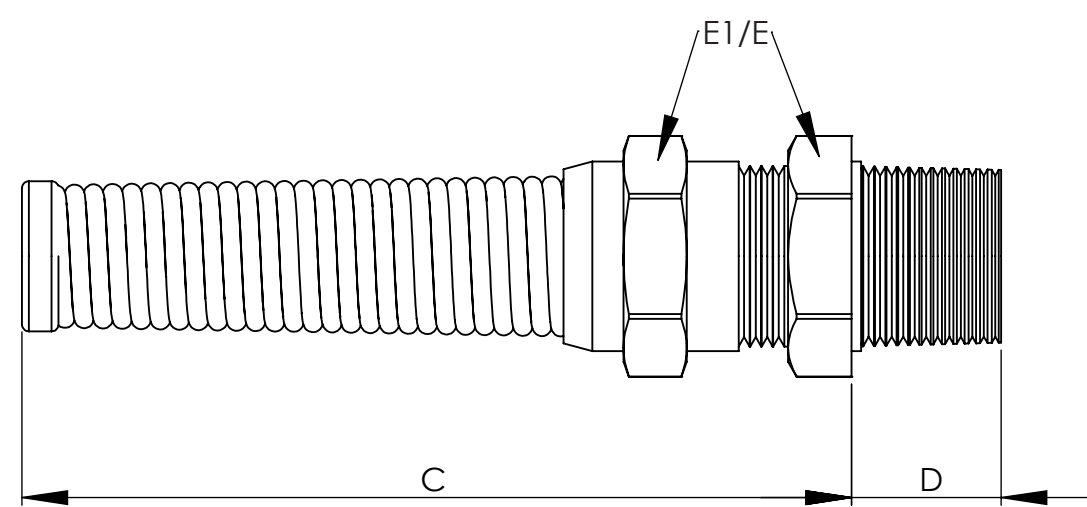
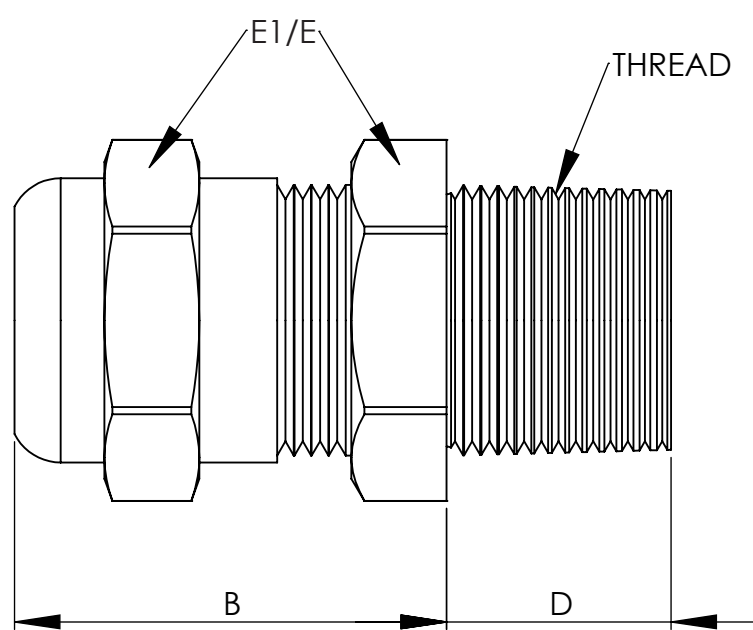


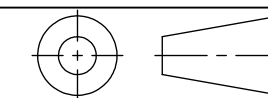
PART NUMBERS		CABLE RANGE inches (mm)	THREAD TYPE AND SIZE For thread specs see page 29	DIMENSIONS INCHES (MM)				
Dome Fittings	Flex Fittings			A Clearance Hole $+0.010^{+0.25\text{mm}}$ 0	B Body Height Dome Fittings	C Body Height Flex Fittings	D Thread Length Fittings	E1/E Wrenching Flats
CD12DA-BR CD12DR-BR	CF12DA-BR CF12DR-BR	.11 - .26 (3 - 6.5) .08 - .20 (2 - 5)	M12 x 1,5	.47 (12)	.75(19)	2.16 (55)	.39(10)	.55 (14)
CD16DA-BR CD16DR-BR	CF16DA-BR CF16DR-BR	.16 - .31 (4 - 8) .08 - .24 (2 - 6)	M16 x 1,5	.63 (16)	.83(21)	2.60 (66)	.39(10)	.67(17) / .75(19) .67(17) / .75(19)
CD17DA-BR CD17DR-BR	CF17DA-BR CF17DR-BR	.20 - .39 (5 - 10) .11 - .27 (3 - 7)	M16 x 1,5	.63 (16)	.87(22)	3.03 (77)	.39(10)	.79 (20)
CD20DA-BR CD20DR-BR	CF20DA-BR CF20DR-BR	.24 - .47 (6 - 12) .20 - .35 (5 - 9)	M20 x 1,5	.79 (20)	.91(23)	3.46 (88)	.39(10)	.87 (22)
CD22DA-BR CD22DR-BR	CF22DA-BR CF22DR-BR	.39 - .55 (10 - 14) .27 - .47 (7 - 12)	M20 x 1,5	.79 (20)	.94(24)	3.86 (98)	.39(10)	.94 (24)
CD25DA-BR CD25DR-BR	CF25DA-BR CF25DR-BR	.51 - .71 (13 - 18) .35 - .63 (9 - 16)	M25 x 1,5	.98 (25)	1.02(26)	4.37(111)	.47(12)	1.18 (30)
CD32DA-BR CD32DR-BR		.71 - .98 (18 - 25) .51 - .79 (13 - 20)	M32 x 1,5	1.26 (32)	1.22(31)	--	.47(12)	1.57 (40)
CD40DA-BR CD40DR-BR		.87 - 1.26 (22 - 32) .79 - 1.02 (20 - 26)	M40 x 1,5	1.57 (40)	1.46(37)	--	.59(15)	1.97 (50)
CD50DA-BR CD50DR-BR		1.26 - 1.50 (32 - 38) .98 - 1.22 (25 - 31)	M50 x 1,5	1.97 (50)	1.46(37)	--	.59(15)	2.24 (57)
CD63DA-BR CD63DR-BR		1.46 - 1.73 (37 - 44) 1.14 - 1.38 (29 - 35)	M63 x 1,5	2.48 (63)	1.50(38)	--	.59(15)	2.52(64) / 2.68(68) 2.52(64) / 2.68(68)



NOTES:

- 1) GENERAL DIMENSIONS DRAWINGS.
- 2) DIMENSIONS [ ] ARE IN INCHES.
- 3) DIMENSIONS NOTED ARE FOR REFERENCE ONLY.

Third angle projection



14853 HINDSDALE AVE, SUITE D  
CENTENNIAL, CO 80112-4240, USA  
TEL: +1-303-699-1135  
TOLL FREE: +1-800-456-9012  
E MAIL: [info@sealconusa.com](mailto:info@sealconusa.com),  
WEBSITE: [www.sealconusa.com](http://www.sealconusa.com)

