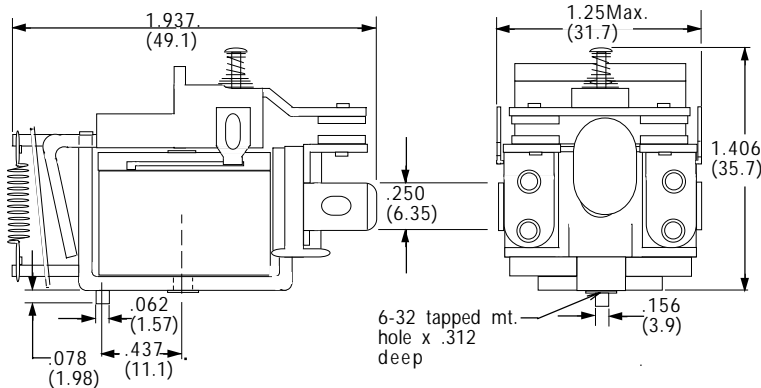
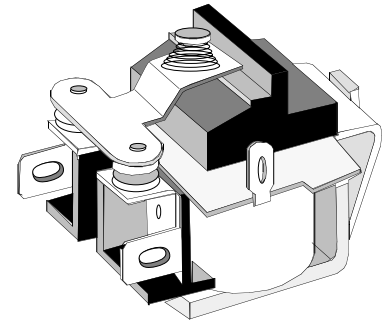


CLASS 88UKD RELAY

**SIDE COIL SOLDER TERMINALS
SPST-N.O. DM, RATED 30 AMPS
1/4" QUICK CONNECT /SOLDER TERMINALS
SWITCHES UP TO 1 HP AT 600 VAC**

UL Recognized
File No. E43641



SPECIFICATIONS 88UKD

COIL

Pull-in Voltage (AC): 85% of Nominal Voltage or less
 Pull-in Voltage (DC): 80% of Nominal Voltage or less
 Dropout Voltage: 10% of nominal voltage or more
 Max. allowed voltage: 110% of nominal voltage
 Coil Resistance: ±10% Measured @ 25°C

CONTACTS

Contact Material: 1/4" silver alloy, gold flashed.
 Contact Resistance: Initial 50 Milliohms @ rated current.

Contact Rating: 30 Amps up to 300VAC/28VDC, Resistive Load
 5 Amps @ 600VAC Resistive Load
 1 HP @ 120-600 VAC Motor load.

TIMING

Operate Time: 25 mS Max. @ Nominal Voltage.
 Release Time: 20 mS Max. @ Nominal Voltage

DIELECTRIC STRENGTH

Contacts to coil: 3000 V rms
 Across open contacts: 1000 V rms
 Contacts to frame: 3000 V rms
 Insulation Resistance: 1000 megohms min. @ 500 VDC

TEMPERATURE

Operating: -10°C to +50°C @ Rated Operation. (AC)
 -10°C to +60°C @ Rated Operation. (DC)

VIBRATION RESISTANCE

Functional: 5g's 10 to 55Hz.

SHOCK RESISTANCE

Functional: 5g's 11mS Max.

LIFE EXPECTANCY

Mechanical: 5 Million Operations
 Electrical: 100,000 Operations @ Rated Load.

MISCELLANEOUS

Contact Insulation: Movable & stationary contacts are mounted on a molded plastic barrier insulator.
 Style: Open style construction.
 Mounting: 6-32 tapped hole and locating tab.
 Weight: 85 Grams, 3 oz. approx.

PART NUMBERS	Coil Measured @ 25°C			CROSS REFERENCE TO POTTER & BRUMFIELD
	NOMINAL INPUT VOLTAGE	NOMINAL RESISTANCE (OHMS)	NOMINAL POWER	
AC OPERATED COIL				
W88UKADX-3	24VAC	-	3VA	KR-3AH-24
W88UKADX-4	120VAC	-	3VA	KR-3AH-120
W88UKADX-5	240VAC,60Hz 220VAC,50Hz	-	3VA	KR-3AH-240
DC OPERATED COIL				
W88UKDX-2	12 VDC	100	1.5W	KR-3DH-12
W88UKDX-3	24 VDC	400	1.5W	KR-3DH-24
W88UKDX-4	110 VDC	8000	1.5W	KR-3DH-110

PART NUMBERS SHOWN ALSO AVAILABLE THRU STOCKING DISTRIBUTION.