

101 Series - HEAVY DUTY Contactor

SPST, 100 Amp

The B101 series is a heavy duty 100 amp contactor. Each contactor uses a single pole with double make or double break switching. Contacts are protected in a molded plastic cover. Combination DIN rail / panel mounting is standard. The powerful electromagnetic structure produces high contact pressure which results in very reliable low resistance contacts. The B101 is ideally suited for application in telecommunications, hoist and elevator industries, rail mass transit and others.

GENERAL SPECIFICATIONS (@ 25° C)

Contacts:

Contact Configuration	SPST
Contact Material	Silver Alloy
Contact Rating	
120 / 240VAC Resistive	100 Amp
28VDC Resistive	100 Amp
Motor 120VAC 1 Phase	
Motor 240VAC 1 Phase	
Contact Resistance, Initial	100 milliohms max @ 6VDC

Coil:

Coils Available	AC and DC
Nominal Coil Power	30VA 10W
Input Voltage Tolerance - AC	85% to 110% of nominal
Input Voltage Tolerance - DC	80% to 110% of nominal
Drop-out voltage	10% of nominal
Duty	Continuous

Timing:

Operate Time (max)	60ms
Release Time (max)	30ms

Dielectric Strength:

Across Open Contacts	1500 VRMS
Between Mutually Insulated Points	2200 VRMS
Insulation Resistance	1000 megohms @ 500VAC

Temperature:

Operating	-34 to 74°C (-30 to 165°F)
Storage	-40 to 105°C (-40 to 221°F)

Life Expectancy:

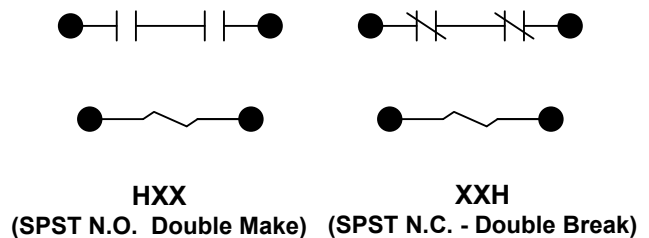
Electrical (full load operations)	100,000
Mechanical (no load operations)	1,000,000

Miscellaneous:

Mounting Position	Any
Enclosure	Plastic Contact Cover
Weight	14.6oz (370 grams)



B101 Wire Diagram
(Top View)

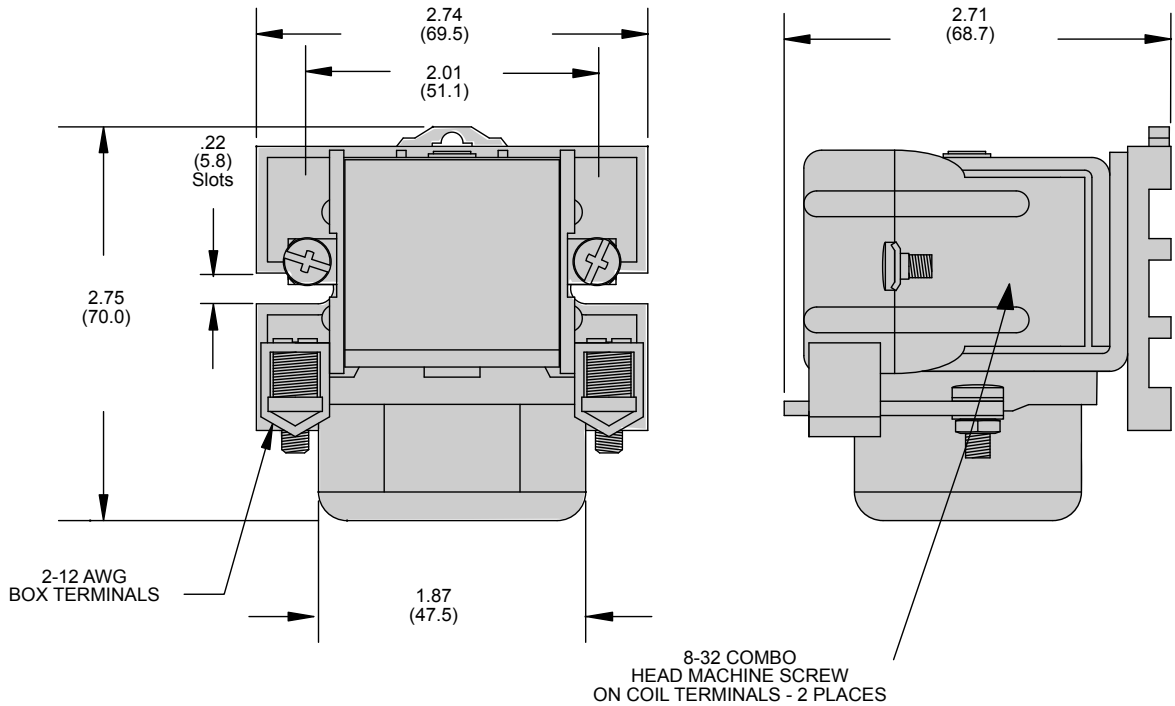


Power Relays

30 - 300 Amp

Outline Dimensions

Dimensions shown in inches & (millimeters)



Coil Specification

DC Coil

Nominal voltage	Resistance ohms ±10%
12	17
28	75
48	290

Ordering Code B101 HXX -28VDC

Series
B101

Contact Arrangement
HXX (1 pole N.O. - Double Make)
XXH (1 pole N.C. - Double Break)
Blowout Magnet - CODE 69

Coil Voltage
AC: 120, 240 (Add VAC)
DC: 12, 28 (Add VDC)

