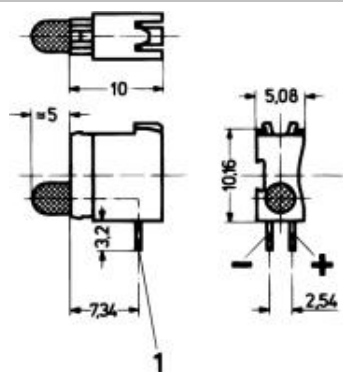
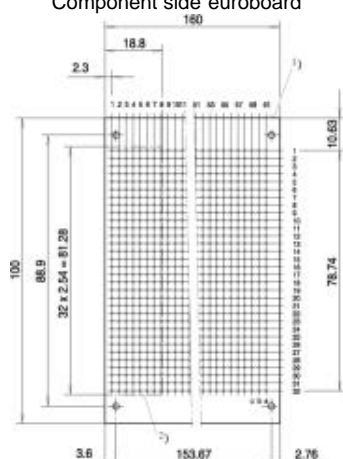


Single LEDs, short type, 3.2 mm

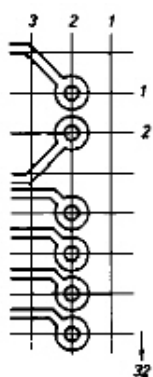


1 = mounting plane

Component side euroboard



View of solder side



Track width min. 0.6 mm, grid 2.54 mm

Part no.: 69004-121

Features:

- Short type for mounting plane 1

Standard pack quantity 10



Technical information:

Description	Colour
Standard LED	red

Add to basket



Technical Data:

Absolute maximum data $T_U = 25\text{ °C}$	red 3.2 mm
Reverse voltage V	5
On-state current mA	25
Energy loss mW	100
Forward current mA ($t < 10\text{ }\mu\text{s}$)	100
Forward voltage V - type (10 mA / 2 mA)	2,1
- max. (10 mA / 2 mA)	3
Luminous intensity mcd - at 2 mA	-
- at 10 mA ¹⁾	1.8
- at 20 mA ¹⁾	3.6
Wavelength nm (10 mA / 2 mA)	635
Thermal resistance °C/W	400
Angle of beam	$\pm 50\text{ °}$
Pivot bush temperature	- 55 ... + 100 °C
Operating temperature	- 55 ... + 100 °C (low-current LED) / - 40 ... + 85 °C

Recommended drilled hole diameter	Solder eyes
1.0 mm W 0.05	2.1 mm W 0.1

Track width min. 0,6 mm Grid 2.54 mm

	(standard LED)
Solder temperature	235 °C / 2 sec
Insulating body	Process control keyboard (Crastin)
Flammability of the insulating body	UL 94 V-0
Angle of beam	± 50 °

Note:

- Dimensions of the connecting pin: 0.5 × 0.5 mm
- Required front panel hole: X 4 mm