



**SCHROFF**

Project - 0 item(s)

**MY PROJECT LIST**

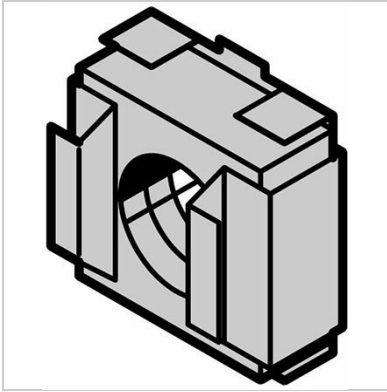
- [PRODUCTS](#)
- [APPLICATIONS](#)
- [INDUSTRIES](#)
- [NEW PRODUCTS](#)
- [CONFIGURATORS](#)
- [Products](#) ▾
- 
- 

Home > Cage nut M6



## Cage nut M6

**SCHROFF**



**Catalog Number: 21100-004**

[Back To Product](#)

- For standard GND/earthing use a GND/earthing nut and a nomel washer on at least one attachment point
- For mounting of front panels, distribution fields or other components on the frame, slide mounts or depth members with square cut-outs

**Accessory category:**

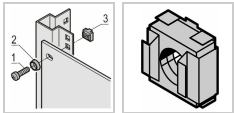
Mechanical Accessories

**Accessory type:**

Mounting hardware



Other Views



**Select product specifications before modifying or adding to project list or requesting a quote.**

Qty-defining

Configuration-defining

[Clear Selection](#)

Quantity

**Add Item to Project List +**

**Documents**

Main Catalog - Cabinet Accessories

### Technical Data

<b>Item</b>	3
<b>Description</b>	Cage nut M6
<b>Qty/PU</b>	100

- |                                                                                                                                                                                                                                                                                                                                                |                                                                                                                                                                                                                                                                                                                        |                                                                                                                                                                                                                                                                                                             |
|------------------------------------------------------------------------------------------------------------------------------------------------------------------------------------------------------------------------------------------------------------------------------------------------------------------------------------------------|------------------------------------------------------------------------------------------------------------------------------------------------------------------------------------------------------------------------------------------------------------------------------------------------------------------------|-------------------------------------------------------------------------------------------------------------------------------------------------------------------------------------------------------------------------------------------------------------------------------------------------------------|
| <p><b>EXPLORE</b></p> <ul style="list-style-type: none"> <li><a href="#">About Us</a></li> <li><a href="#">Services &amp; Capabilities</a></li> <li><a href="#">News &amp; Events</a></li> <li><a href="#">Newsletter Subscriptions</a></li> <li><a href="#">Strategic Partnerships</a></li> <li><a href="#">Investor Relations</a></li> </ul> | <p><b>CONTACT</b></p> <ul style="list-style-type: none"> <li><a href="#">Customer Service</a></li> <li><a href="#">Find a Sales Office or Distributor</a></li> <li><a href="#">Global Locations</a></li> <li><a href="#">Product Compliance &amp; Certifications</a></li> <li><a href="#">Partner Login</a></li> </ul> | <p><b>DOWNLOAD</b></p> <ul style="list-style-type: none"> <li><a href="#">Download Center</a></li> <li><a href="#">Reference Projects</a></li> <li><a href="#">Videos</a></li> <li><a href="#">Product Configurators</a></li> <li><a href="#">Warranties and Terms of Sale &amp; Procurement</a></li> </ul> |
|------------------------------------------------------------------------------------------------------------------------------------------------------------------------------------------------------------------------------------------------------------------------------------------------------------------------------------------------|------------------------------------------------------------------------------------------------------------------------------------------------------------------------------------------------------------------------------------------------------------------------------------------------------------------------|-------------------------------------------------------------------------------------------------------------------------------------------------------------------------------------------------------------------------------------------------------------------------------------------------------------|

Connect With Us

