



SCHROFF

Project - 0 item(s)

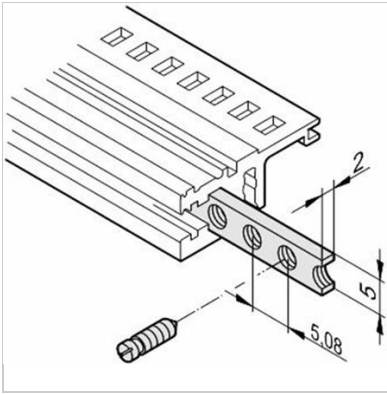
MY PROJECT LIST

- PRODUCTS
- APPLICATIONS
- INDUSTRIES
- NEW PRODUCTS
- CONFIGURATORS
- Products ▾
- Search
-

Home > Threaded insert, M3 (RatiopacPro/-air, PropacPro, CompacPro, EuropacPro)



Threaded insert, M3 (RatiopacPro/-air, PropacPro, CompacPro, EuropacPro)



Catalog Number: 34561-484

[Back To Product](#)

- The collar screws used for fixing partial-width front panels must be 12.3 mm long
- Usable for all horizontal rails

Description:

threaded inserts

Product family:

- RatiopacPRO
- PropacPRO
- EuropacPRO
- CompacPRO

Type:

Individual Components

Individual Component Type:

Horizontal Rails & Accessories

Standard pack quantity (SPQ):

Please take into consideration that deliveries may be carried out in the stated SPQs (SPQ, e.g. 5 pieces, 10 pieces, 50 pieces, etc.). Differing order quantities (e.g. 2 pieces) may be changed to the next possible delivery quantity = Standard Pack Quantity.



Select product specifications before modifying or adding to project list or requesting a quote.

[Clear Selection](#)

Quantity

Add Item to Project List +

Links

Native CAD files

Recently Viewed

Threaded insert, M3 (RatiopacPro/-air, PropacPro, CompacPro, EuropacPro)

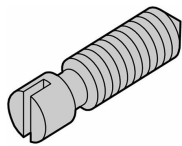
Technical Data

Length mm	431.3
Qty	1 piece (SPQ 10)
Delivery is exclusively made in Standard Pack Quantity (SPQ)	10
Material	Steel
Description	is necessary for the assembly of the Z-rail on the horizontal rail

Delivery Comprises:

Item	Quantity	Description
1	1	Threaded insert, St, zinc-plated, height 5 mm, depth 2 mm, M3 thread

Accessories



Grub screw (M3.0x8), steel nickel plated, PU
100 pieces

21100-646

[Add Item to Project List +](#)

EXPLORE

- [About Us](#)
- [Services & Capabilities](#)
- [News & Events](#)
- [Newsletter Subscriptions](#)
- [Strategic Partnerships](#)
- [Investor Relations](#)

CONTACT

- [Customer Service](#)
- [Find a Sales Office or Distributor](#)
- [Global Locations](#)
- [Product Compliance & Certifications](#)
- [Partner Login](#)

DOWNLOAD

- [Download Center](#)
- [Reference Projects](#)
- [Videos](#)
- [Product Configurators](#)
- [Warranties and Terms of Sale & Procurement](#)

Connect With Us

