

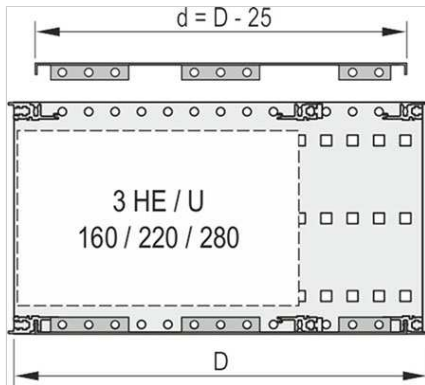


Schroff

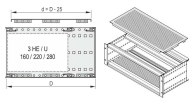
Cover plate for screw-fixing onto side panel

Catalog Number: 24560-064

- For variable positioning of horizontal rails e.g. for PCBs with non-standard formats
- Shielding is provided by optional EMC stainless steel gaskets, between cover plate and side panel
- Perforation degree 58 %
- Suitable for use with all horizontal rails



Other Views



Description

Product family:

EuropacPRO

Type:

Individual Components

Individual Component Type:

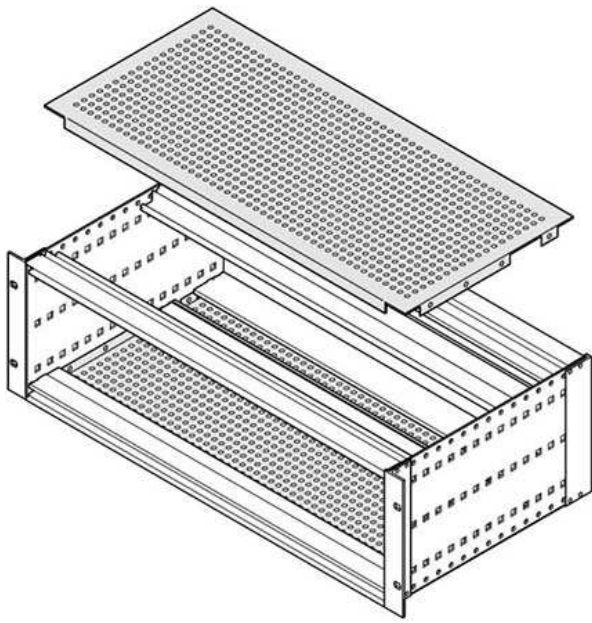
Cover Plates, Hoods and Accessories

Note:

4 stainless steel EMC contact strips per subrack are required for shielding, please order separately

Delivery Comprises:

| Item | Quantity | Description |
|------|----------|---|
| 1 | 2 | Cover, Al, 1.0 mm, hole diameter 4.0 mm, colourless chromated |
| 2 | 32 | Screw Torx 4 × 6, St, zinc-plated |
| 2 | 16 | Screw Torx 4 × 6, St, zinc-plated |



Technical Data

| | |
|-----------------------|---------------------------|
| Catalog Number | 24560-064 |
| Width HP | 42.0 |
| Depth mm | 175.0 |
| Description | Cover plate |
| Qty | PU 2 pieces |

Links



Native CAD files

Accessories

Item



EMC gasket (stainless steel) between cover plate and horizontal rail

24560-241
