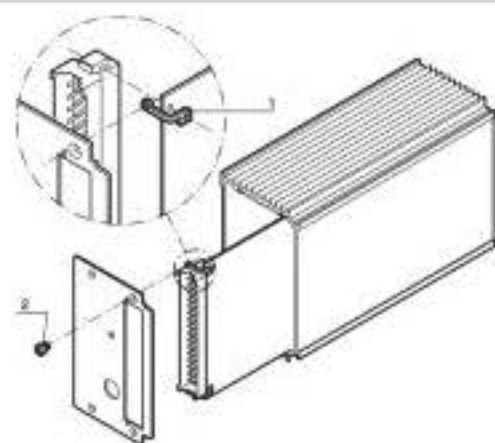


Mounting bracket for printed boards



Product illustrations are exemplary illustrations and can deviate from supplied products.

Part no.: 30809-700

Features:

- Mounting angle **bottom** for mounting 10 PCBs in HF plug-in unit
- Please order mounting angle **top** and retention screws separately

Standard pack quantity 10



Technical Information:

Description	Description	Qty/PU
Mounting bracket, bottom	St, 1.5 mm	1 piece

Downloads:

CAD data (STEP/DWG/DXF/PDF) (**Log in** required) 
 Assembly instructions (**Log in** required)

To gain access to the additional information you must log in.
 If you do not yet have a user name, you may register here.

Delivery comprises: Kit

Item	Qty	Description
1	1	Bracket, stainless steel, 1.5 mm

Accessories:

Part no.	Description	
21100-431	Cheesehead screw M2.5 × 4, St, nickel-plated, PU 100 pieces	Add to basket
30809-701	Mounting bracket for printed boards St, 1.5 mm	Add to basket

Technical Data:

Delivery may be in standard pack quantity. Please order 10 pieces of mounting angles or a multiple. Pricing is per individual item

[Add to basket](#)
