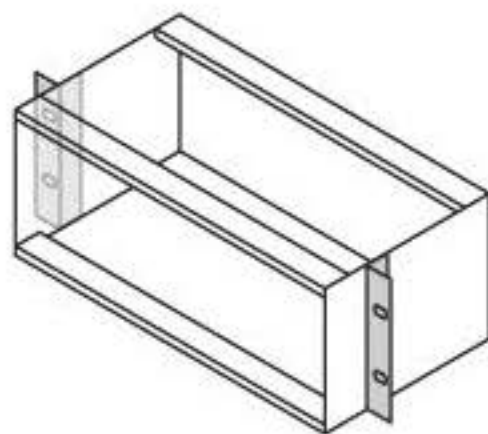


## 19" support bracket, universal, depth-adjustable



Product illustrations are exemplary illustrations and can deviate from supplied products.

Part no.: 24560-499

## Features:



## Technical Information:

Height	Height
6 U	265.9 mm

## Downloads:

CAD-Data in DWG DXF and PDF-Format (**Log in** required) 

To gain access to the additional information you must log in.  
If you do not yet have a user name, you may register here.

## Delivery comprises:

Item	Qty	Description
1	2	19" bracket, aluminium extrusion, clear chromated

## Accessories:

Part no.	Description	
24560-130	Panhead screw with torx M4 × 14, St, zinc-plated, PU 100 pieces	<a href="#">Add to basket</a>

## Note:

- Depth-adjustable in 30 mm grid

[Add to basket](#)
