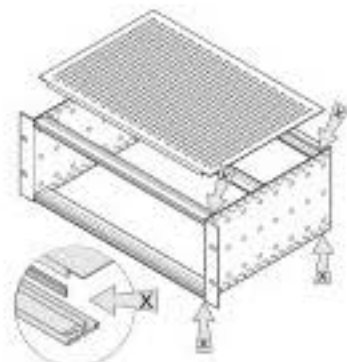


## EMC gasket (stainless steel) between cover plate and horizontal rail



Product illustrations are exemplary illustrations and can deviate from supplied products.

Part no.: 24560-241

**Features:**

- Stainless steel gasket is clipped into horizontal rail and forms the contact cover plate
- Fits all horizontal rails



**Technical Information:**

Description	Width	Length	Qty/PU
EMC gasket (stainless steel) between cover plate and horizontal rail	42 HP	182.4 mm	10 piece

**Downloads:**

Assembly instructions (**Log in** required)

To gain access to the additional information you must log in.  
If you do not yet have a user name, you may register here.

**Delivery comprises:**

Item	Qty	Description
1	10	Stainless steel contact spring corrosion-free

**Accessories:**

Part no.	Description	
24560-271	Assembly tool for EMC gasket, stainless steel (horizontal rails), 1 piece	<a href="#">Add to basket</a>

**Note:**

- When a rear hood is used, the stainless steel EMC gasket ensures the conductive connection between horizontal rail and rear hood

[Add to basket](#)

