

[PENTAIR.COM](#)[Unit of Measure - Metric](#) |[Pentair | Europe, the Middle East, Africa and India - English](#) | [Change](#)[Partner Login](#)[Sign In / Register](#)[EQUIPMENT AND ELECTRONICS PROTECTION](#)

Shopping Cart

Project - 0 item(s)

[MY PROJECT LIST](#)

- [Products](#)
 - Hoffman
 - [Mild Steel Enclosures](#)
 - [Stainless Steel Enclosures](#)
 - [Non-Metallic Enclosures](#)
 - [Aluminum](#)
 - [Disconnect](#)
 - [Modular Enclosure Systems](#)
 - [HMI \(Human-Machine Interface\)](#)
 - [Commercial Enclosures](#)
 - [Wire and Cable Management](#)
 - [Hazardous Locations](#)
 - [Networking Racks and Cabinets](#)
 - [Thermal Management](#)
 - [Power and Grounding Connectivity](#)
 - [Enclosure Accessories](#)
 - [LEARN MORE](#)
 - Schroff
 - [IT & Data Center Infrastructure Solutions](#)
 - [IT / Data Center Racks & Cabinets](#)
 - [Aisle Containments](#)
 - [Cooling](#)
 - [PDUs / iPDUs](#)
 - [Smart Monitoring](#)
 - [Accessories](#)
 - [Electronics Cabinets](#)
 - [19" Racks & Electronics Cabinets](#)
 - [Ruggedized Electronics Cabinets \(Seismic, MIL\)](#)
 - [EMC Cabinets](#)
 - [Power Distribution Units / Socket Strips](#)
 - [Electronics Cabinet Parts](#)
 - [Electronics Cabinets Accessories](#)
 - [Outdoor Electronics Cabinets](#)
 - [Systems, Backplanes & Power Supplies](#)
 - [AdvancedTCA Systems](#)
 - [CompactPCI Based Systems](#)
 - [MicroTCA Systems](#)
 - [VME Based Systems - incl VXS VPX](#)
 - [Hardware Platform Management \(Pigeon Point\)](#)
 - [Computer on Module \(CoM\)](#)
 - [Backplanes](#)
 - [Test Adaptors](#)
 - [Power Supplies](#)
 - [Subracks, Cases & Front Panels](#)
 - [Subracks and 19" chassis](#)
 - [Cases](#)
 - [Accessories - Subracks and Cases](#)
 - [Front Panels, Plug-in Units and Cassettes](#)

- [Mounting Hardware](#)
 - [Small Form Factor Cases](#)
- [PCB Accessories / Retainers](#)
 - [PCB Accessories](#)
 - [PCB Wedge Loks / Card Loks](#)
 - [PCB Tainers / Guides](#)
 - [PCB Inserters / Extractors](#)
 - [Conduction Cooled Assemblies / Heat Frames](#)
- [LEARN MORE](#)
- [Applications](#)
 - Hoffman
 - [Indoor Manufacturing](#)
 - [Commercial Construction](#)
 - [Hazardous / Explosive Environment](#)
 - [Networking Infrastructure](#)
 - [Washdown / Corrosive](#)
 - [Weather Resistant \(outdoor\)](#)
 - [LEARN MORE](#)
 - Schroff
 - [Indoor Manufacturing](#)
 - [Laboratory Environment](#)
 - [Shock / Vibration](#)
 - [Transportation \(Mobile\)](#)
 - [Ruggedized / MIL \(seismic\)](#)
 - [Communications / Data Center-IT](#)
 - [LEARN MORE](#)
- [Industries](#)
 - Hoffman
 - [Infrastructure](#)
 - [Alternative Energy](#)
 - [Commercial Buildings](#)
 - [Food / Beverage](#)
 - [Industrial](#)
 - [Networking Infrastructure](#)
 - [Oil and Gas](#)
 - [LEARN MORE](#)
 - Schroff
 - [General Electronics](#)
 - [Infrastructure](#)
 - [Medical / Laboratory](#)
 - [Security / Defense](#)
 - [Communications / Data Center-IT](#)
 - [LEARN MORE](#)

Products ▾

Search in

- [Products](#)
- [Applications](#)
- [Industries](#)
- [All Categories](#)

Search

Suggested site content and search history menu Search

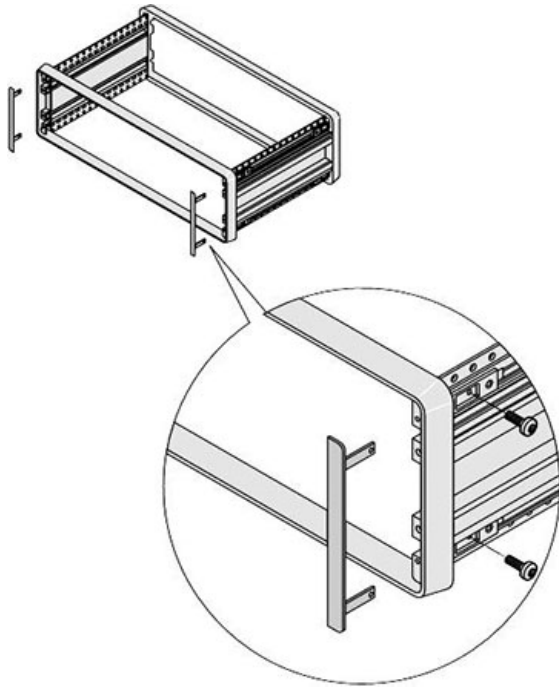
- [Home](#)
- [Filler angle](#)



Other Views

-





Schroff

Filler angle

Catalog Number: 24575-119

[Back To Product](#)

- To cover the sides of the rack and to create a continuous front plane with plug-in units and partial front panels
- Cover bracket is recommended in event of expansion with horizontal rails



[Change Item](#)

Changing an item will update the Catalog Number. This can affect the list price and specification of the item.

Quantity

1

[Add Item to Project List](#)

- [Description](#)
- [Downloads](#)
- [Technical Data](#)
- [Accessories](#)

Product family:

CompacPRO

Type:

Individual Components

Individual Component Type:

Panels & Accessories_

Note:

Fixing material is supplied with case

Delivery Includes:

kit

Delivery Comprises:

Item	Quantity	Description
1	2	Filler angle, Al extrusion, anodised, cut edges plain

Downloads (1 - 2 of 2)

Documents



[User Manual](#)

Links



[Native CAD files](#)

Catalog Number [24575-119](#)

Qty PU 2 pieces

Height U 3

No accessories available.

Explore

- [About Us](#)
- [Services & Capabilities](#)
- [News & Events](#)
- [Strategic Partnerships](#)
- [Investor Relations](#)

Contact

- [Customer Service](#)
- [Find a Sales Office or Distributor](#)
- [Global Locations](#)
- [Product Compliance & Certifications](#)
- [Partner Login](#)

Download

- [Literature](#)
- [White Papers & Case Studies](#)
- [Videos](#)
- [Product Configurators](#)
- [Warranties](#)

