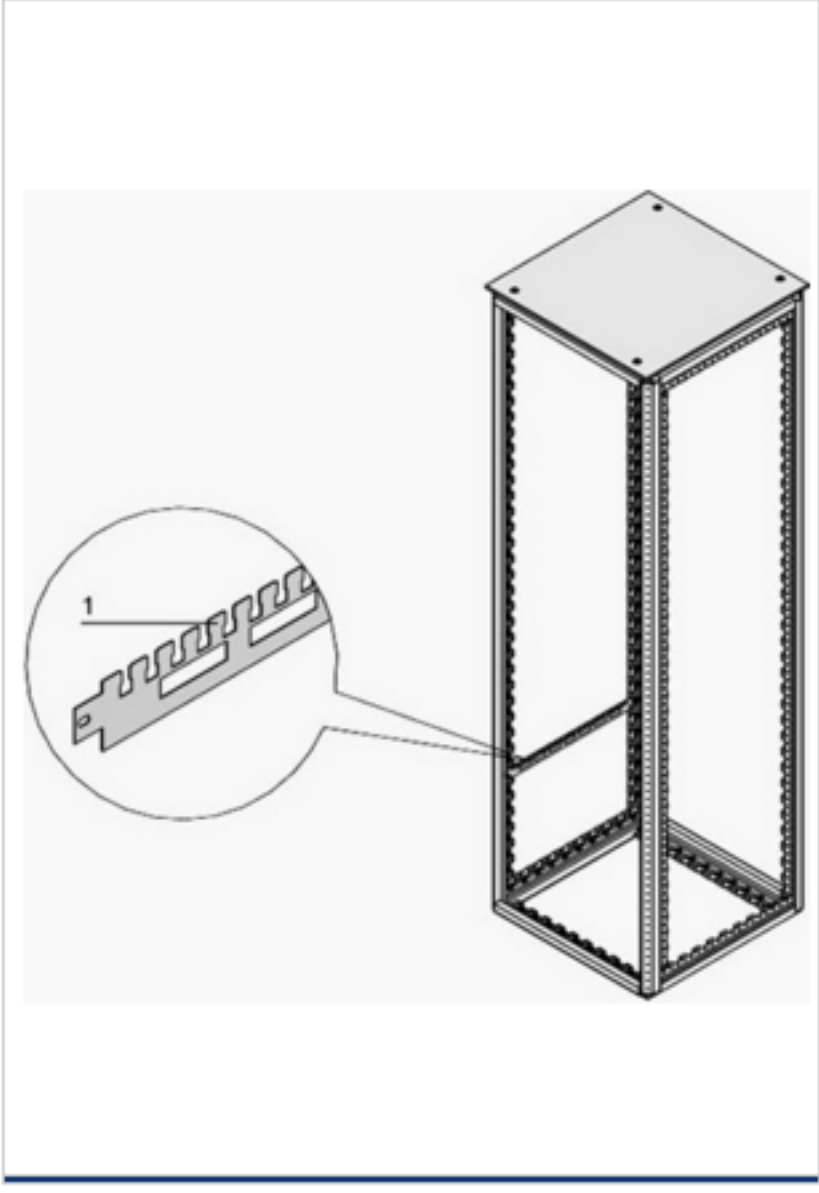


We recommend you print this page



**Schroff**  
**Cable support rail (Varistar), for cabinet depth 600mm**

Catalog Number: 23130-326

- For cable ducting in lateral area of cabinet
- For cable shells (bottom row) and for cable ties or Velcro (top row)



Other Views



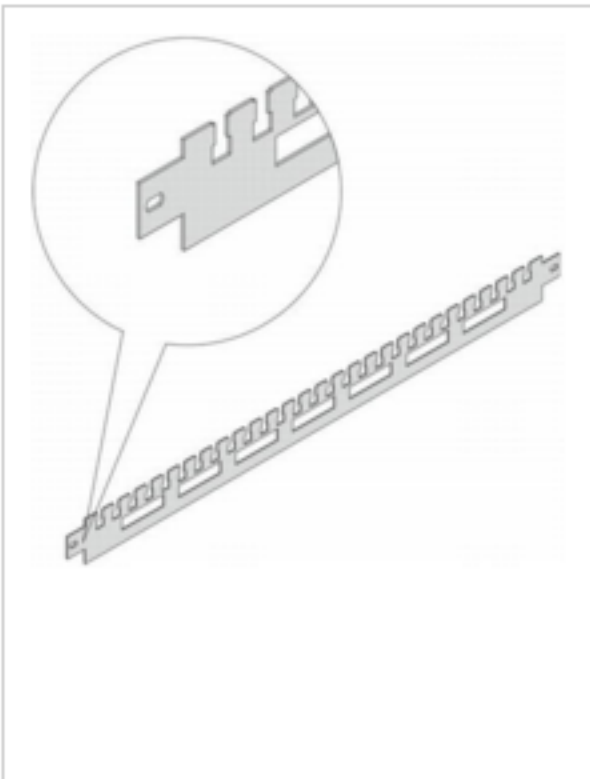
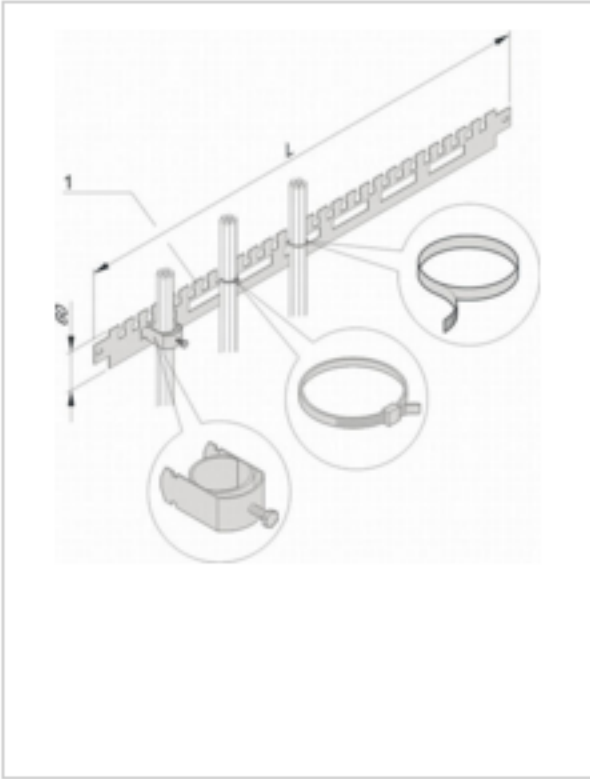
**Description**

Product family:  
 Varistar

Accessory category:  
 Cable management

**Delivery Comprises:**

Item	Quantity	Description
1	2	Cable support rail, St, 1.5 mm, RAL 7021
2	1	Assembly kit



**Technical Data**

<b>Catalog Number</b>	23130-326
<b>Length mm</b>	466.4
<b>For cabinet depth mm</b>	600.0
<b>Colour</b>	RAL 7021
<b>Qty</b>	PU 2 pieces

**Documents**

- Main Catalog - Varistar Datacom/Networking
- ExtendedSitesCatalogAssetStore/PentairDataLoad/EP5Media/ASIM/webcat/subgroup/3dpdf/23130326.pdf

**Links**

- Native CAD files

No accessories available.

We recommend you print this page