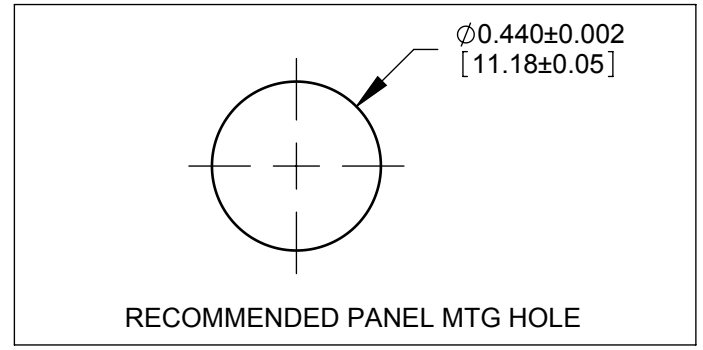
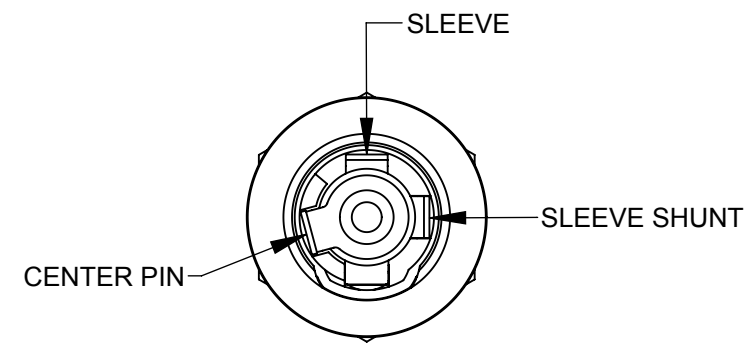
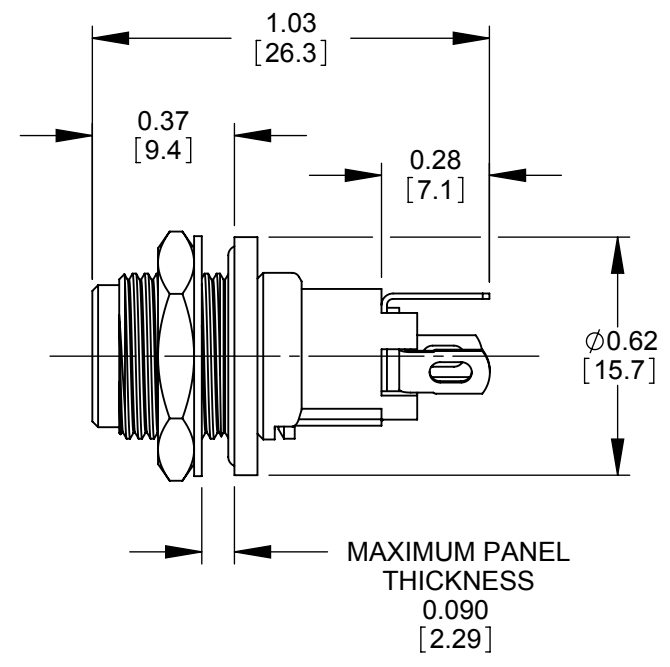
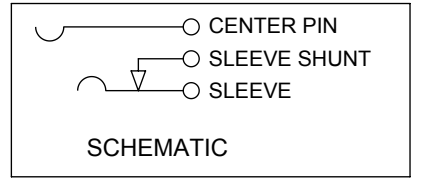


0.65
[16.5]

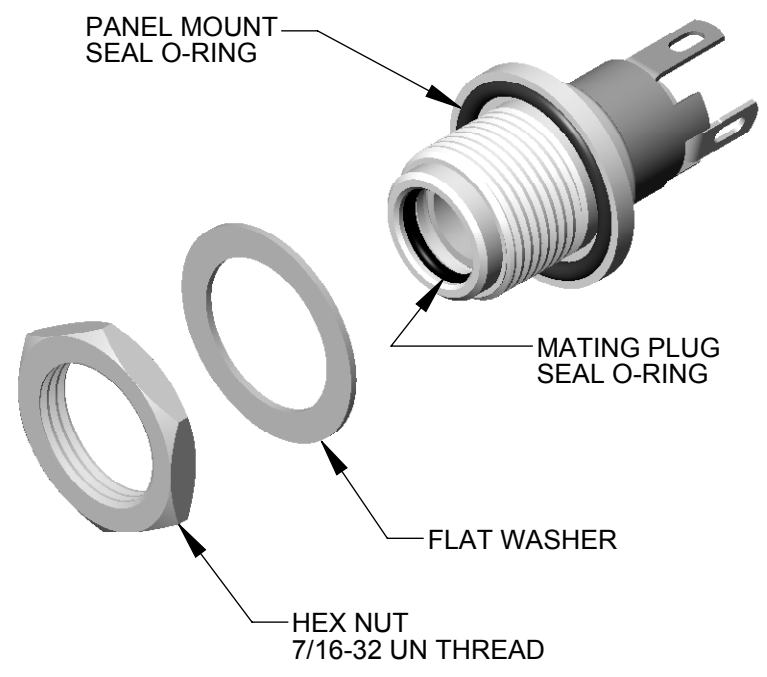
CENTER PIN/JACK SIZE
(SEE TABLE)



RECOMMENDED PANEL MTG HOLE



SCHEMATIC



PART NUMBER	CENTER PIN / JACK SIZE	MATING POWER PLUG
L712AS	0.10 [2.5 mm]	761KS12, 761KS15, 761KS17
L722AS	0.08 [2.0 mm]	S761KS12, S761KS15, S761KS17, 767KS12, 767KS15, 767KS17

NOTES:

- DIMENSIONS SHOWN FOR REFERENCE ONLY.
- HEX NUT, FLAT WASHER, AND PANEL O-RING SUPPLIED UNASSEMBLED
- MATERIAL:
HOUSINGS, HEX NUT - COPPER ALLOY, NICKEL PLATED
INSULATOR HOUSING - THERMOPLASTIC
O-RINGS - NEOPRENE RUBBER, LUBRICATED WITH SYNTHETIC GREASE
TERMINAL INSULATORS - PHENOLIC
FLAT WASHER - STEEL, NICKEL PLATED
PIN, SPRING, TERMINALS - COPPER ALLOY, SILVER PLATED
- THIS PRODUCT IS RoHS COMPLIANT

CUSTOMER DRAWING

					THIS DRAWING DESCRIBES A DESIGN CONSIDERED PROPRIETARY IN NATURE, DEVELOPED AND MANUFACTURED BY SWITCHCRAFT INC. AND IS RELEASED ON A CONFIDENTIAL BASIS FOR IDENTIFICATION PURPOSES ONLY.					
					SIZE *	WIDTH *	MULT *	LBS/M *	TEMPER *	
					FINISH *			MATERIAL *		
					SPEC No. *			SPEC No. *		
					FIRST USED ON *		SCALE 2:1			
A	26591	8/6/10	RS	TJK	DATE DRAWN	BY	CHKD	APVD	Switchcraft [®]	
REV	ECO NUMBER	DATE	BY	APVD	7/23/09	PNK	RS	TJK		
REVISIONS					DO NOT SCALE DRAWING					SHEET 1 OF 1
					NAME SEALED POWER JACKS SOLDER LUG, RoHS				PART No. L712AS, L722AS	REV A