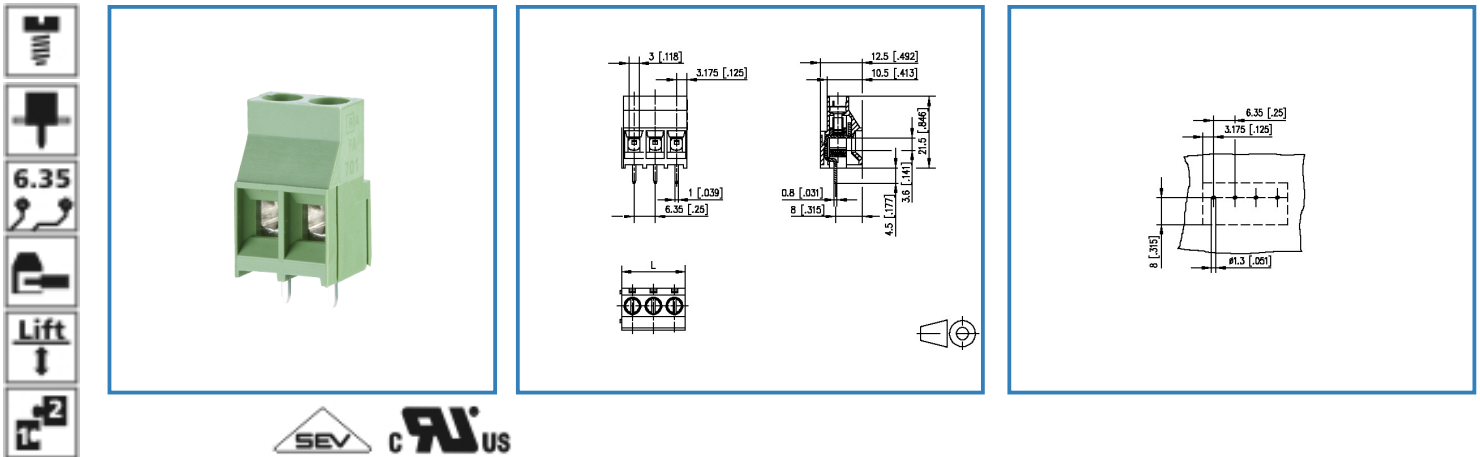


Data Sheet

RT11LxxHGLU

Illustration



see enlarged drawing at the end of the document

Product specification

- screw type terminal block, solderable
- centerline 6.35 mm, direction of connection 90°
- lift system, modular
- color green
- Connection data

CRIUS V / A / AWG 300 / 30 / 26 - 10

SEV 4 mm² 450 V / 32 A / T60

Data Sheet



RT11LxxHGLU

Technical Data

General Data

Tightening torque SEV	0.6 Nm		
Tightening torque UL	5.3 lb-in		
Solder pin length	4.5 mm		
min. number of poles	2		
max. number of poles	3		
Insulating material class	CTI 600		
clearance/creepage dist.	5 mm		
protection category	IP 20		
Overvoltage category	III	III	II
Pollution degree	3	2	2
Rated voltage	400 V	1000 V	1000 V
Rated test voltage	4 kV	4.0 kV	4.0 kV

Connection data

 V / A / AWG	300 / 30 / 26 - 10
 4 mm ²	450 V / 32 A / T60

Material

insulating material	PA66
flammability class	V0
contact material	CuZn
contact surface	Ni + Sn
terminal body material	CuZn
terminal body surface	Ni
screw surface	Zn Cr(VI)-frei/free
screw thread	M3

Climatic properties

upper limit temperature	105 °C
lower limit temperature	-40 °C

General

solderability	Acc. to JEDEC JESD22-B102E 245°C/5s
Tolerance	ISO 2768 -mH

Data Sheet

RT11LxxHGLU

Page 3/4

P/N

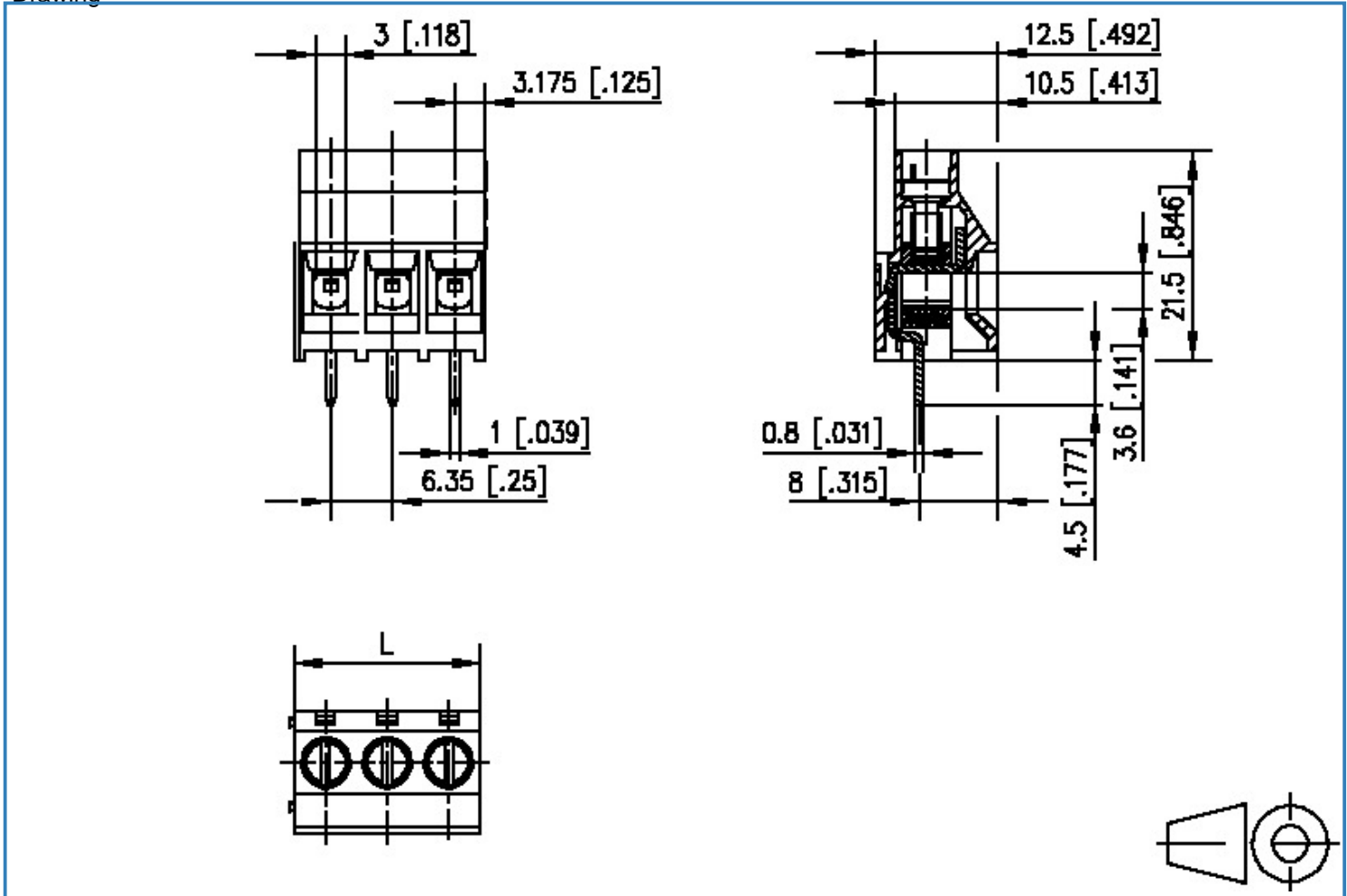
317011xx

xx=number of poles

2015/03/16

Illustration

Drawing



$L = (\text{pole size} - 1) \times \text{centerline} + 6.35 [0.25]$



Data Sheet

RT11LxxHGLU

Page 4/4

P/N

317011xx

xx=number of poles

2015/03/16

PCB Layout

