

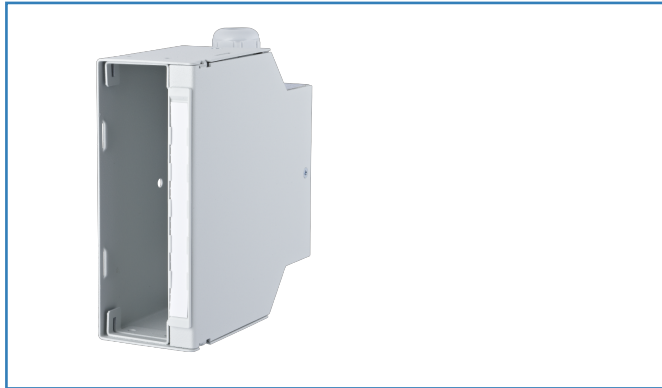
# Data sheet

## OpDAT REGpro housing with splice tray and crimp splice holder

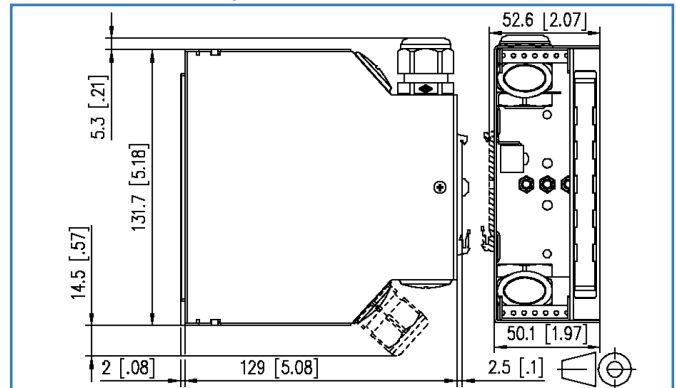
Page 1/4

P/N  
15024A10S-E  
EAN 4250184130383  
2019/01/18  
Version: L

### Illustrations



Dimensional drawing



See enlarged drawings at the end of document

### Product specification

- splice distributor for TH35 rail without front cover
- gray housing
- with or without splice tray with crimp splice holder (CSH) for up to 12 splices
- installation of two shrink splice holders (SSH) on splice tray is possible
- with fiber reservoir
- custom-labeled identification strips
- fastening on top hat rail by means of very sturdy top hat rail holder
- various mounting versions on rail
- for different front plates 3RU/7HP
- cable feed from top or bottom, straight or inclined, with M20 cable gland (up to 2 possible)
- width: 50 mm, height: 128 mm, depth: 132.5 mm (from rail, without adapters)
- feed of pre-terminated cables is possible
- one cable gland M20 with strain relief included in the delivery
- housing cover fastening by means of just one screw
- variants: with and without splice tray
- Please note: not all front plates 3RU/7HP available on the market can be used for OpDAT REGpro. If pre-terminated cables are used, we recommend the version without splice tray.



## OpDAT REGpro housing with splice tray and crimp splice holder

P/N  
15024A10S-E

EAN 4250184130383

2019/01/18

Version: L

### Technical Data

#### General Data

Fields of application

Field of application Harsh environment

Design patch panel

Color gray

Dimensions

Dimension 131.5 mm x 131.7 mm x 52.6 mm

Dimension 5.177 in. x 5.185 in. x 2.071 in.

Labeling option label strip / labeling strip

#### Connections/interfaces

Cable access/outlet from top or bottom, straight or inclined

Ground connection grounding bolt with nut and lock washer

#### Mechanical characteristics

strain relief PG gland

#### Materials and material properties

Material - Housing steel

Material - Standard rail mounting support Al (Aluminium)

#### Classifications

ETIM 5.0 EC001130

ETIM 6.0 EC001130

#### Packing details

Type of packaging 1 pc(s) / box

Packaging unit - Weight (gram) 715 g

Packaging unit - Weight (pound) 1.58 lb

Packaging dimension 145 mm x 134 mm x 70 mm

Packaging dimension 5.709 in. x 5.276 in. x 2.756 in.

## OpDAT REGpro housing with splice tray and crimp splice holder

P/N  
15024A10S-E

EAN 4250184130383

2019/01/18

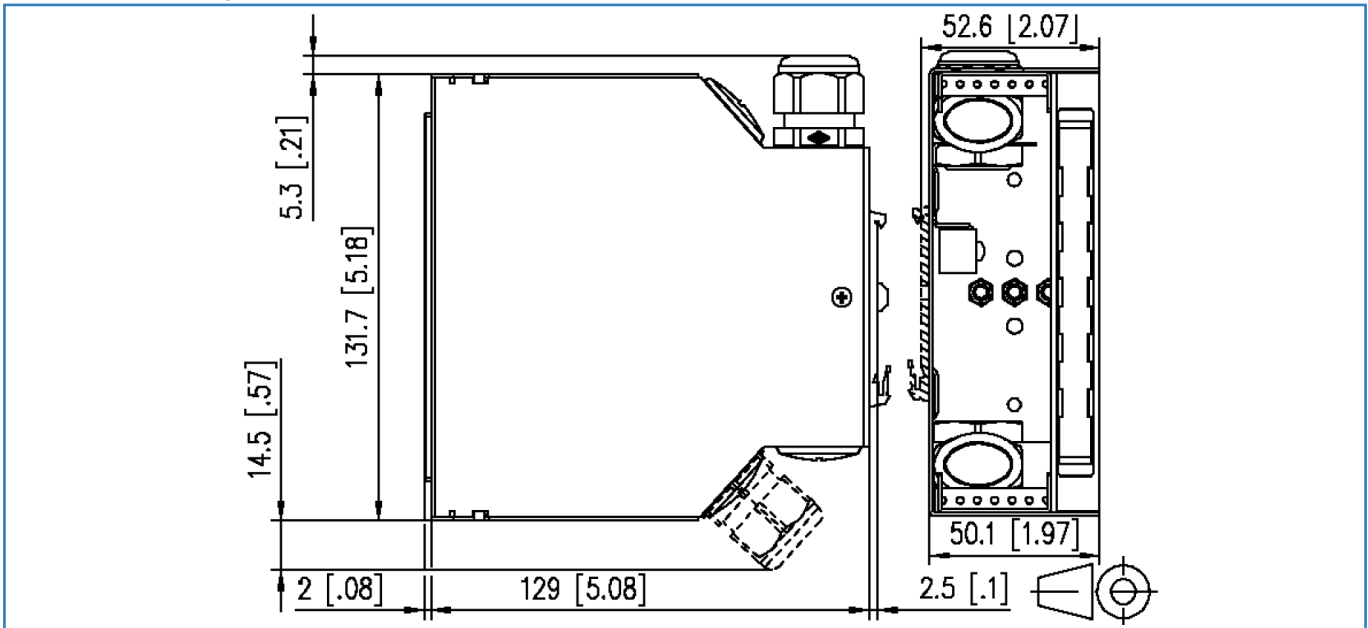
Version: L

### Accessories

P/N	Designation
130B10E2E-E	Modul module frame 3RU, 7HP 6 port stainless steel unequipped
130B20E2E-E	Keystone module frame 3RU, 7HP 6 port stainless steel unequipped
150240M20Z-E	OpDAT REG strain relief M20
15024A0100-E	OpDAT REGpro front cover 3RU, 7HP for 12xST, unequipped
15024A0112-E	OpDAT REGpro front cover 3RU, 7HP 12xST SM + MM (ceramic)
15024A0200-E	OpDAT REGpro front cover 3RU, 7HP for 12xE2000/12xSC-S, unequipped
15024A3112-E	OpDAT REGpro front cover 3RU, 7HP 12xST MM (ceramic)
15024A5200-E	OpDAT REGpro front cover 3RU, 7HP for 6xSC-D/6xLC-Q, unequipped
15024A5812-E	OpDAT REGpro front cover 3RU, 7HP 12xE2000 SM (ceramic)
15024A5912-E	OpDAT REGpro front cover 3RU, 7HP 12xE2000 APC OS2 (ceramic)
15024A5A00-E	OpDAT REGpro front cover 3RU, 7HP for 6xE2000-D snap-in, unequipped
15024A5A06-E	OpDAT REGpro front cover 3RU, 7HP 6xE2000-D MM (ceramic)
15024A5B06-E	OpDAT REGpro front cover 3RU, 7HP 6xE2000-D SM (ceramic)
15024A5C06-E	OpDAT REGpro front cover 3RU, 7HP 6xE2000-D APC OS2 (ceramic)
15024A7203-E	OpDAT REGpro front cover 3RU, 7HP 3xLC-Q OM2 (ceramic, beige)
15024A7903-E	OpDAT REGpro front cover 3RU, 7HP 3xLC-Q OM4 (ceramic, violet)
15024AC206-E	OpDAT REGpro front cover 3RU, 7HP 6xSC-D MM (ceramic, metal)
15024AD206-E	OpDAT REGpro front cover 3RU, 7HP 6xSC-D OS2 (ceramic, metal)
15090301-I	OpDAT splice protection cover for 12 crimp splices
15090302-I	OpDAT splice protection cover for 6 shrink splices
899789-01	Label sheet for E-DAT C6 and E-DAT design patch panels

**Illustrations**

Dimensional drawing



© 2019 METZ CONNECT - Technische Änderungen vorbehalten! Subject to modifications! Sous réserve de modifications techniques!

