

Data sheet

E-DAT Industry IP67 V6 plug

Page 1/7

P/N

130906-03-E

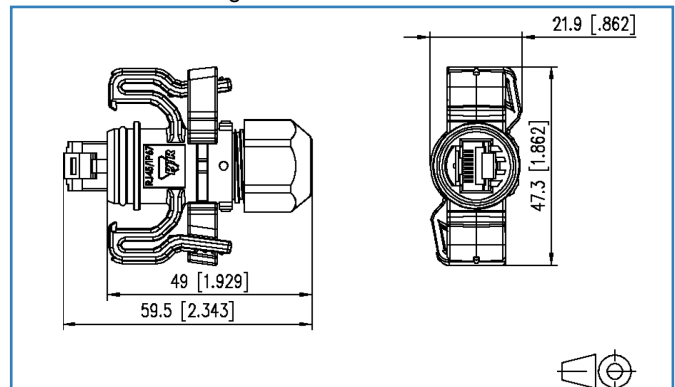
EAN 4250184105381

2015-06-07

Illustrations



Dimensional drawing



See enlarged drawings at the end of document

Product specification

- Cat.6 class E_A connector in connector housing to IEC 61076-3-106 var. 6
- compliance with class E_A to ISO/IEC 11801 Ed.2.2:2011-06, DIN EN 50173-1:2011-09
- 10 GBit suitable according to IEEE 802.3an
- suitable for Power over Ethernet (PoE, PoE plus and UPoE)
- complies with ingress protection IP67 when plugged in
- AWG 27/7 - 24/7 and AWG 24/1 connection possible
- solid copper wire diameter from 0.36 to 0.51 mm
- stranded copper wire diameter from 0.46 to 0.61 mm
- conductor diameter from 0.85 to 1.05 mm
- cable jacket up to 7.3 mm can be connected
- large 360° shield contact
- locking clip can also be upgraded in its installed state
- protected against unintentional opening by means of locking clip (also colored)
- crimping of the internal and external conductors with professional crimp pliers in one process
- professional crimping tool available in the tools section

Data sheet
E-DAT Industry IP67 V6 plug

Technical Data

General Data

Fields of application	Industrial Ethernet
Design	Plugs
Transmission technology	Copper
Color	light gray
Dimensions	
Dimension (L x W x H)	59.50 x 47.30 x 21.90 mm
Dimension (L x W x H)	2.34 x 1.86 x 0.86 in.
Labeling option	on housing

Transmission characteristics

Category (ISO)	6
Class (ISO/IEC)	E _A
Category (TIA)	6
PoE	IEEE 802.3af
PoE plus	IEEE 802.3at
UPoE	yes
Transmission rate up to 10 GBit	IEEE 802.3an

Connections/interfaces

Connector technology interface 1	IDC-connection
Connector technology interface 2	RJ45 plug
Number of ports interface 2	1
Number of ports interface 2 equipped	1
Number of positions/contacts interface 1	8
Number of positions/contacts interface 2	8P/8C
Protective housing interface 1	V6
Termination data, solid wire (min. - max.)	
Conductor cross section, solid wire	AWG 24
Conductor cross section, solid wire	0.205 mm ²
Conductor diameter, solid wire (bare copper)	0.511 mm
Conductor diameter, solid wire (bare copper)	0.020 in.



Technical Data

Connections/interfaces

Termination data, stranded wire (min. - max.)

Conductor cross section, stranded wire	AWG 27 - 24
Conductor cross section, stranded wire	0.111 - 0.227 mm ²
Conductor diameter, stranded wire (bare copper)	0.457 - 0.610 mm
Conductor diameter, stranded wire (bare copper)	0.018 - 0.024 in.
Core diameter (min. - max.)	
Core diameter (conductor with insulation)	0.85 - 1.02 mm
Core diameter (conductor with insulation)	0.033 - 0.04 in.
Cable sheath diameter (min. - max.)	
Cable sheath diameter	5.50 - 6.20 mm
Cable sheath diameter	0.22 - 0.24 in.
Cable access/outlet	180°

Electrical characteristics

Contact resistance	max. 20 mOhm
Insulation resistance	min. 500 MOhm
Dielectric strength conductor-conductor (secondary)	min. 1000 V DC

Mechanical characteristics

Locking method (protective housing)	locking clamp
-------------------------------------	---------------

Materials and material properties

Material - Housing	PC UL94-V0
Material - Protective housing	PA 6.6 UL94 V0
Material - Contact	PhBr (phosphor bronze)
Material - Contact finish	Ni + Au (nickel-gold)
Material - Shield	CuZn (brass)
Material - Shield finish	Ni (nickel)
Material - Protective housing seal	NBR (nitrile butadiene rubber)
Material - Cable glands seal	CR / NBR
Material - Cap nut	PA UL94 V0

Data sheet
E-DAT Industry IP67 V6 plug

Page 4/7

P/N
130906-03-E
EAN 4250184105381

2015-06-07

Technical Data

Environmental conditions

Particulate ingress	IP6X with protective housing
Liquid ingress/immersion	IPX7 with protective housing

Certifications

Gost Certification	yes
--------------------	-----

Approvals

RoHS	compliant
------	-----------

The product meets the following standards

Generic cabling systems

General requirements	ISO/IEC 11801 Ed.2.2: 2011-06 DIN EN 50173-1: 2011-09 TIA/EIA 568-C
Office buildings	ISO/IEC 11801 Ed.2.2: 2011-06 DIN EN 50173-2: 2011-09 TIA/EIA 568-C
Industrial area	ISO/IEC 24702 DIN EN 50173-3: 2011-09 TIA/EIA 1005
Living units	ISO/IEC 15018 DIN EN 50173-4: 2011-09 TIA/EIA 570-B

Connectors for electronic equipment

Rectangular connectors	DIN EN 61076-3-106
------------------------	--------------------

Degrees of Protection Provided by Enclosures	IEC 60529
--	-----------

Interference proof

Immunity for industrial environments	DIN EN 61000-6-2:2006-03
--------------------------------------	--------------------------

Emission proof

Electromagnetic emission for residential, commercial and light-industrial environments	DIN EN 61000-6-3:2011-09
--	--------------------------

Classifications

ETIM 5.0	EC000766
----------	----------

© 2015 METZ CONNECT - Technische Änderungen vorbehalten! Subject to modifications! Sous réserve de modifications techniques!



Technical Data

Packing details

Type of packaging	10 pc(s) / box
Packaging unit - Weight (gram)	392.00 g
Packaging unit - Weight (pound)	0.86 lb
Packaging dimension (W x H x D)	247.00 x 161.00 x 58.00 mm
Packaging dimension (W x H x D)	9.72 x 6.34 x 2.28 in.



Accessories

P/N	Designation
130906-V3-I	Locking clamp for IP67 V6 plug, light gray
130907-E	Crimp pliers for E-DAT Industry IP20 RJ45 plug
130906-V5-I	Locking clamp for IP67 V6 plug, yellow
130906-V6-I	Locking clamp for IP67 V6 plug, blue
130906-V7-I	Locking clamp for IP67 V6 plug, green
130906-V8-I	Locking clamp for IP67 V6 plug, red



**Data sheet
E-DAT Industry IP67 V6 plug**

Page 7/7

P/N
130906-03-E
EAN 4250184105381

2015-06-07

Illustrations

Dimensional drawing

