

Data Sheet

PM025xxVBHC

Page 1/5

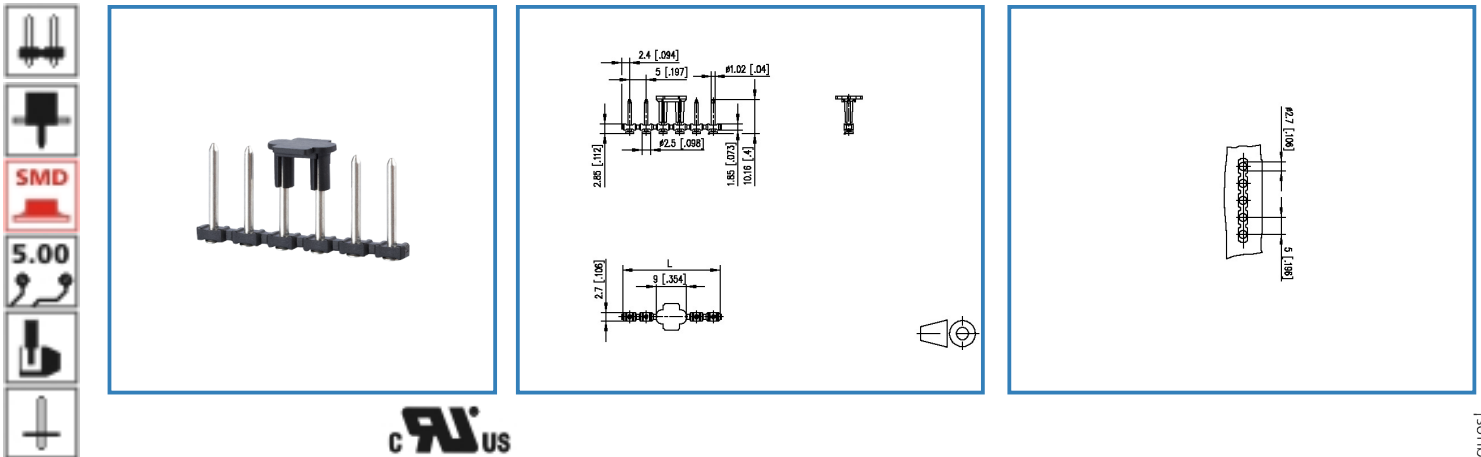
P/N

313181xx

xx=number of poles

2018/02/02

Illustration



see enlarged drawing at the end of the document

Product specification

- pin header, SMT solderable
- centerline 5.00 mm, direction of connection vertical 0°
- fittable without loss of poles
- color black
- Tape & Reel packaging

© 2017 METZ CONNECT - Technische Änderungen vorbehalten! Subject to modifications! Sous réserve de modifications techniques!



Data Sheet

PM025xxVBHC

Technical Data

General Data

Solder pin length	0 mm		
min. number of poles	2		
max. number of poles	12		
Insulating material class	CTI 400		
clearance/creepage dist.	2.5 mm		
protection category	IP 00		
Overvoltage category	III	III	II
Pollution degree	3	2	2
Rated voltage	160.0 V	320.0 V	320.0 V
Rated test voltage	2.5 kV	2.5 kV	2.5 kV

Approvals

 V / A	300 / 10
	2.5 kV / 3 /

Material

insulating material	PA46
flammability class	V0
Glow-Wire Flammability GWFI	-
Glow-Wire Flammability GWIT	-
contact pin material	CuZn
contact pin surface	Ni + Sn

Climatic properties

upper limit temperature	105 °C
lower limit temperature	-40 °C

General

solderability	Acc. to IPC/JEDEC J-STD-020D-MSL 1
Tolerance	ISO 2768 -mH



Data Sheet

PM025xxVBHC

Page 3/5

P/N

313181xx

xx=number of poles

2018/02/02

Matching Part to

P/N	Product name
311571	RP095xxRBWC Typ 157 mit Rasttechnik
311571XX-002730	RP095xxBBWC (Type 157 without ridge)
311571XX-002740	RP095xxHBWC Typ 157 mit Steg
311581 (on request)	RP095xxRDVC Typ 158
ASP145XX22-131 (on request)	SP145xxHBPC0001
ASP155XX22-131 (on request)	SP155xxHBPC0001

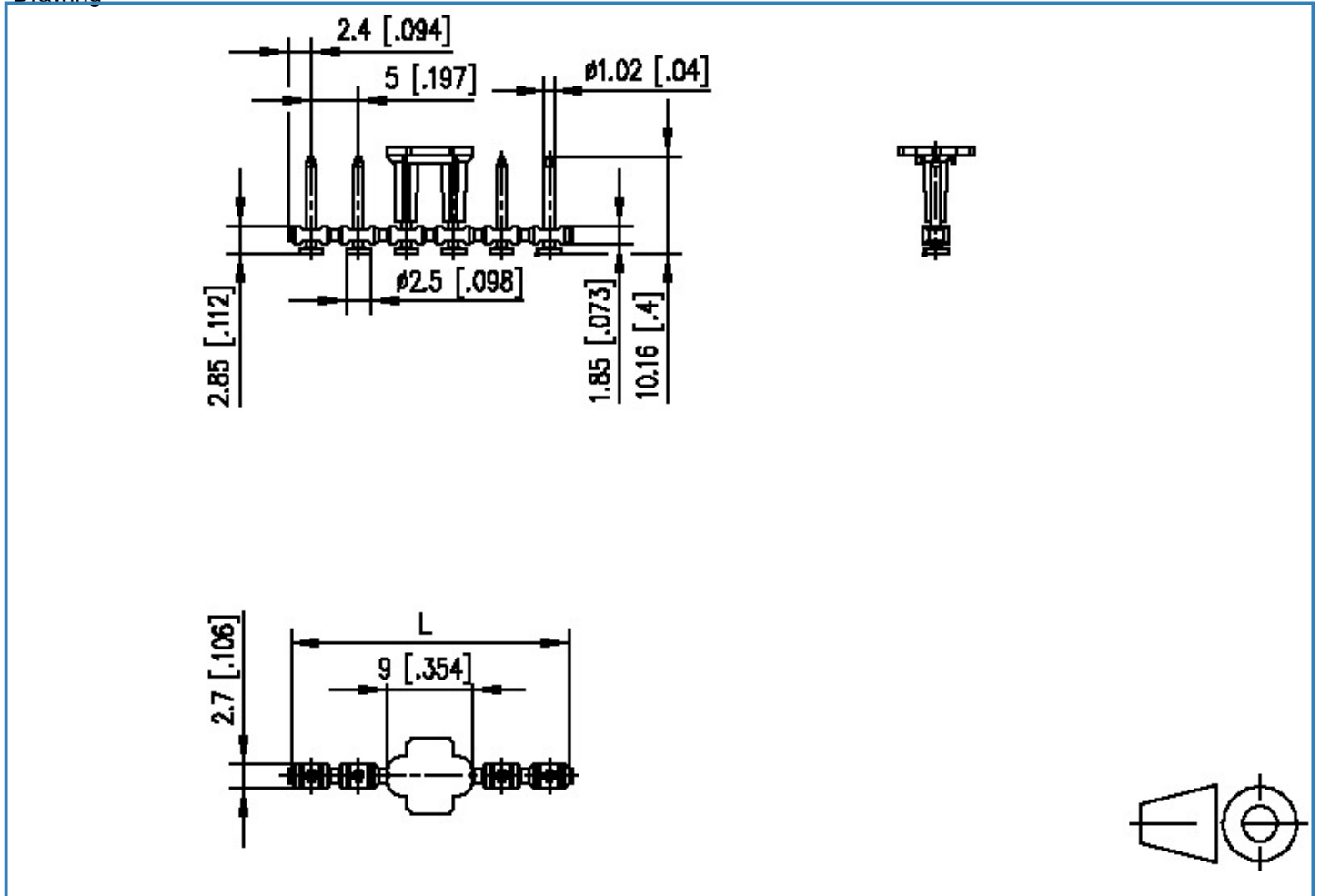


Data Sheet

PM025xxVBHC

Illustration

Drawing



$$L = (\text{pole size} - 1) \times \text{centerline} + 4.8 [0.189]$$

Data Sheet

PM025xxVBHC

Page 5/5

P/N

313181xx

xx=number of poles

2018/02/02

PCB Layout

