

Data sheet

OpDAT CM 19 inch 3RU subrack

Page 1/3

P/N

1528SBGT19-E

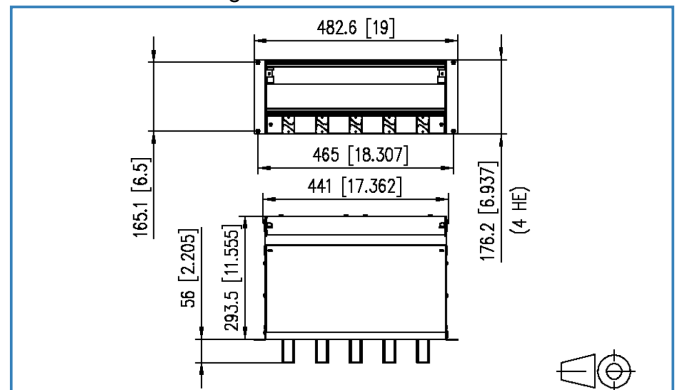
EAN 4250184181477

2017-06-02

Illustrations



Dimensional drawing



See enlarged drawings at the end of document

Product specification

- Aluminum subrack frame (19 inch/3+1RU/84HP) with integrated transfer tray (1RU) to be mounted in 19-inch racks
- Accepts up to 12 compact modules 3RU/7HP with up to 288 ports on 3RU
- Transfer tray to accommodate loose tube excess lengths and to store unused loose tubes, can be pulled-out backwards, with cable manager and 5 cable brackets
- With protection plate for the entry section of the loose tubes
- Fixing dimension: 465 mm (18.307 in.)
- Mounting dimension: WxHxD 19 inch x 4RU x 295 mm

Data sheet OpDAT CM 19 inch 3RU subrack

Page 2/3

P/N
1528SBGT19-E
EAN 4250184181477

2017-06-02

Technical Data

General Data

Fields of application	Structured building cabling, Data center
Design	Subrack
Color	metallike
Dimensions	
Dimension (L x W x H)	293.50 x 482.60 x 176.20 mm
Dimension (L x W x H)	11.555 x 19 x 6.937 in.
Inches	19 inches
Height unit	3RU

Materials and material properties

Material - Housing	Al (Aluminium)
--------------------	----------------

Approvals

RoHS	compliant
------	-----------



Data sheet OpDAT CM 19 inch 3RU subrack

Page 3/3

P/N
1528SBGT19-E
EAN 4250184181477

2017-06-02

Illustrations

Dimensional drawing

