

## RF 15 - Tactile switch, 1 LED spot-illumination, gold contacts

### 3.14.100.032/0000



#### General information

Color of lens	transparent
Recommended key grid	19.05 mm

#### Dimensions

Length	15 mm
Width	15 mm
Overall height	9.7 mm

#### Mechanical design

Mounting	soldering in PCB
Terminals	THT
Contact system	snap-action contact
Contact arrangement	1 NO
Contact materials	Au
Illumination	spot illumination 1 LED
LED color	green
LED type	3 mm

#### Mechanical characteristics

Operating force max.	2.9 <sup>+0.6</sup> N
Switching travel	0.5 <sup>+0.2</sup> mm
Robustness max.	with through-plated PCB 100 N

#### Electrical characteristics

Rated voltage min.	Au: 0.02 V, Ag: 3 V
Rated voltage max.	35 V
Rated current min.	Au: 0.01 mA, Ag: 0.1 mA
Rated current max.	Au: 100 mA, Ag: 250 mA
Rated power max. (ohmic load)	Au: 2 W, Ag: 12.5 W
Contact resistance when new max.	100 mΩ
Insulation resistance	10 <sup>9</sup> Ω

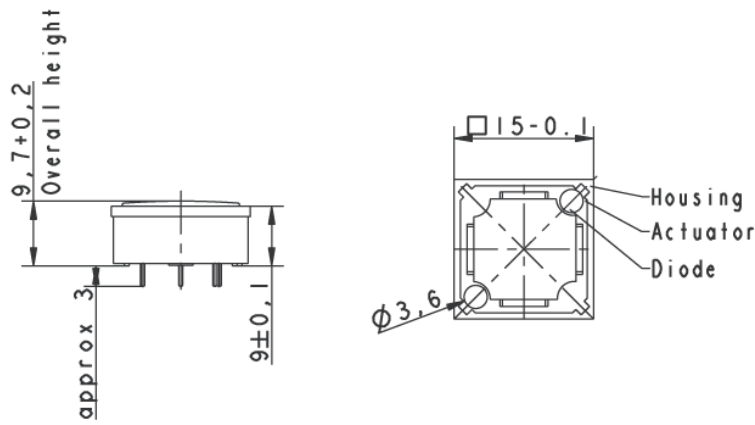
#### Other specifications

Ambient temp. operating min.	-25 °C
Ambient temp. operating max.	+70 °C
Environmental resistance	acc. to IEC 60068-2-14, -30, -33 and -78
Operating life min. (operations)	1,000,000 cycle
Solderability / solder heat resistance	according to DIN EN 60068-2-20
Wave soldering	260 °C max.
Manual soldering	350 °C / 5 sec. max.

---

ROHS compliant	yes
REACH compliant	yes

---



Lens red

