

Signal lamps with lamp socket - T 4.6, 9.1 mm, housing

1.02.157.021/0000



General information

Form of lens	round protruding
Diameter of collar	11 mm

Dimensions

Overall height	7 mm
Mounting depth	30.5 mm
Mounting hole	9.1 mm

Mechanical design

Mounting	ring nut
Terminals	solder terminals
Lamp socket	T 4.6
Lamp	filament lamp

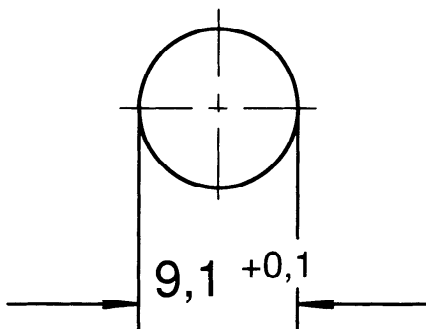
Electrical characteristics

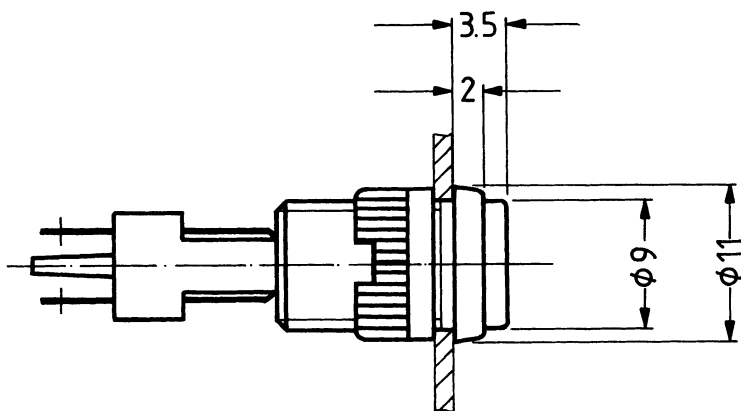
Voltage limit max.	42 V
Power limit max.	1 W

Other specifications

Degree of protection from front side	IP40 (DIN EN 60529)
Weight	1 g
ROHS compliant	yes
REACH compliant	yes

Mounting hole





Lens transparent colourless

